



Your contact details:

Title:

Name:

Company:

Customer no.

Street:

ZIP/postal code, city:

Country:

E-mail:

Phone:

Ordering spare parts

The spare parts for Type 3275A are listed on the next pages. This document can also be used for ordering:

1. Fill in your contact data and information on the product.
2. Enter the quantity of spare parts needed.
3. Click [Send form] button to attach the PDF form to an e-mail.
4. Attach additional information (e.g. invoice, photos) to the e-mail, if necessary.
5. Send e-mail to spareparts-de@samsongroup.com.

Either

Configuration ID (Var-ID):

or

SAMSON order no.:

Position in order:

or specifications on the nameplate

(description of the currently valid nameplate ► EB 8314-1)

Type designation:	<input type="text" value="3275A"/>
Material number:	<input type="text"/>
Actuator area:	<input type="text"/>
Connecting thread:	<input type="text"/>
Rated travel in mm:	<input type="text"/>
Permissible ambient temperature:	<input type="text"/>
Max. permissible pressure p_{max} in bar psi:	<input type="text"/> bar <input type="text"/> psi
Side-mounted handwheel:	<input type="text"/>
Special version with auxiliary spring:	<input type="text"/>

Send form

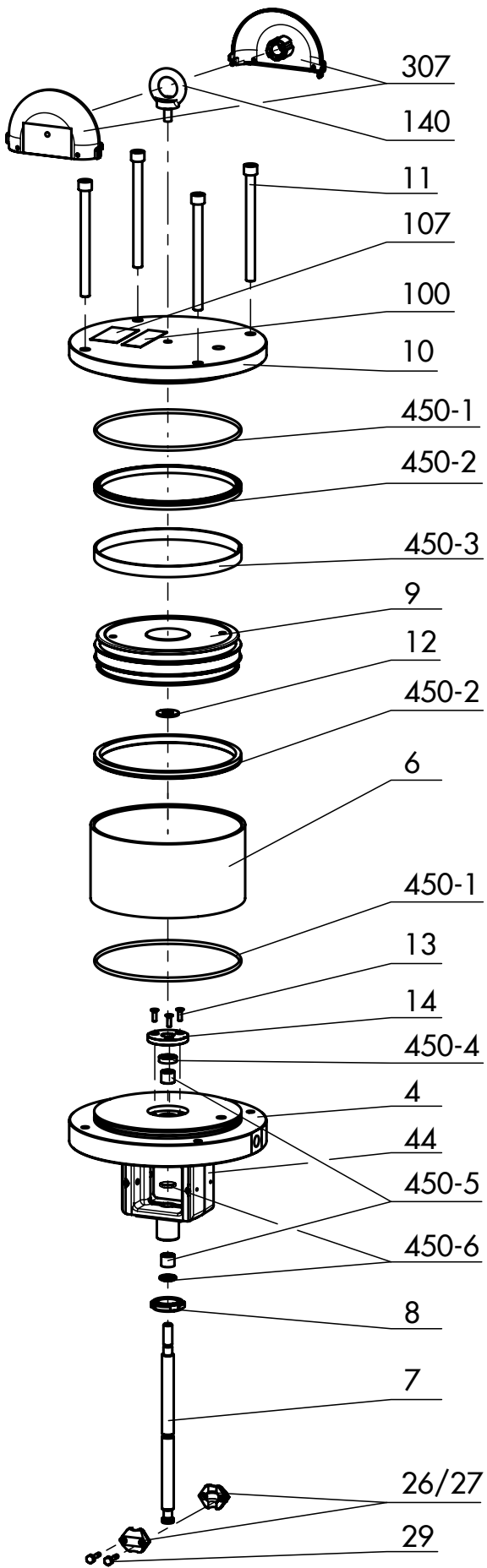
Print form

Clear form

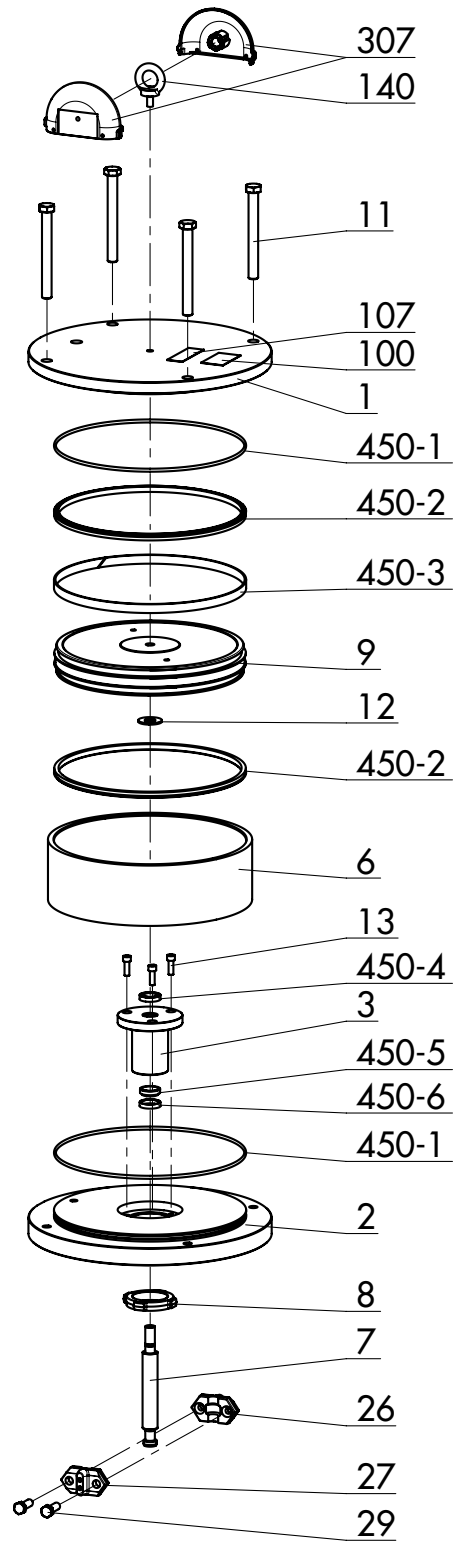
Edition August 2023

Spare Parts List

EL 8314-1 EN



Type 3275A Actuator (314, 380 and 490 cm²)



Type 3275A Actuator (804 cm²)

Spare part no.	Qty.	Part subject to wear ¹⁾	Purity requirements ²⁾
1			
2			
3			
4			
6			
7			
8			
9			
10			
11			
12			
13			
14			
26/ 27			
29			
44			
100			
107			
140			
307			
450		•	
450-1		•	
450-2		•	
450-3		•	
450-4		•	
450-5		•	
450-6		•	

- ¹⁾ Parts subject to wear are a subset of the spare parts, which are subjected to normal operational wear or fatigue.
- ²⁾ For certain applications (e.g. for oxygen service), this material is specified as "cleaned".

Specifications subject to change without notice
