

Spare Parts List for Type 3271 (1400-60 cm²)



Your contact details:

Title:

Name:

Company:

Customer no.

Street:

ZIP/postal code, city:

Country:

E-mail:

Phone:

Ordering spare parts

The spare parts for Type 3271 are listed on the next pages. This document can also be used for ordering:

1. Fill in your contact data and information on the product.
2. Enter the quantity of spare parts needed.
3. Click [Send form] button to attach the PDF form to an e-mail.
4. Attach additional information (e.g. invoice, photos) to the e-mail, if necessary.
5. Send e-mail to spareparts-de@samsongroup.com.

Either

Configuration ID (Var-ID):

or

SAMSON order no.:

Position in order:

or specifications on the nameplate

(description of the currently valid nameplate ► EB 8310-3)

Type number	3271	Fail-safe action
Country of origin		Manual operation
Serial number		Diaphragm material
Actuator area	1400-60 cm ²	Connecting thread
Bench range in bar and psi		Date of manufacture
Operating travel in mm		Operating medium
Operating range in bar and psi		
Permissible supply pressure p _{max} in bar or psi		

Send form

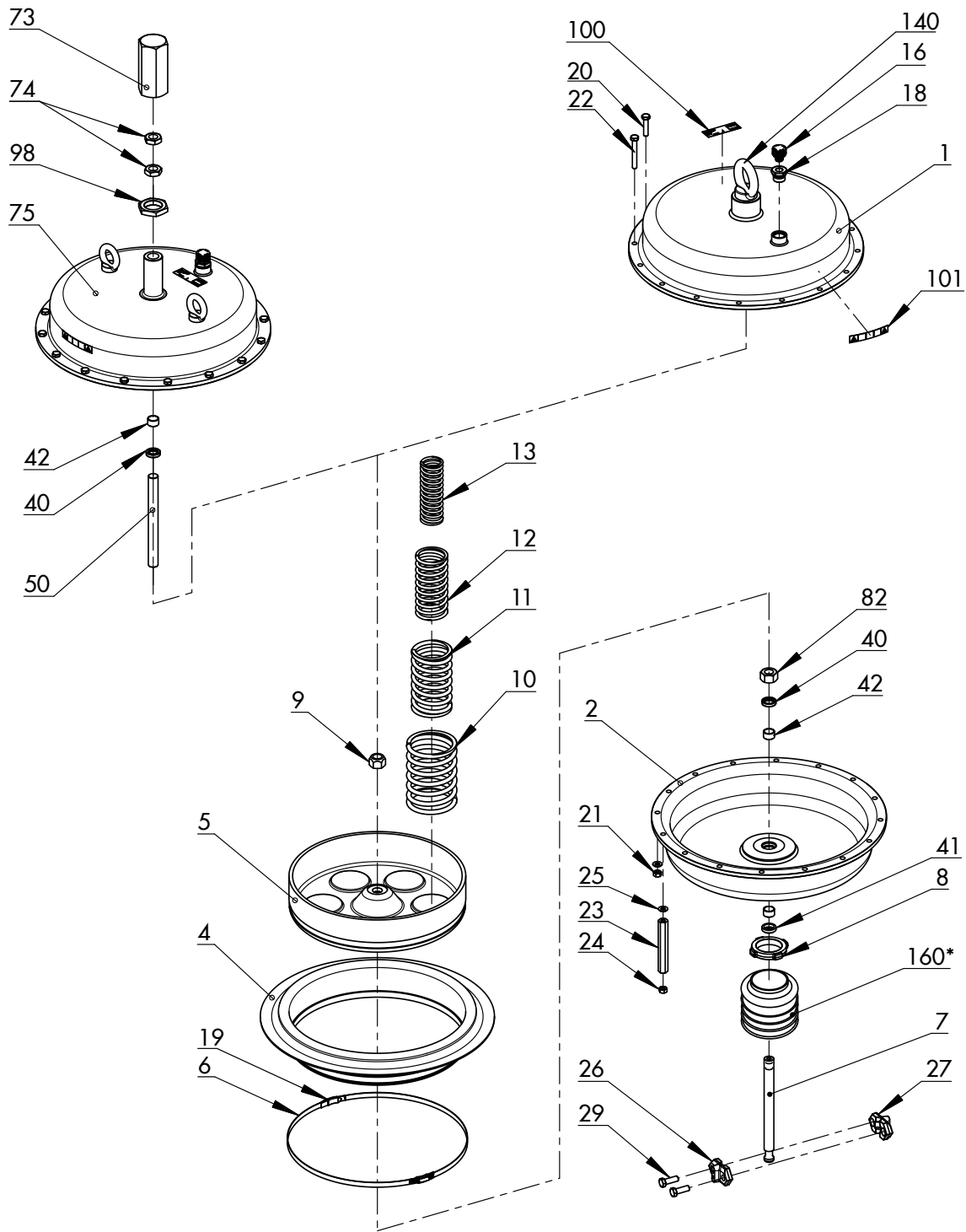
Print form

Clear form

Edition August 2020

Spare Parts List

EL 8310-3 EN



Spare part no.	Qty.	Filled in by SAMSON: material no.
1		
2		
4		
5		
6		
7		
8		
9		
10		
11		
12		
13		
16		
18		
19		
20		
21		
22		
23		
24		
25		
26		
27		
29		
40		
41		
42		
50		
73		
74		
75		
82		
87		
98		

Spare part no.	Qty.	Filled in by SAMSON: material no.
100		
101		
140		
160*		

1) "Stem retracts" direction of action only

Specifications subject to change without notice
