

Type 3244 Three-way Valve



Your contact details:

Title:

Name:

Company:

Customer no.

Street:

ZIP/postal code, city:

Country:

E-mail:

Phone:

Ordering spare parts

The spare parts for Type 3244 are listed on the next pages. This document can also be used for ordering:

1. Fill in your contact data and information on the product.
2. Enter the quantity of spare parts needed.
3. Click [Send form] button to attach the PDF form to an e-mail.
4. Attach additional information (e.g. invoice, photos) to the e-mail, if necessary.
5. Send e-mail to spareparts-de@samsongroup.com.

Either

Configuration ID (Var-ID):

or

SAMSON order no.:

Position in order:

or specifications on the nameplate

(description of the currently valid nameplate

▶ EB 8026)

Type designation:	3244
Material:	
Nominal size:	
Pressure rating:	
Flow coefficient:	
Seat-plug seal:	
Seat code:	
Used as:	Mixing valve Diverting valve
Version:	Standard bonnet With insulating section With bellows seal
Application:	NACE Oxygen Industrial gases Chlorine

Send form

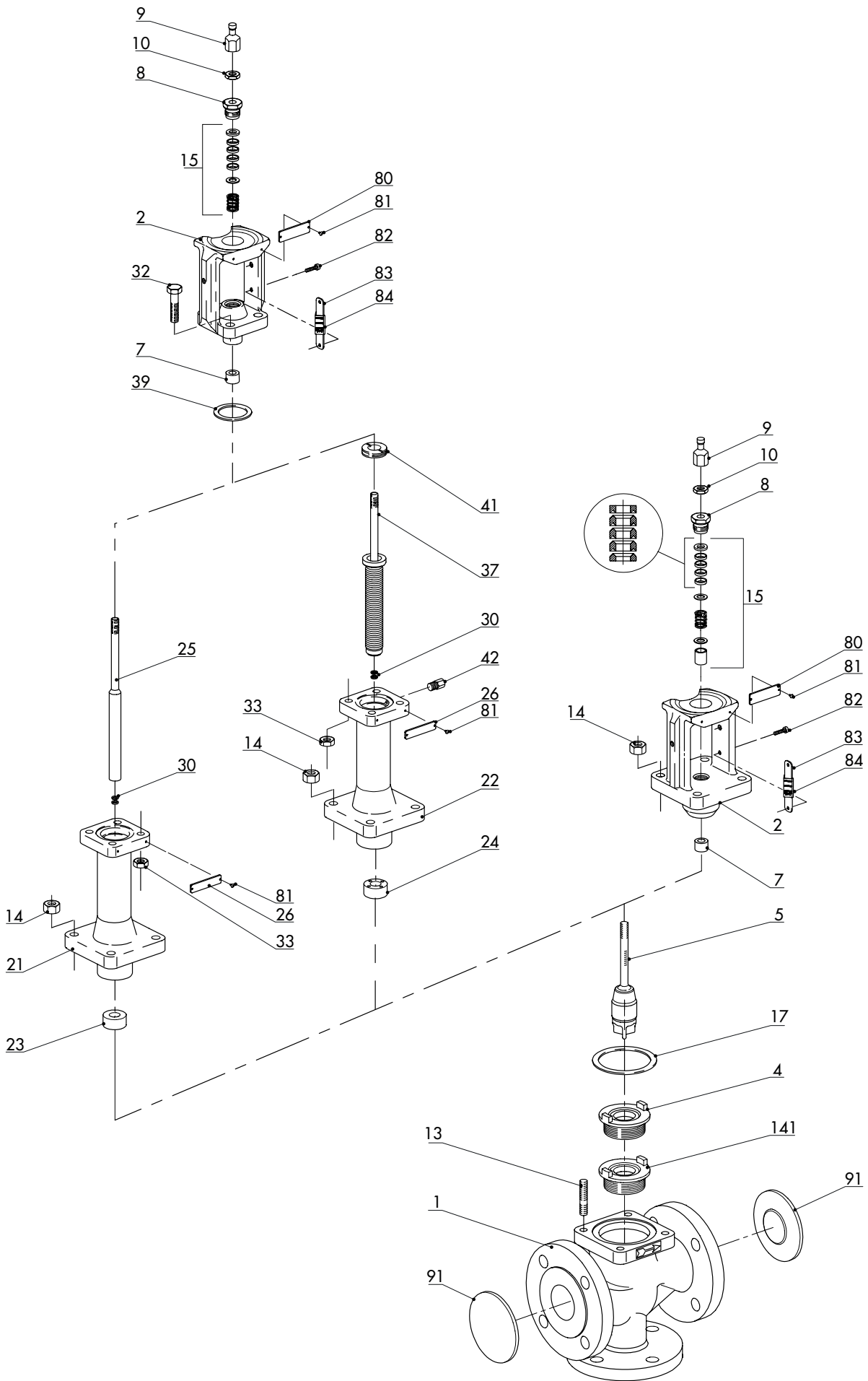
Print form

Clear form

Edition November 2024

Spare Parts List

EL 8026 EN



Spare part no.	Qty.	Part subject to wear ¹⁾	Purity requirements ²⁾
1			•
2			•
4		•	•
5		•	•
7			•
8		•	•
9			
10			
13		•	
14		•	
15		•	•
17		•	•
21			•
22			•
23			•
24			•
25			•
26			
30		•	•
32		•	
33		•	
37			•
39			•
41			•
42			•
43		•	•
80			
81			
82			
83			
84			
85			
91			•
141		•	•

- 1) Parts subject to wear are a subset of the spare parts, which are subjected to normal operational wear or fatigue.
- 2) For certain applications (e.g. for oxygen service), this material is specified as "cleaned".

Specifications subject to change without notice
