



## SH 8384-4 EN

Translation of original instructions



### Type 3730-4 Electropneumatic Positioner

Communication: PROFIBUS-PA

Edition July 2020



## Definition of signal words

### **DANGER**

*Hazardous situations which, if not avoided, will result in death or serious injury*

### **WARNING**

*Hazardous situations which, if not avoided, could result in death or serious injury*

### **NOTICE**

*Property damage message or malfunction*

### **Note**

*Additional information*

### **Tip**

*Recommended action*

## Purpose of this manual

The Safety Manual SH 8384-4 contains information relevant to the use of the Type 3730-4 Positioner in safety-instrumented systems according to IEC 61508 and IEC 61511. The safety manual is intended for planners, constructors and operators of safety-instrumented systems.

---

### **!** NOTICE

#### ***Risk of malfunction due to incorrect mounting, connection or start-up of the positioner.***

- ➔ *Refer to Mounting and Operating Instructions EB 8384-4 for details on how to mount the positioner, perform the electric and pneumatic connections as well as start up the positioner.*
  - ➔ *Observe the warnings and safety instructions written in the Mounting and Operating Instructions EB 8384-4.*
- 

## Further documentation

The documents listed below contain descriptions of the start-up, functioning and operation of the positioner. You can download these documents from the SAMSON website.

### Type 3730-4 Positioner

- ▶ T 8384-4: Data sheet
- ▶ EB 8384-4: Mounting and operating instructions
- ▶ KA 8384-5: Quick guide
- ▶ KH 8384-4: Configuration manual

### EXPERTplus diagnostics (Type 3730-4 Positioner in firmware version 1.50 and higher)

- ▶ T 8389: Data sheet
- ▶ EB 8389: Operating instructions

### EXPERT+ diagnostics (Type 3730-4 Positioner up to firmware version 1.49)

- ▶ T 8388: Data sheet
- ▶ EB 8388: Operating instructions

---

### **i** Note

*In addition to the positioner documentation, observe the technical documentation for the pneumatic actuator, control valve and other valve accessories.*

---

## Contents

<b>1</b>	<b>Scope .....</b>	<b>5</b>
1.1	General .....	5
1.2	Use in safety-instrumented systems .....	5
1.3	Versions and ordering data .....	5
1.4	Attachment .....	6
<b>2</b>	<b>Technical data (excerpt from EB 8384-4) .....</b>	<b>6</b>
<b>3</b>	<b>Safety-related functions .....</b>	<b>8</b>
3.1	Fail-safe action .....	8
3.2	Protection against unauthorized changes to the configuration .....	10
<b>4</b>	<b>Mounting, connection and start-up .....</b>	<b>10</b>
<b>5</b>	<b>Required conditions .....</b>	<b>10</b>
5.1	Selection .....	11
5.2	Mechanical and pneumatic installation .....	11
5.3	Electrical installation .....	12
5.4	Operation .....	12
<b>6</b>	<b>Proof testing .....</b>	<b>13</b>
6.1	Visual inspection to avoid systematic failure .....	13
6.2	Function testing .....	14
<b>7</b>	<b>Maintenance and repair .....</b>	<b>16</b>
<b>8</b>	<b>Safety-related data and certificates .....</b>	<b>17</b>

# 1 Scope

## 1.1 General

The Type 3730-4 Electropneumatic Positioner is a single-acting positioner for mounting on pneumatic rotary and linear actuators with spring-return mechanism. The positioner is used to position control valves.

## 1.2 Use in safety-instrumented systems

Observing the requirements of IEC 61508, the systematic capability of the pilot valve for emergency venting as a component in safety-instrumented systems is given.

Use of the positioner is possible on observing the requirements of IEC 61511 and the required hardware fault tolerance in safety-instrumented systems up to SIL 2 (single device/HFT = 0) and SIL 3 (redundant configuration/HFT = 1).

The positioner is regarded as a type A device according to IEC 61508-2 in view of its safety functions.

## 1.3 Versions and ordering data

All versions of the Type 3730-4 Positioner are suitable for use in safety-instrumented systems. The positioner can be fitted with options. The options enhance the safety-instrumented functions of the positioner. The optional additional equipment implements the safety function for safety-related end position monitoring (**limit switch SJ2-SN** option) and the alternative emergency venting (**solenoid valve** option).

The article code written on the nameplate provides details on the optional equipment of the positioner:

Positioner		Type 3730-4	x	x	x	0	x	0	x	x	1	x	0	0	x	0	x	x
<b>Additional equipment</b>																		
Inductive limit switch	Without		0															
	SJ2-SN (NC contact)		1		0													
Solenoid valve	Without			0														
	With, 24 V DC			4														

## Technical data (excerpt from EB 8384-4)

### 1.4 Attachment

The positioner is suitable for the following types of attachment in combination with various mounting parts:

- Direct attachment to SAMSON Type 3277 Linear Actuators
- Attachment to linear actuators according to IEC 60534-6 (NAMUR)
- Attachment to linear actuators according to VDI/VDE 3847
- Attachment to SAMSON Type 3510 Micro-flow Valve
- Attachment to rotary actuators according to VDI/VDE 3845, fixing levels 1 and 2

## 2 Technical data (excerpt from EB 8384-4)

<b>Type 3730-4 Positioner with PROFIBUS-PA communication</b>	
<b>The technical data for the explosion-protected devices may be restricted by the limits specified in the test certificates.</b>	
Communication	
Fieldbus	Data transmission conforming to PROFIBUS-PA specification acc. to IEC 61158 and IEC 61784 Certified DTM file acc. to FDT specification 1.2, suitable for integrating the positioner into frame applications that support the FDT/DTM concept. Other integrations, e.g. into SIMATIC PDM using EDD
Local Software requirements	SAMSON SSP interface and serial interface adapter TROVIS-VIEW with device module 3730-4
Permissible voltage supply	9 to 32 V DC · Powered by bus line Observe the limits in the test certificate for explosion-protected versions.
Maximum operating current	15 mA
Additional current in case of error	0 mA
Supply Supply air	1.4 to 7 bar (20 to 105 psi) Air quality acc. to ISO 8573-1: 2001 Max. particle size and quantity: Class 4 · Oil content: Class 3 · Humidity and water: Class 3 · Pressure dew point at least 10 K below the lowest ambient temperature to be expected
Signal pressure (output)	0 bar up to the supply pressure · Can be limited to 1.4/2.4/3.7 bar $\pm 0.2$ bar by software
Hysteresis	$\leq 0.3$ %

Type 3730-4 Positioner with PROFIBUS-PA communication					
<b>The technical data for the explosion-protected devices may be restricted by the limits specified in the test certificates.</b>					
Sensitivity	≤0.1 %				
Air output capacity	<table border="0"> <tr> <td>(supply)</td> <td>At Δp = 6 bar: 8.5 m<sub>n</sub><sup>3</sup>/h · At Δp = 1.4 bar: 3.0 m<sub>n</sub><sup>3</sup>/h · K<sub>Vmax</sub>(20 °C) = 0.09</td> </tr> <tr> <td>(exhaust)</td> <td>At Δp = 6 bar: 14.0 m<sub>n</sub><sup>3</sup>/h · At Δp = 1.4 bar: 4.5 m<sub>n</sub><sup>3</sup>/h · K<sub>Vmax</sub>(20 °C) = 0.15</td> </tr> </table>	(supply)	At Δp = 6 bar: 8.5 m <sub>n</sub> <sup>3</sup> /h · At Δp = 1.4 bar: 3.0 m <sub>n</sub> <sup>3</sup> /h · K <sub>Vmax</sub> (20 °C) = 0.09	(exhaust)	At Δp = 6 bar: 14.0 m <sub>n</sub> <sup>3</sup> /h · At Δp = 1.4 bar: 4.5 m <sub>n</sub> <sup>3</sup> /h · K <sub>Vmax</sub> (20 °C) = 0.15
(supply)	At Δp = 6 bar: 8.5 m <sub>n</sub> <sup>3</sup> /h · At Δp = 1.4 bar: 3.0 m <sub>n</sub> <sup>3</sup> /h · K <sub>Vmax</sub> (20 °C) = 0.09				
(exhaust)	At Δp = 6 bar: 14.0 m <sub>n</sub> <sup>3</sup> /h · At Δp = 1.4 bar: 4.5 m <sub>n</sub> <sup>3</sup> /h · K <sub>Vmax</sub> (20 °C) = 0.15				
Permissible ambient temperature	<p>–20 to +80 °C for all versions                      –45 to +80 °C with metal cable gland</p> <p><b>The temperature limits for the explosion-protected devices may be restricted by the limits specified in the test certificates.</b></p>				
Use in safety-instrumented systems (SIL)	Observing the requirements of IEC 61508, the systematic capability of the pilot valve for emergency venting as a component in safety-instrumented systems is given.				
Emergency venting at 0 V set point and using optional solenoid valve	Use is possible on observing the requirements of IEC 61511 and the required hardware fault tolerance in safety-instrumented systems up to SIL 2 (single device/HFT = 0) and SIL 3 (redundant configuration/HFT = 1).				
Options for Type 3730-4					
<b>Solenoid valve</b> · Approval acc. to IEC 61508/SIL					
Input	24 V DC · Maximum 40 V · Reverse polarity protection · Static destruction limit 40 V  Power draw: $I = \frac{U - 5.7 \text{ V}}{3840 \Omega}$ (corresponding to 4.8 mA at 24 V/114 mW)				
Signal	Signal '0' no pick-up <12 V · Signal '1' safe pick-up >19 V (emergency venting at 0 V)				
Service life	>5 x 10 <sup>6</sup> switching cycles				
K <sub>V</sub> coefficient	0.15				
<b>Inductive limit switch by Pepperl+Fuchs</b>	For connection to switching amplifier acc. to EN 60947-5-6				
SJ2-SN proximity switch	Measuring plate not detected: ≥3 mA · Measuring plate detected: ≤1 mA				

### 3 Safety-related functions

#### Emergency venting over the i/p converter (Fig. 1 path —————)

In automatic mode, the PD controller (3) compares the valve position to the control signal issued by the PROFIBUS communication. In case of a system deviation, the activation of the i/p converter is changed so that the actuator (1) is either vented or supplied with air. Fail-safe action is triggered when the electrical input (terminals marked "IEC 1158-2") is de-energized and the voltage at the i/p converter drops to 0 V. This causes the actuator to vent.

#### Emergency venting over the optional solenoid valve (Fig. 1 path .....)

The solenoid valve (12) is energized by a 24 V DC voltage signal. Fail-safe action is triggered when no signal (0 V DC) is applied to terminals 81/82. This causes the solenoid valve (12) to vent the output of the i/p converter to the atmosphere and causes the actuator to vent as well.

#### Safety-related end position monitoring over the optional inductive limit switch

(Fig. 1 path ————)

The inductive limit switch SJ2-SN (NAMUR NC contact) indicates the adjusted safety-related end position at terminals 41/42. ▶ EB 8384-4 for adjusting the limit switches.

### 3.1 Fail-safe action

Fail-safe action is triggered by the i/p converter or solenoid valve and upon supply air failure. The positioner fully discharges its pneumatic output to the atmosphere, causing the pneumatic actuator to be vented. As a result, the valve moves to the fail-safe position. The fail-safe position depends on how the springs are arranged in the pneumatic actuator (air-to-close or air-to-open).

When the air supply fails and the optional solenoid valve is de-energized, all positioner functions, except for open/closed-loop control, remain active (including diagnostics, position and status feedback).

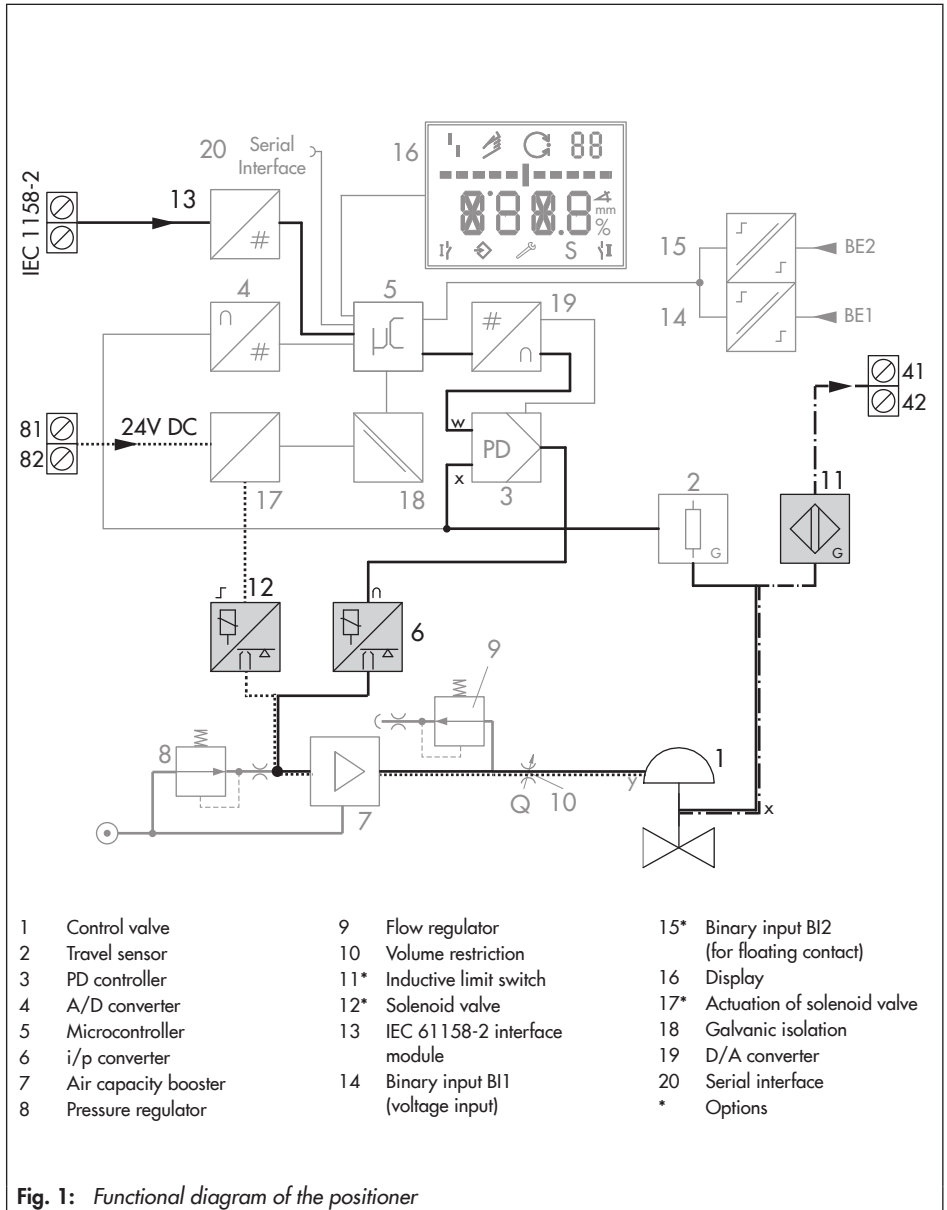
---

**i Note**

*The pneumatic output of the positioner can also be vented to the atmosphere over the software, e.g. by entering a corresponding set point. This procedure is not a safety-instrumented function.*

---



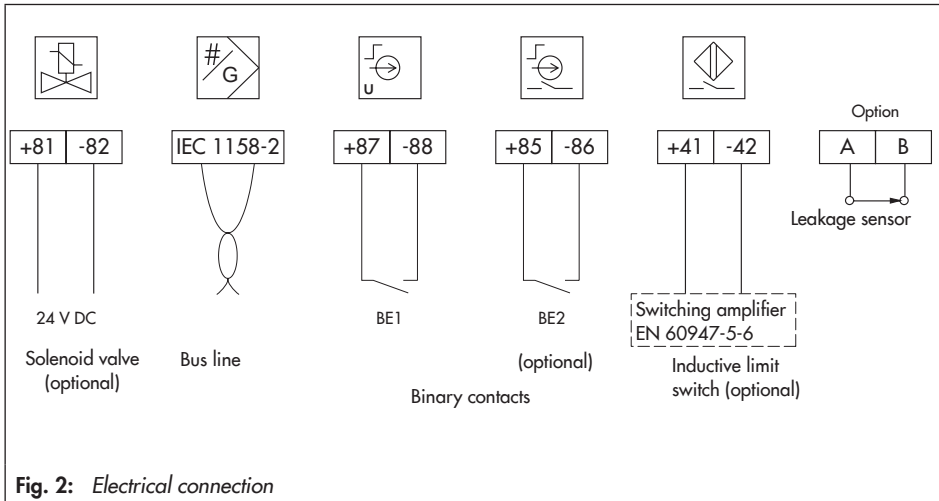


## 3.2 Protection against unauthorized changes to the configuration

A change to the configuration cannot affect the safety-instrumented function nor cause it to be deactivated.

## 4 Mounting, connection and start-up

Refer to Mounting and Operating Instructions ► EB 8384-4 for details on how to mount, perform the electric and pneumatic connections as well as start up the positioner. Only use the specified original mounting parts and accessories.



## 5 Required conditions

### **⚠ WARNING**

**Risk of malfunction due to incorrect selection or wrong installation and operating conditions.**

→ Only use control valves in safety-instrumented systems if the necessary conditions in the plant are fulfilled. The same applies to the mounted positioner.

## 5.1 Selection

- The required transit times of the control valve are observed.  
The transit times to be implemented are determined by the process engineering requirements.



**Tip**

*The minimum OPEN and CLOSE transit times can be read in Codes 40 and 41 after the positioner has been initialized.*

- The positioner is suitable for the prevailing ambient temperature.

Versions	Temperature range
All	-20 to +80 °C
With metal cable gland	-45 to +80 °C
<b>The temperature limits for the explosion-protected devices may be further restricted by the limits specified in the test certificates.</b>	


- The temperature limits are observed.

## 5.2 Mechanical and pneumatic installation

- The positioner is mounted properly as described in the mounting and operating instructions and connected to the air supply.



**Tip**

*Error codes 50 to 58 indicate incorrect attachment. For safety-instrumented systems, we recommend assigning the 'Failure' status to these errors to quickly recognize them when they occur (indicated by  on the display).*

- The maximum supply pressure does not exceed 7 bar.
- The pneumatic air supply meets the instrument air specifications.

Particle size and quantity	Oil content	Moisture and water
Class 4	Class 3	Class 3
≤5 µm and 1000/m <sup>3</sup>	≤1 mg/m <sup>3</sup>	Pressure dew point: at least 10 K below the lowest ambient temperature to be expected

## Required conditions



### Tip

We recommend installing a supply pressure regulator/filter upstream of the device. For example, the SAMSON Type 4708 Supply Pressure Regulator with 5 µm filter cartridge can be used.

---

- The supply air line has a minimum inside diameter of 4 mm.  
Select the cross section and length of the line to ensure that the supply pressure at the device on supplying air does not fall below the minimum limit.
- The positioner is mounted as prescribed.
- The vent opening at the back of the positioner remains open when the positioner is installed on site.

## 5.3 Electrical installation

- The positioner is connected to the electric power supply properly as described in the mounting and operating instructions.
- Only cables whose outside diameters are suitable for the cable glands are used.
- The electrical cables in Ex i circuits comply with the data that planning was based on.
- The cable glands and cover screws are fastened tightly to ensure that the degree of protection is met.
- The installation requirements for the applicable explosion protection measures are observed.
- The special conditions specified in the explosion protection certificates are observed.

## 5.4 Operation

- When the optional inductive limit switch is used, Code 38 is set to YES.
- The inductive limit switch is adjusted mechanically to meet the specifications.

## 6 Proof testing

The proof test interval and the extent of testing lie within the operator's responsibility. The operator must draw up a test plan, in which the proof tests and the interval between them are specified. We recommend summarizing the requirements of the proof test in a checklist.

---

### **⚠ WARNING**

***Risk of dangerous failure due to malfunction in the event of emergency (actuator is not vented or the valve does not move to the fail-safe position).***

→ *Only use devices in safety-instrumented systems that have passed the proof test according to the test plan drawn up by the operator.*

---

Regularly check the safety-instrumented function of the entire SIS loop. The test intervals are determined, for example on calculating each single SIS loop in a plant ( $PFD_{avg}$ ).

### 6.1 Visual inspection to avoid systematic failure

To avoid systematic failure, inspect the positioner regularly. The frequency and the scope of the inspection lie within the operator's responsibility. Take application-specific influences into account, such as:

- Dirt blocking the pneumatic connections
- Corrosion (destruction primarily of metals due to chemical and physical processes)
- Material fatigue
- Aging (damage caused to organic materials, e.g. plastics or elastomers, by exposure to light and heat)
- Chemical attack (organic materials, e.g. plastics or elastomer, which swell, leach out or decompose due to exposure to chemicals)

---

### **ⓘ NOTICE**

***Risk of malfunction due to the use of unauthorized parts.***

→ *Only use original parts to replace worn parts.*

---

### 6.2 Function testing

Regularly check the safety-instrumented function according to the test plan drawn up by the operator.

---

#### Note

Record any positioner faults and e-mail ([aftersaleservice@samsongroup.com](mailto:aftersaleservice@samsongroup.com)) them to SAMSON.

---

#### Emergency venting by applying a 0 V signal to terminals marked "IEC 1158-2"

1. Supply the positioner with air within the permissible supply pressure range (max. 7 bar) which allows the valve to move to the maximum travel/angle of rotation.
2. Connect the two-wire bus line to the bus connection terminals (marked "IEC 1158-2"), ensuring that the permissible supply voltage between 9 to 32 V DC (power by the bus line) is observed.
3. Switch the positioner to automatic mode (if it has not already been done).
4. Set the input signal over the PROFIBUS communication (terminals marked "IEC 1158-2") in such a way that the valve moves to the operating position. Check whether the valve moves to this position.

---

#### Tip

*The travel/angle of rotation in automatic mode can be read at the positioner in Code 0.*

---

5. Disconnect the supply voltage to achieve a supply voltage of 0 V at the bus connection terminals (marked "IEC 1158-2"). This must cause the valve to move to its fail-safe position.
6. Check whether the actuator is fully vented within the demanded time.
7. Set the input signal over PROFIBUS communication (terminals marked "IEC 1158-2") in such a way that the valve moves to the approx. 50 % of its travel/angle of rotation. Check whether the valve moved to this position.
8. Disconnect the supply voltage to achieve a supply voltage of 0 V at the bus connection terminals (marked "IEC 1158-2"). This must cause the valve to move to its fail-safe position.
9. Check whether the actuator is fully vented within the demanded time.

**Tip**

*Connect a pressure gauge to check that the actuator has completely vented.*

---

**Emergency venting by applying a 0 V signal to terminals 81/82 (solenoid valve):**

1. Supply the positioner with air within the permissible supply pressure range (max. 7 bar) which allows the valve to move to the maximum travel/angle of rotation.
  2. Connect the two-wire bus line to the bus connection terminals (marked "IEC 1158-2"), ensuring that the permissible supply voltage between 9 to 32 V DC (power by the bus line) is observed.
  3. Switch the positioner to automatic mode (if it has not already been done).
  4. Supply the solenoid valve with a voltage >19 V DC (terminals 81/82).
  5. Set the input signal over the PROFIBUS communication (terminals marked "IEC 1158-2") in such a way that the valve moves to the operating position.
  6. Set the voltage to 0 V DC (terminals 81/82).
  7. Check whether the actuator is fully vented within the demanded time.
- 

**Tip**

*Connect a pressure gauge to check that the actuator has completely vented.*

---

**Safety-related end position monitoring**

1. Supply the positioner with air within the permissible supply pressure range (max. 7 bar) which allows the valve to move to the maximum travel/angle of rotation.
  2. Connect the two-wire bus line to the bus connection terminals (marked "IEC 1158-2"), ensuring that the permissible supply voltage between 9 to 32 V DC (power by the bus line) is observed.
  3. Switch the positioner to automatic mode (if it has not already been done).
  4. Set the input signal over PROFIBUS communication (terminals marked "IEC 1158-2") in such a way that the valve moves to the approx. 50 % of its travel/angle of rotation.
  5. Set the input signal (terminals marked "IEC 1158-2") over the PROFIBUS communication in such a way that the valve moves to the end position.
  6. Check whether a signal is issued at terminals 41/42 when the valve has reached the end position.
-

## Maintenance and repair

### Proof test

A full stroke test must be performed as the proof test. The following value can be used for Proof Test Coverage to calculate  $PFD_{avg}$ :

PTC (Proof Test Coverage) = 92 % for a proof test

## 7 Maintenance and repair

Only perform the work on the positioner described in ► EB 8384-4.

---

### ! NOTICE

***Safety-instrumented function will be impaired if repair work is performed incorrectly.***

→ *Only allow trained staff to perform service and repair work.*

---

For devices operated in the low demand mode, a useful lifetime of 11 years (plus 1.5 years storage time) is confirmed by TÜV Rheinland® from the date of manufacture while taking into account the specific conditions of use specified in the Safety Manual and the Mounting and Operating Instructions.

The results of the proof test must be assessed and the maintenance scheduled based on it. In particular, after changes (e.g. signs of aging in elastomers, changed switching times or leakage etc.), it is essential that the manufacturer performs maintenance or repair work on the device.

MTC (Maintenance Coverage) > 99 %



## 8 Safety-related data and certificates

PSTC (Partial Stroke Test Coverage)	68 %
PTC (Proof Test Coverage)	92 %
MTC (Maintenance Coverage)	>99 %

Further safety-related data are listed in the following certificate.

# Certificate



SIL/PL  
Capability

www.tuv.com  
ID: 9600000000

No.: 968/V 1161.02/22

**Product tested** Electro pneumatic positioners **Certificate holder** SAMSON AG  
Weismüllerstr. 3  
60314 Frankfurt / Main  
Germany

**Type designation** see Revisionlist

**Codes and standards** IEC 61508 Parts 1-2 and 4-7:2010

**Intended application** Safety Function: Safe venting (and safe indication of the end positions)  
The positioners are suitable for use in a safety instrumented system up to SIL 2 (low demand mode).  
Under consideration of the minimum required hardware fault tolerance HFT = 1 the positioners may be used in a redundant architecture up to SIL 3 according to IEC 61508 and IEC 61511:2016 + AMD1:2017.

**Specific requirements** The instructions of the associated Installation, Operating and Safety Manual shall be considered.


Summary of test results see back side of this certificate.

The issue of this certificate is based upon an evaluation in accordance with the Certification Program CERT FSP1 V1.0:2017 in its actual version, whose results are documented in Report No. 968/V 1161.02/22 dated 2022-08-25. This certificate is valid only for products, which are identical with the product tested.

TÜV Rheinland Industrie Service GmbH  
Bereich Automation  
Funktionale Sicherheit

Köln, 2022-09-08

Certification Body Safety & Security for Automation & Grid

  
Dipl.-Ing. (FH) Wolf Rückwart

TÜV Rheinland Industrie Service GmbH, Am Grauen Stein, 51109 Köln, Germany  
Tel.: +49 221 686-1736, Fax: +49 221 686-1036, E-Mail: [cert@de-embn@ab.tuv.com](mailto:cert@de-embn@ab.tuv.com)

[www.fs-products.com](http://www.fs-products.com)  
[www.tuv.com](http://www.tuv.com)

 **TÜVRheinland®**  
Precisely Right.

Holder: SAMSON AG  
Welsmüllerstraße 3  
60314 Frankfurt am Main  
Germany

Product tested: Electropneumatic positioners  
3730-0, 3730-1, 3730-2, 3730-3, 3730-4, 3730-5,  
3730-8<sup>3</sup>, TROVIS SAFE 3730-8<sup>3</sup>

3731-3<sup>4</sup>, TROVIS SAFE 3731-3<sup>4</sup>, 3731-5

#### Results of Assessment

Hardware Fault Tolerance	HFT	0
Route of Assessment		2 <sub>u</sub> / 1 <sub>s</sub>
Type of Sub-system		Type A
Mode of Operation		Low Demand Mode

#### Safe venting via lip-converter- all above mentioned types with or without

Lambda Dangerous Undetected <sup>1</sup>	$\lambda_{DU}$	9,58 E-08 / h	96 FIT
Average Probability of Failure on Demand <sup>2</sup>	$PFD_{avg}(T_i)$	4,18 E-04	

#### Safe venting via forced venting (3730-8, TROVIS SAFE 3730-8)

Lambda Dangerous Undetected <sup>1</sup>	$\lambda_{DU}$	9,58 E-08 / h	96 FIT
Average Probability of Failure on Demand <sup>2</sup>	$PFD_{avg}(T_i)$	4,18 E-04	

#### Safe venting solenoid valve (3730-2, 3730-3, 3730-4, 3730-5, 3730-8, TROVIS SAFE 3730-8)

Lambda Dangerous Undetected <sup>1</sup>	$\lambda_{DU}$	8,83 E-08 / h	88 FIT
Average Probability of Failure on Demand <sup>2</sup>	$PFD_{avg}(T_i)$	3,87 E-04	

#### Safe Indication of the end positions (3730-1, 3730-2, 3730-3, 3730-4, 3730-5, 3730-8, TROVIS SAFE 3730-8)

Lambda Dangerous Undetected <sup>1</sup>	$\lambda_{DU}$	7,43 E-08 / h	74 FIT
Average Probability of Failure on Demand <sup>2</sup>	$PFD_{avg}(T_i)$	3,28 E-04	

<sup>1</sup> assumed Diagnostic Coverage DC = 0 %

<sup>2</sup> assumed Proof Test Interval  $T_i$  = 1 year

<sup>3</sup> The types 3730-6 and TROVIS SAFE 3730-6 optionally have switch-off thresholds of < 3.8 mA or < 4.4 mA

<sup>4</sup> The types 3731-3 and TROVIS SAFE 3731-3 optionally have switch-off thresholds of < 3.8 mA

#### Origin of values

The stated failure rates are the result of an FMEA with tailored failure rates for the design and manufacturing process.

Furthermore the results have been verified by qualification tests and field-feedback data of the last 5 years.

Failure rates include failures that occur at a random point in time and are due to degradation mechanisms such as ageing.

The stated failure rates do not release the end-user from collecting and evaluating application-specific reliability data.

#### Systematic Capability

The development and manufacturing process and the functional safety management applied by the manufacturer in the relevant lifecycle phases of the product have been audited and assessed as suitable for the manufacturing of products for use in applications with a maximum Safety Integrity Level of 3 (SIL 3).

#### Periodic Tests and Maintenance

The given values require periodic tests and maintenance as described in the Safety Manual.

The operator is responsible for the consideration of specific external conditions (e.g. ensuring of required quality of media, max. temperature, time of impact), and adequate test cycles.

**Revision List**  
**referred to on Certificate No.: 968/V 1161.02/22**  
**Certified Product: Electromagnetic positioners**



**Safety related modules / components**

Type Designation	Description	Report-No.:	Certification Status
3730-0	Electropneumatic positioner	968/V 1161.00/20	Valid
3730-1	Electropneumatic positioner	968/V 1161.00/20	Valid
3730-2	Electropneumatic positioner	968/V 1161.00/20	Valid
3730-3	Electropneumatic positioner	968/V 1161.00/20	Valid
3730-4	Electropneumatic positioner	968/V 1161.00/20	Valid
3730-5	Electropneumatic positioner	968/V 1161.00/20	Valid
3730-6	Electropneumatic positioner	968/V 1161.00/20	Valid
TROVIS SAFE 3730-6	Electropneumatic positioner	968/V 1161.00/20	Valid
3731-3	Electropneumatic positioner	968/V 1161.00/20	Valid
TROVIS SAFE 3731-3	Electropneumatic positioner	968/V 1161.00/20	Valid
3731-5	Electropneumatic positioner	968/V 1161.00/20	Valid

**Manufacturing locations**

Type Designation	Description	Report-No.:	Certification Status
SAMSON AG	Weismüllerstraße 3 60314 Frankfurt am Main	968/V 1161.00/20	Valid
Samson Controls Solutions (Beijing) Co., Ltd.	Building 1, No. 15, Yong Chang Nan Lu, BDA, Beijing, 100176, P.R. China	968/V 1161.02/22	Valid

SAMSON AG  
 Weismüllerstraße 3  
 60314 Frankfurt am Main

TÜV Rheinland Industrie Service GmbH  
 Automation - Functional Safety (AFS)  
 Am Grauen Stein  
 51105 Köln / Germany

**Revision List**  
**referred to on Certificate No.: 968/V 1161.02/22**  
**Certified Product: Electromagnetic positioners**



**Safety Manual**

Document No.	Description	Report-No.:	Certification Status
e8384mde 3730-0.pdf	Safety manual for type 3730-0	968/V 1161.00/20	Valid
e8384ode 3730-1.pdf	Safety manual for type 3730-1	968/V 1161.00/20	Valid
e8384qde 3730-2.pdf	Safety manual for type 3730-2	968/V 1161.00/20	Valid
e8384sde 3730-3.pdf	Safety manual for type 3730-3	968/V 1161.00/20	Valid
e8384nde 3730-4.pdf	Safety manual for type 3730-4	968/V 1161.00/20	Valid
e8384pde 3730-5.pdf	Safety manual for type 3730-5	968/V 1161.00/20	Valid
e8384rde 3730-6.pdf	Safety manual for type 3730-6	968/V 1161.00/20	Valid
e8384bde TROVIS SAFE 3730-6.pdf	Safety manual for type TROVIS SAFE 3730-6	968/V 1161.00/20	Valid
e8387yde 3731-3.pdf	Safety manual for type 3731-3	968/V 1161.00/20	Valid
e8387xde. TROVIS SAFE 3731-3.pdf	Safety manual for type TROVIS SAFE 3731-3	968/V 1161.00/20	Valid
e8387zde 3731-5.pdf	Safety manual for type 3731-5	968/V 1161.00/20	Valid

SAMSON AG  
 Weismüllerstraße 3  
 60314 Frankfurt am Main

TÜV Rheinland Industrie Service GmbH  
 Automation - Functional Safety (AFS)  
 Am Grauen Stein  
 51105 Köln / Germany

**Revision List**  
**referred to on Certificate No.: 968/V 1161.02/22**  
**Certified Product: Electromagnetic positioners**



**Drawings**

Document No.	Revision	Description	Report-No.:	Certification Status
GI03_1040_0002_8.pdf	8.a / 20.02.2015	Drawing for type 3730-0	968/V 1161.00/20	Valid
GI03_1040_0018_8.pdf	8.a / 20.02.2015	Drawing for type 3730-1	968/V 1161.00/20	Valid
GI03_1040_0013_11.pdf	11.a / 19.02.2015	Drawing for type 3730-2	968/V 1161.00/20	Valid
GI03_1040_0007_15.pdf	15.a / 18.11.2016	Drawing for type 3730-3	968/V 1161.00/20	Valid
GI03_1040_0014_11.pdf	11.a / 19.02.2015	Drawing for type 3730-4	968/V 1161.00/20	Valid
GI03_1040_0015_10.pdf	10.a / 20.02.2015	Drawing for type 3730-5	968/V 1161.00/20	Valid
GI01_1040_0347_6.pdf	6.a / 18.11.2016	Drawing for type 3730-6	968/V 1161.00/20	Valid
GI01_1040_0347_6.pdf	6.a / 18.11.2016	Drawing for type TROVIS SAFE 3730-6	968/V 1161.00/20	Valid
1170-2964_SWD_000_13_de.pdf	13 / 16.04.2019	Drawing for type 3731-3	968/V 1161.00/20	Valid
1170-2964_SWD_000_13_de.pdf	13 / 16.04.2019	Drawing for type TROVIS SAFE 3731-3	968/V 1161.00/20	Valid
1170-2964_SWD_000_13_de.pdf	13 / 16.04.2019	Drawing for type 3731-5	968/V 1161.00/20	Valid

The content of this Revision List has been agreed between Manufacturer and Certification Body.

**Revision:**

Date	Rev.	Description / Changes	Author
2020-05-04	1.0	Initial creation, based on Report-No.: 968/V 1161.00/20	JCz/A-FS
2022-08-17	2.0	Addition of manufacturing facility in P.R. China Report-No.: 968/V 1161.02/22	JCz/A-FS

SAMSON AG  
 Weismüllerstraße 3  
 60314 Frankfurt am Main

TÜV Rheinland Industrie Service GmbH  
 Automation - Functional Safety (A-FS)  
 Am Grauen Stein  
 51105 Köln / Germany

**SH 8384-4 EN**



SAMSON AKTIENGESELLSCHAFT  
Weismüllerstraße 3 · 60314 Frankfurt am Main, Germany  
Phone: +49 69 4009-0 · Fax: +49 69 4009-1507  
samson@samsongroup.com · www.samsongroup.com