

MOUNTING AND OPERATING INSTRUCTIONS



EB 8310-5 EN

Translation of original instructions



Type 3271 and Type 3277 Pneumatic Actuators

Actuator area: 175v2, 350v2 and 750v2 cm²

Note on these mounting and operating instructions

These mounting and operating instructions (EB) assist you in mounting and operating the device safely. The instructions are binding for handling SAMSON devices. The images shown in this document are for illustration purposes only. The actual product may vary.

- ⇒ For the safe and proper use of these instructions, read them carefully and keep them for later reference.
- ⇒ If you have any additional questions not related to the contents of this document, contact SAMSON's After-sales Service (aftersaleservice@samsongroup.com).



Documents relating to the device, such as the mounting and operating instructions, are available on our website:

► <https://www.samsongroup.com/en/downloads/documentation>

Definition of signal words

⚠ DANGER

Hazardous situations which, if not avoided, will result in death or serious injury

⚠ WARNING

Hazardous situations which, if not avoided, could result in death or serious injury

ⓘ NOTICE

Property damage message or malfunction

i Note

Additional information

💡 Tip

Recommended action

1	Safety instructions and measures.....	5
1.1	Notes on possible severe personal injury.....	6
1.2	Notes on possible personal injury.....	6
1.3	Notes on possible property damage.....	7
1.4	Warnings on the device.....	8
2	Markings on the device.....	9
2.1	Actuator nameplate.....	9
3	Design and principle of operation.....	10
3.1	Direction of action and signal pressure routing.....	11
3.2	Fail-safe action.....	11
3.2.1	Actuator stem extends (FA).....	11
3.2.2	Actuator stem retracts (FE).....	11
3.3	Accessories.....	12
3.4	Versions.....	12
3.5	Technical data.....	12
4	Shipment and on-site transport.....	17
4.1	Accepting the delivered goods.....	17
4.2	Removing the packaging from the actuator.....	17
4.3	Transporting and lifting the actuator.....	17
4.3.1	Transporting the actuator.....	17
4.3.2	Lifting the actuator.....	17
4.4	Storing the actuator.....	19
5	Installation.....	20
5.1	Preparation for installation.....	20
5.2	Mounting the device.....	20
5.2.1	Mounting the actuator onto the valve.....	20
5.2.2	Pneumatic connection.....	22
6	Start-up.....	23
6.1	Preloading the springs.....	24
6.1.1	Tensioning the springs.....	24
6.1.2	Increasing the actuator thrust.....	24
6.2	Adapting the travel range.....	24
6.3	Travel stop.....	25
6.3.1	Bottom travel stop (minimum travel).....	25
6.3.2	Top travel stop (maximum travel).....	25
6.4	Version with handwheel.....	26
6.4.1	Extending the actuator stem manually.....	26
6.4.2	Retracting the actuator stem manually.....	26
7	Operation.....	28
7.1	Throttling or on/off service.....	28
7.2	Manual mode (versions with handwheel only).....	28
7.3	Additional notes concerning operation.....	28
8	Malfunctions.....	29
8.1	Troubleshooting.....	29
8.2	Emergency action.....	29
9	Servicing and conversion.....	30
9.1	Periodic testing.....	31
9.2	Preparation for servicing or conversion work.....	31
9.3	Mounting the actuator on the valve after service or conversion work.....	31

Contents

9.4	Service work.....	31
9.4.1	Replacing the diaphragm.....	31
9.4.2	Replacing the actuator stem seals.....	33
9.5	Conversion work.....	34
9.5.1	Reversing the direction of action.....	34
9.6	Ordering spare parts and operating supplies.....	37
10	Decommissioning.....	38
11	Removal.....	39
11.1	Removing the actuator from the valve.....	39
11.2	Relieving the spring compression in the actuator.....	39
12	Repairs.....	41
12.1	Returning devices to SAMSON.....	41
13	Disposal.....	42
14	Certificates.....	43
14.1	Declaration of incorporation in compliance with Machinery Directive 2006/42/EC.....	44
15	Appendix.....	45
15.1	Tightening torques, lubricants and tools.....	45
15.2	Spare parts.....	45
15.3	After-sales service.....	47

1 Safety instructions and measures

Intended use

The SAMSON Type 3271 and Type 3277 Actuators are designed for operating a mounted globe valve. In combination with the valve, the actuator is used to shut off the flow of liquids, gases or vapors in the pipeline. Depending on the version, the actuator is suitable for throttling or on/off service. The actuator can be used in processing and industrial plants.

The actuator is designed to operate under exactly defined conditions (e.g. thrust, travel). Therefore, operators must ensure that the actuator is only used in operating conditions that meet the specifications used for sizing the actuator at the ordering stage. In case operators intend to use the actuator in applications or conditions other than those specified, contact SAMSON.

SAMSON does not assume any liability for damage resulting from the failure to use the device for its intended purpose or for damage caused by external forces or any other external factors.

⇒ Refer to the technical data and nameplate for limits and fields of application as well as possible uses.

Reasonably foreseeable misuse

The actuator is not suitable for the following applications:

- Use outside the limits defined during sizing and by the technical data
- Use outside the limits defined by the accessories connected to the actuator

Furthermore, the following activities do not comply with the intended use:

- Use of non-original spare parts
- Performing service and repair work not described

Qualifications of operating personnel

The actuator must be mounted, started up, serviced and repaired by fully trained and qualified personnel only; the accepted industry codes and practices must be observed. According to these mounting and operating instructions, trained personnel refers to individuals who are able to judge the work they are assigned to and recognize possible hazards due to their specialized training, their knowledge and experience as well as their knowledge of the applicable standards.

Personal protective equipment

SAMSON recommends wearing the following personal protective equipment when handling the pneumatic actuator:

- Protective gloves and safety footwear when mounting or removing the actuator
 - Eye protection and hearing protection while the actuator is operating
- ⇒ Check with the plant operator for details on further protective equipment.

Revisions and other modifications

Revisions, conversions or other modifications of the product are not authorized by SAMSON. They are performed at the user's own risk and may lead to safety hazards, for example. Furthermore, the product may no longer meet the requirements for its intended use.

Safety devices

The Type 3271 and Type 3277 Pneumatic Actuators do not have any special safety equipment.

Warning against residual hazards

To avoid personal injury or property damage, plant operators and operating personnel must prevent hazards that could be caused in the actuator by the signal pressure, stored spring energy or moving parts by taking appropriate precautions. Plant operators and operating personnel must observe all hazard statements, warning and caution notes in these mounting and operating instructions.

Responsibilities of the operator

Operators are responsible for proper use and compliance with the safety regulations. Operators are obliged to provide these mounting and operating instructions as well as the referenced documents to the operating personnel and to instruct them in proper operation. Furthermore, operators must ensure that operating personnel or third parties are not exposed to any danger.

Responsibilities of operating personnel

Operating personnel must read and understand these mounting and operating instructions as well as the referenced documents and observe the specified hazard statements, warnings and caution notes. Furthermore, operating personnel must be familiar with the applicable health, safety and accident prevention regulations and comply with them.

Referenced standards, directives and regulations

According to the ignition hazard assessment performed in accordance with Clause 5.2 of DIN EN ISO 80079-36, the non-electrical actuators do not have their own potential ignition source even in the rare incident of an operating fault. As a result, they do not fall within the scope of ATEX Directive 2014/34/EU.

⇒ For connection to the equipotential bonding system, observe the requirements specified in Clause 6.4 of DIN EN 60079-14 (VDE 0165-1).

The pneumatic actuators are partly completed machinery as defined in the Machinery Directive 2006/42/EC.

Referenced documents

The following documents apply in addition to these mounting and operating instructions:

- Mounting and operating instructions for mounted valve accessories (positioner, solenoid valve etc.)
- Mounting and operating instructions for the valve on which it is mounted
- ► AB 0100 for tools, tightening torques and lubricants
- Safety Manual ► SH 8310 for use in safety-instrumented systems
- If a device contains a substance listed as a substance of very high concern (SVHC) on the candidate list of the REACH regulation, the document "Additional Information on Your Inquiry/Order" is added to the SAMSON order documents. This document includes the SCIP number assigned to the devices concerned. This number can be entered into the database on the European Chemicals Agency (ECHA) website (► <https://www.echa.europa.eu/scip-database>) to find out more information on the SVHC contained in the device.

More information on material compliance at SAMSON can be found at ► www.samsongroup.com > About SAMSON > Environment, Social & Governance > Material Compliance

1.1 Notes on possible severe personal injury

⚠ DANGER

Risk of bursting due to incorrect opening of pressurized equipment or components.

Pneumatic actuators are pressure equipment that may burst when handled incorrectly. Flying projectile fragments or components can cause serious injury or even death.

⇒ Before starting any work on the actuator, depressurize all plant sections affected and the actuator. Release any stored energy.

1.2 Notes on possible personal injury

⚠ WARNING

Crush hazard arising from moving parts.

The actuator contains moving parts (actuator stem), which can injure hands or fingers if inserted into the actuator.

⇒ Do not touch the actuator stem or insert hands or finger into the yoke or beneath the actuator stem while the air supply is connected to the actuator.

⇒ Before working on the actuator, disconnect and lock the pneumatic air supply as well as the control signal.

⇒ Do not impede the movement of the actuator stem by inserting objects into the yoke.

⇒ Before unblocking the actuator stem after it has become blocked (e.g. due to seizing up after remaining in the same position for a long time), release any stored energy in the actuator (e.g. spring compression). See section 'Relieving the spring compression in the actuator' in Chapter 11.

⚠ WARNING

Risk of personal injury when the actuator vents.

The actuator is operated with air. As a result, air is vented during operation.

- ⇒ Install the control valve and mount the actuator in such a way that vent openings are not located at eye level and the actuator does not vent at eye level in the work position¹⁾.
- ⇒ Use suitable mufflers and vent plugs.
- ⇒ Wear eye and hearing protection when working near the actuator.

¹⁾ If not described otherwise in the valve documentation, the work position for the control valve is the front view looking onto the operating controls (including valve accessories).

⚠ WARNING

Risk of personal injury due to preloaded springs.

Actuators with preloaded springs are under tension. These actuators can be identified by several longer bolts with nuts protruding from the bottom diaphragm case. These bolts allow the spring compression to be relieved evenly on disassembling the actuator. Actuators with considerably preloaded springs are also labeled correspondingly (see Chapter 1.4).

- ⇒ Before starting any work on the actuator, which requires the actuator to be opened, or when the actuator stem has become blocked, relieve the compression from the preloaded springs (see section 'Relieving the spring compression in the actuator' in Chapter 11).

⚠ WARNING

Risk of personal injury due to incorrect operation, use or installation as a result of information on the actuator being illegible.

Over time, markings, labels and nameplates on the actuator may become covered with dirt or become illegible in some other way. As a result, hazards may go unnoticed and the necessary instructions not followed. There is a risk of personal injury.

- ⇒ Keep all relevant markings and inscriptions on the device in a constantly legible state.
- ⇒ Immediately renew damaged, missing or incorrect nameplates or labels.

1.3 Notes on possible property damage

📌 NOTICE

Risk of actuator damage due to incorrectly attached slings.

750 cm² actuator: The lifting eyelet/eyebolt or swivel hoist on the top diaphragm case is only intended for mounting and removing the actuator as well as lifting the actuator without the valve. Do not use the lifting eyelet/eyebolt and the swivel hoist to bear the load of the entire control valve assembly.

- ⇒ Do not attach load-bearing slings to the hand-wheel or travel stop.
- ⇒ Observe lifting instructions (see Chapter 4.3.2).

📌 NOTICE

Risk of actuator damage due to over- or under-torquing.

Observe the specified torques when tightening actuator parts. Over-torquing leads to parts wearing out more quickly. Parts that are not tightened far enough may loosen.

- ⇒ Observe the specified tightening torques (▶ AB 0100).

📌 NOTICE

Risk of actuator damage due to the use of unsuitable tools.

Certain tools are required to work on the actuator.

- ⇒ Only use tools approved by SAMSON (▶ AB 0100).

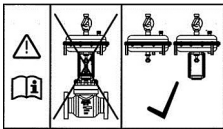
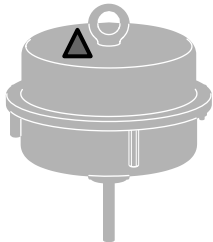
📌 NOTICE

Risk of actuator damage due to the use of unsuitable lubricants.

The lubricants to be used depend on the actuator material. Unsuitable lubricants may corrode and damage surfaces.

- ⇒ Only use lubricants approved by SAMSON (▶ AB 0100).


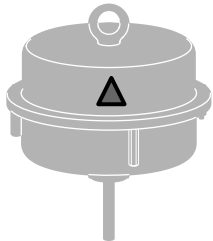
1.4 Warnings on the device

Warning symbols	Location on the device
	

Meaning of the warning

Warning against the incorrect use of the lifting eyelet/eyebolt or swivel hoist on SAMSON actuators.

Only attach load-bearing slings to them to vertically lift the actuator on its own (without the valve). Do not use the lifting eyelet/eyebolt or the swivel hoist to vertically lift the entire control valve assembly.

Warning symbols	Location on the device
	

Meaning of the warning

Warning to indicate that the springs in the actuator are preloaded.

Actuators with preloaded springs are under tension. Incorrect opening of the actuator can lead to personal injury due to the sudden and uncontrolled projection of parts. Before starting any work on the actuator, relieve the compression from the preloaded springs (see section 'Relieving the spring compression in the actuator' in Chapter 11).

2 Markings on the device

2.1 Actuator nameplate

The nameplate shown was up to date at the time of publication of this document. The nameplate on the device may differ from the one shown.

The nameplate is stuck to the diaphragm casing. The nameplate includes all details required to identify the device.

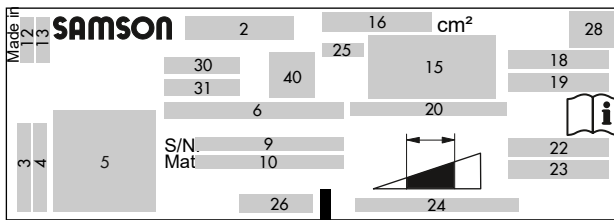
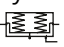
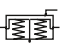



Fig. 1: Inscriptions on the nameplate of Type 3271/3277 Actuators with >120 cm² actuator area or Type 3372 Actuators with 350 cm² actuator area

Item	Inscription meaning
31	Version (optional), e.g. HW xx.xx.xx
40	Other certification (optional)

Item	Inscription meaning
2	Type designation
3	Company name
4	Company address (ZIP/postal code and city)
5	Identification code (scannable)
6	Device designation
9	Serial number
10	Material number
12	Country of origin
13	Month and year of manufacture
15	Symbol indicating fail-safe action:  Actuator stem extends (FA)  Actuator stem retracts (FE)
16	Actuator area in cm ²
18	Bench range in bar
19	Bench range in psi
20	Actuator travel in mm
22	Operating range in bar
23	Operating range in psi
24	Permissible operating pressure p_{max} in bar and/or psi
25	Diaphragm material
26	Type of connecting thread
28	Symbol for manual override:  (optional)
30	Version (optional), e.g. SAM001

3 Design and principle of operation

The SAMSON Type 3271 and Type 3277 Actuators with 175v2 to 750v2 cm² actuator areas are primarily mounted on SAMSON Series 240, 250, 280, 290 and SMS Valves (globe valves).

The actuators mainly consist of two diaphragm cases, a rolling diaphragm with diaphragm plate and internal springs. Several springs may be fitted into one another.

The signal pressure p_{st} creates the force $F = p_{st} \cdot A$ at the diaphragm surface A , which is opposed by the springs in the actuator. The bench range is determined by the number of actuator springs used and their compression, taking into account the rated travel. The travel H is proportional to the signal pressure p_{st} . The direction of action of the actuator stem depends on how the springs are installed in the actuator and the location of the signal pressure connection.

The v2 actuator construction has a full rolling diaphragm.

The stem connector clamps connect the actuator stem with the plug stem of the valve.

The travel of the version with an adjustable travel stop can be permanently limited by up to 50 % in both directions (actuator stem extends or retracts).

In contrast to the construction of the Type 3271 Actuator, the Type 3277 Actuator is fitted with an additional yoke on the bottom diaphragm case. The yoke allows the direct attachment of a positioner and/or limit switch. The benefit of this design is that the travel pick-off located inside the yoke is protected against external influences. Refer to the mounting and operating instructions of the valve accessories to be mounted for more details on their attachment and the parts required.

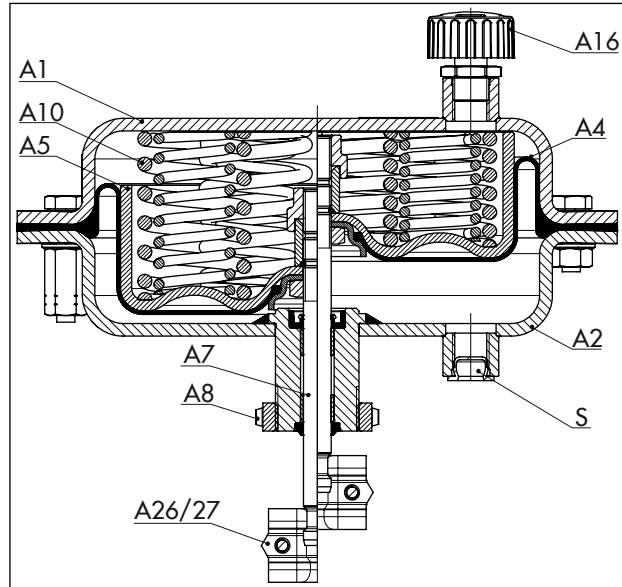


Fig. 2: Type 3271 Actuator, drawing showing an example with 175v2 cm² actuator area and "stem extends" direction of action

A1	Top diaphragm case	A8	Ring nut
A2	Bottom diaphragm case	A10	Spring
A4	Diaphragm	A16	Vent plug
A5	Diaphragm plate	A26/27	Stem connector clamp
A7	Actuator stem	S	Signal pressure connection

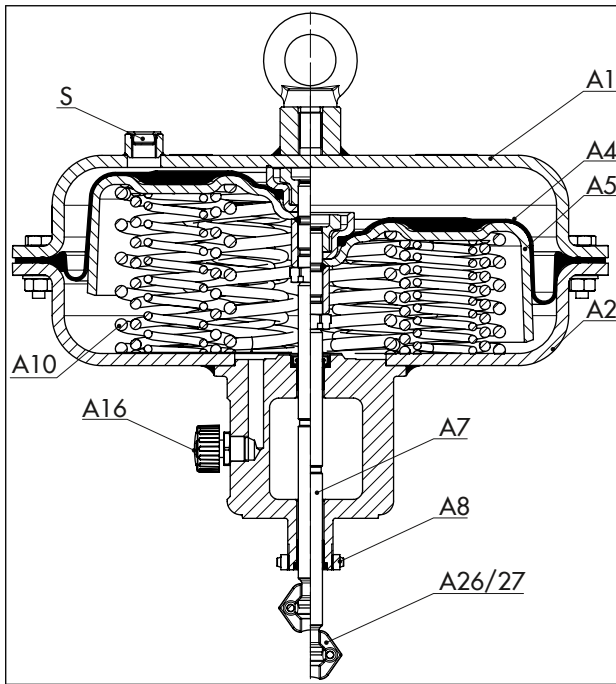


Fig. 3: Type 3277 Actuator, drawing showing an example with 750v2 cm² actuator area and “stem retracts” direction of action

A1	Top diaphragm case	A8	Ring nut
A2	Bottom diaphragm case	A10	Spring
A4	Diaphragm	A16	Vent plug
A5	Diaphragm plate	A26/	Stem connector clamp
A7	Actuator stem	27	
		S	Signal pressure connection

3.1 Direction of action and signal pressure routing

Direction of action

The direction of action is determined by how the springs and diaphragm plate are arranged in the actuator.

With “actuator stem extends” direction of action, the compressed air is applied to the signal pressure connection on the bottom diaphragm case.

With “actuator stem retracts” direction of action, the compressed air is applied to the signal pressure connection on the top diaphragm case.

Reversal of the direction of action

The direction of action for both Type 3271 and Type 3277 can be reversed (see Chapter 9).

Signal pressure routing of Type 3271

In the “actuator stem extends” version, the signal pressure is routed through the bottom signal pressure connection to the bottom diaphragm chamber and moves the actuator stem upward opposing the spring force.

In the “actuator stem retracts” version, the signal pressure is routed through the top signal pressure connection to the top diaphragm chamber and moves the actuator stem downward opposing the spring force.

Signal pressure routing of Type 3277

In the “actuator stem extends” version, a signal pressure connection is located on the side of the yoke which is connected to the bottom diaphragm chamber over an internal hole. The signal pressure moves the actuator stem upward opposing the spring force. A positioner can be connected using a connection block at this point. No additional piping to the actuator is required. Refer to the associated positioner documentation for more details.

In the “actuator stem retracts” version, similar to Type 3271, the signal pressure is routed through the top signal pressure connection to the top diaphragm chamber and moves the actuator stem downward opposing the spring force.

3.2 Fail-safe action

i Note

The listed fail-safe actions apply to SAMSON globe valves.

When the signal pressure is reduced or the air supply fails, the fail-safe position of the control valve depends on whether the springs are installed in the top or bottom diaphragm chamber.

Version with handwheel: In the active manual mode (the handwheel is not in the neutral position), the valve is not moved to the fail-safe position even upon failure of the air supply.

3.2.1 Actuator stem extends (FA)

When the signal pressure is reduced or the air supply fails, the springs move the actuator stem downward and close the globe valve. The valve opens when the signal pressure is increased enough to overcome the spring force.

3.2.2 Actuator stem retracts (FE)

When the signal pressure is reduced or the air supply fails, the springs move the actuator stem upward and open a mounted globe valve. The valve closes when the signal pressure is increased enough to overcome the spring force.

3.3 Accessories

Vent plug

Vent plugs are screwed into the exhaust air ports of pneumatic and electropneumatic devices. They ensure that any exhaust air that forms can be vented to the atmosphere (to avoid excess pressure in the device). Furthermore, the vent plugs allow air intake to prevent a vacuum from forming in the device (▶ AB 07).

Lifting fixture

A special lifting tool is available to lift small Type 3271/3277 Pneumatic Actuators with actuator areas between 120 and 355 cm² (▶ AB 0100).

Swivel hoist

Large pneumatic actuators (with >355v2 cm² actuator area) have a female thread on the top diaphragm case to allow an eyebolt or swivel hoist to be screwed into it. The eyebolt can be used to vertically lift the actuator and is included in the scope of delivery. The swivel hoist is designed for setting a control valve assembly upright or for lifting the actuator without valve. The swivel hoist can be ordered (accessories).

Actuator area in cm ²	Material number	
	Eyebolt (DIN 580)	Swivel hoist
750v2	8325-0131	8442-1017

Feedback connection (travel pick-off interface) according to DIN EN 60534-6-1

Various valve accessories according to DIN EN 60534-6-1 and NAMUR recommendation can be mounted on SAMSON control valves designed according to the modular principle (see associated valve documentation). The travel pick-off interface for these mounted devices can be ordered (accessories):

Type ... Actuator	Actuator area in cm ²	Item/material number (accessories) for	
		Attachment on one side	Attachment on both sides
3271	175v2	1400-6816 (included in scope of delivery of the actuator)	100029690
3271	350v2 750v2	100029695 (included in scope of delivery of the actuator)	1400-5529
3277	175v2 350v2 750v2	100029695	1400-5529

3.4 Versions

- **Standard version**
The top and bottom diaphragm cases are made of plastic-coated sheet steel.
- **Corrosion-resistant version**
The top and bottom diaphragm cases are optionally available made of stainless steel 1.4301.
- **Version with travel stop**
The Type 3271 and Type 3277 Actuators can be fitted with a mechanically adjustable travel stop in a special version. The travel is reduced by up to 50 % in both directions of action (stem extends or retracts).
- **Version with handwheel**
The Type 3271 and Type 3277 Actuators can be fitted with an additional handwheel. It is used to adjust the travel manually.
- **Version with side-mounted handwheel**
The Type 3271 and Type 3277 Actuators can be combined with a Type 3273 Side-mounted Handwheel with max. 30 mm travel (▶ T 8312).

3.5 Technical data

The nameplate provides information on the actuator version (see Chapter 2).

i Note

More information is available in the following Data Sheet:

- ▶ T 8310-1 · Type 3271 and Type 3277 Pneumatic Actuators up to 750v2 cm² actuator area

Temperature range

The permissible temperature range is determined to a large extent by the diaphragm material.

Diaphragm material	Type of service	Temperature range
NBR	Throttling service	-35 to +90 °C -31 to +194 °F
NBR	On/off service	-20 to +90 °C -4 to +194 °F
PVMQ	Throttling service · On/off service	-60 to +90 °C -76 to +194 °F

Supply pressure

The maximum permissible supply pressure is specified in the order confirmation for the control valve.

However, the supply pressure must not exceed 6 bar in throttling service.

See Chapter 7 for restrictions in on/off service.

Table 1: Dimensions in mm · Type 3271

Actuator area in cm ²		175v2	350v2	750v2	
Height	H ¹⁾	-	-	171	
	H'	78	92	139	
	Ha	15	15	15	
	H1	Only with handwheel	313	330	493
		With handwheel and travel stop	413	430	593
	H2 _{max}	Only with handwheel	358	375	543
		With handwheel and travel stop	458	475	643
	H4 _{rated} FA	75	75	90	
	H4 _{max} FA	78	78	93	
	H4 _{max} FE	78	85	98	
	H6	34	34	34	
H7 ²⁾	-	-	65		
Travel stop	H8 ³⁾	75	85	129	
Diameter	ØD	215	280	394	
	ØD1	180	250	315	
	ØD2	10	16	16	
Ød (thread)		M30x1.5 ⁴⁾	M30x1.5	M30x1.5	
Connection (a optionally)	a	G ¼	G ¾	G ¾	
		¼ NPT	¾ NPT	¾ NPT	

¹⁾ H' and H are identical for versions on which the lifting eyelet is welded directly onto the housing. The value H' applies in this case.

²⁾ Height of eyebolt according to DIN 580. Height of the swivel hoist may differ.

³⁾ Travel stop on both sides

⁴⁾ 120 and 175v2 cm² actuator areas with connection for Type 3510 Micro-flow Valve with M20x1.5 thread

Table 2: Dimensions in mm · Type 3277

Actuator area in cm ²		175v2	350v2	750v2	
Height	H ¹⁾	-	-	171	
	H'	78	82	139	
	Ha	15	15	15	
	H1	Only with handwheel	413	419	595
		With handwheel and travel stop	513	519	695
	H2 _{max}	Only with handwheel	458	464	643
		With handwheel and travel stop	558	564	743
	H4 _{rated} FA	75	75	90	
	H4 _{max} FA	78	78	93	
	H4 _{max} FE	101	101	101	
	H5	101	101	101	
H6	34	34	34		
H7 ²⁾	-	-	65		
Travel stop	H8 ³⁾	75	85	129	
Yoke width	L	70	70	70	

Design and principle of operation

Actuator area in cm ²		175v2	350v2	750v2
Diameter	ØD	215	280	394
	ØD1	180	250	315
	ØD2	10	16	16
Ød (thread)		M30x1.5 ⁴⁾	M30x1.5	M30x1.5
Connection (a optionally)	a	G ¼	G ¾	G ¾
		¼ NPT	¾ NPT	¾ NPT
	a2	G ¾	G ¾	G ¾

- 1) H' and H are identical for versions on which the lifting eyelet is welded directly onto the housing. The value H' applies in this case.
- 2) Height of eyebolt according to DIN 580. Height of the swivel hoist may differ.
- 3) Travel stop on both sides
- 4) 120 and 175v2 cm² actuator areas with connection for Type 3510 Micro-flow Valve with M20x1.5 thread

Dimensional drawings for Type 3271

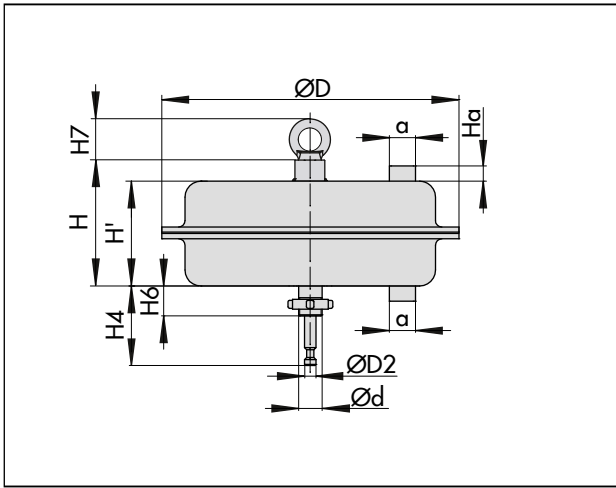


Fig. 4: Type 3271 with 750v2 cm² actuator area

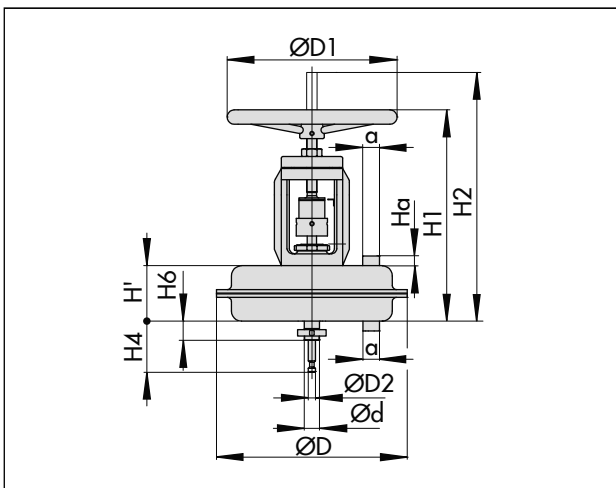


Fig. 5: Type 3271 with additional handwheel

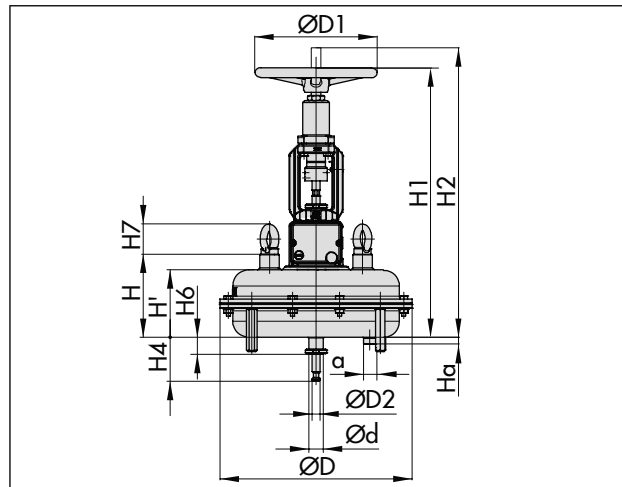


Fig. 6: Type 3271 Pneumatic Actuator with handwheel and travel stops on both sides

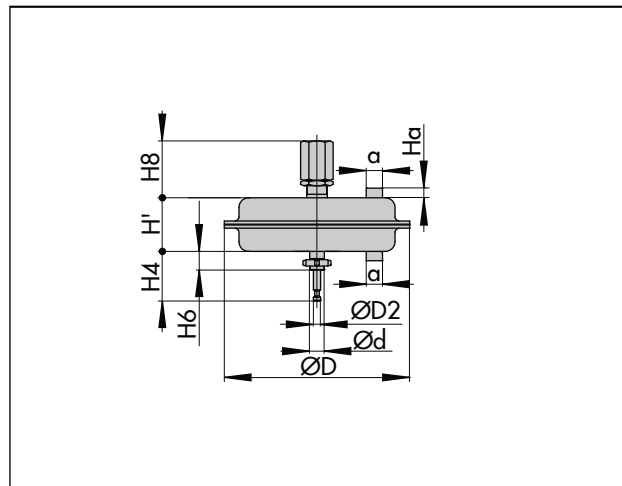


Fig. 7: Type 3271 with travel stop

Dimensional drawings for Type 3277

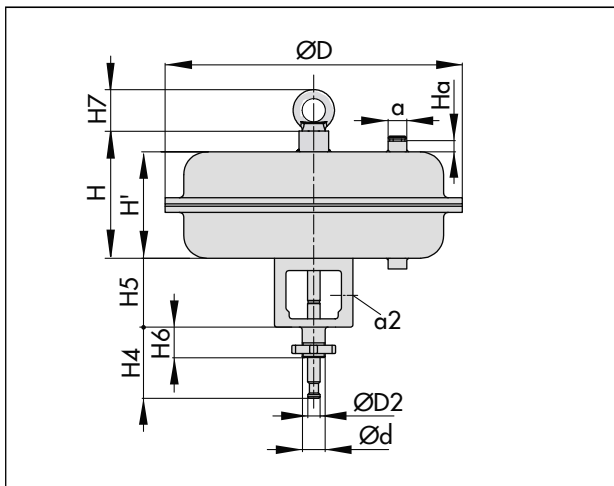


Fig. 8: Type 3277 with yoke for direct attachment of accessories · 750v2 cm² actuator area

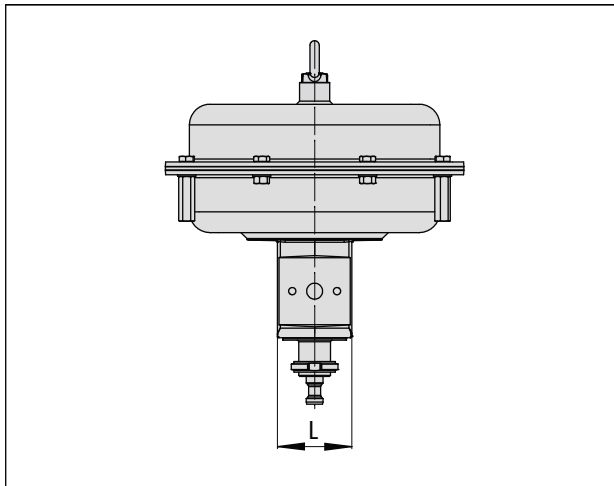


Fig. 9: Type 3277 with yoke (side view) · 750v2 cm² actuator area

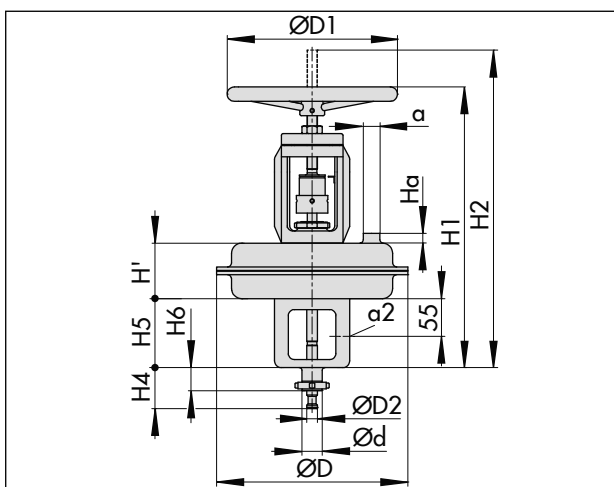


Fig. 10: Type 3277 with additional handwheel

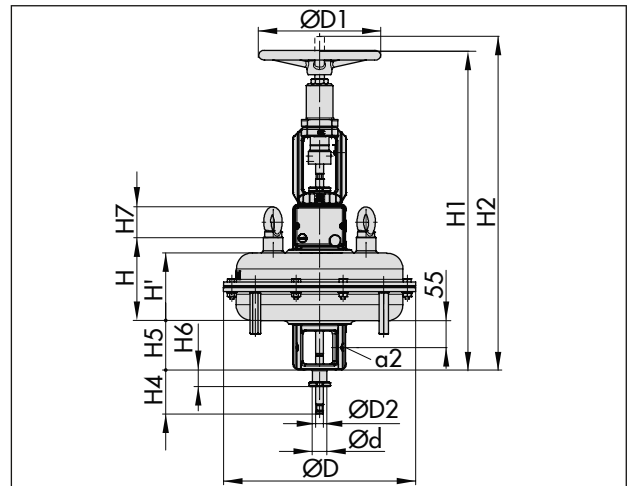


Fig. 11: Type 3277 Pneumatic Actuator with handwheel and travel stops on both sides

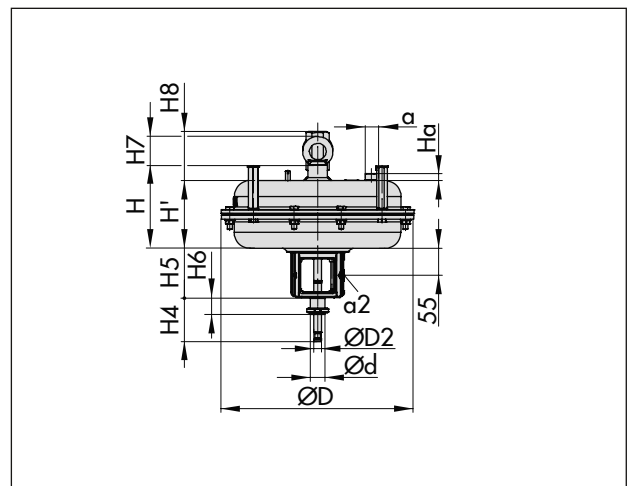


Fig. 12: Type 3277 with travel stop

Design and principle of operation

Table 3: *Weights in kg*

Type ... Actuator ¹⁾	Actuator area in cm ²		175v2	350v2	750v2
3271	Without handwheel	kg	6	11.5	36
3271	With handwheel	kg	10	16.5	41
3277	Without handwheel	kg	10	15	40
3277	With handwheel	kg	14	20	45

¹⁾ The weights specified apply to a specific standard device configuration. Weights of other actuator configurations may differ depending on the version (material, number of actuator springs etc.).

4 Shipment and on-site transport

The work described in this chapter is to be performed only by personnel appropriately qualified to carry out such tasks.

4.1 Accepting the delivered goods

After receiving the shipment, proceed as follows:

1. Check the scope of delivery. Check that the specifications on the actuator nameplate match the specifications in the delivery note. See Chapter 2 for more details on the nameplate.
2. Check the shipment for transportation damage. Report any damage to SAMSON and the forwarding agent (refer to delivery note).
3. Determine the weight and dimensions of the units to be lifted and transported in order to select the appropriate lifting equipment and lifting accessories. Refer to the transport documents and Chapter 3.5.

4.2 Removing the packaging from the actuator

Observe the following sequence:

- ⇒ Do not open or remove the packaging until immediately before mounting the actuator.
- ⇒ Leave the actuator in its transport container or on the pallet to transport it on site.
- ⇒ Dispose and recycle the packaging in accordance with the local regulations.

4.3 Transporting and lifting the actuator

⚠ DANGER

Danger due to suspended loads falling.

- ⇒ *Stay clear of suspended or moving loads.*
- ⇒ *Close off and secure the transport paths.*

⚠ WARNING

Risk of lifting equipment tipping over and risk of damage to lifting accessories due to exceeding the rated lifting capacity.

- ⇒ *Only use approved lifting equipment and accessories whose minimum lifting capacity is higher than the weight of the actuator (including any packaging).*

⚠ WARNING

Risk of injury due to incorrect lifting without the use of lifting equipment.

Lifting the device or the item being transported without the use of lifting equipment may lead to injuries (back injuries in particular) depending on its weight.

- ⇒ *Observe the occupational health and safety regulations valid in the country of use.*

📌 NOTICE

Risk of actuator damage due to incorrectly attached slings.

750 cm² actuator: The lifting eyelet/eyebolt or swivel hoist on the top diaphragm case is only intended for mounting and removing the actuator as well as lifting the actuator without the valve. Do not use the lifting eyelet/eyebolt and the swivel hoist to bear the load of the entire control valve assembly.

- ⇒ *Do not attach load-bearing slings to the hand-wheel or travel stop.*
- ⇒ *Observe lifting instructions (see Chapter 4.3.2).*

💡 Tip

Our after-sales service can provide more detailed transport and lifting instructions on request.

4.3.1 Transporting the actuator

The actuator can be transported using lifting equipment (e.g. crane or forklift).

- ⇒ Leave the actuator in its transport container or on the pallet to transport it.
- ⇒ Observe the transport instructions.

Transport instructions

- Protect the actuator against external influences (e.g. impact).
- Do not damage the corrosion protection (paint, surface coatings). Repair any damage immediately.
- Protect the actuator against moisture and dirt.
- Observe permissible temperatures (see section 'Technical data' in Chapter 3).

4.3.2 Lifting the actuator

Due to the low service weight, lifting equipment is not absolutely necessary to lift actuators up to and

Shipment and on-site transport

including 355v2 cm² actuator area (e.g. to mount it onto a valve).

If lifting equipment (e.g. crane or forklift) is to be used, SAMSON has a gripping device available for the actuator (see section 'Accessories' in Chapter 3).

To mount large actuators onto the valve, lifting equipment (e.g. crane or forklift) can be used to lift the actuator.

Lifting instructions

- Use a hook with safety latch to secure the slings from slipping off the hook during lifting and transporting.
- Secure slings on the object to be transported against slipping.
- Make sure that the slings can be removed from the actuator once it has been mounted on the valve.
- Prevent the actuator from tilting or tipping.
- Do not leave loads suspended when interrupting work for longer periods of time.

a) Lifting actuator (without valve) using the lifting eyelet, eyebolt or swivel hoist

1. Open the eyebolt cover by lightly pressing the side clips and remove it (see Fig. 13).
2. Attach a sling to the lifting eyelet/eyebolt or swivel hoist of the actuator and to the rigging equipment (e.g. hook) of the crane or forklift.
3. Carefully lift the actuator. Check whether the lifting equipment and accessories can bear the weight.
4. Move the actuator at an even pace to the mounting site.
5. Mount the actuator onto the valve (see Chapter 5).
6. Remove slings after mounting and replace the cover on the eyebolt (see Fig. 13).

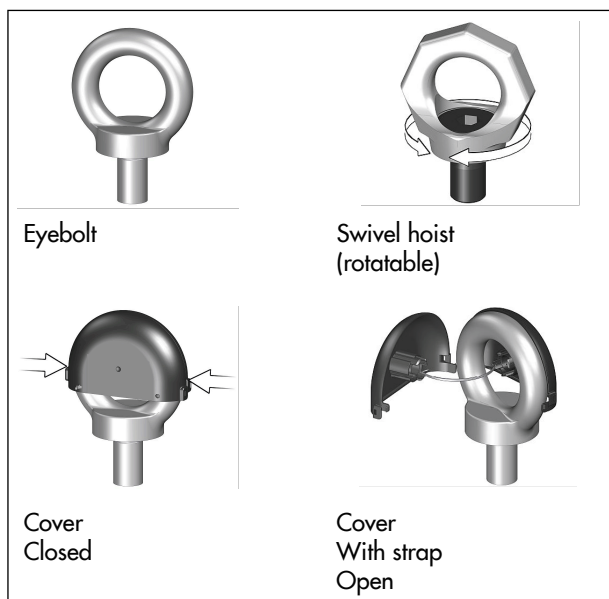


Fig. 13: Strap on eyebolt/swivel hoist

b) Lifting the entire control valve assembly

A swivel hoist can be screwed into versions with a female thread on the top diaphragm case of the actuator in place of the eyebolt (see section 'Accessories' in Chapter 3). In contrast to the eyebolt, the swivel hoist may be used for setting a control valve assembly upright.

In order to lift an entire control valve assembly, the slings attached to the valve body must bear the entire load. The sling between the lashing point on the actuator and rigging equipment (hook, shackle etc.) must not bear any load. The sling only protects the control valve from tilting while being lifted. Before lifting the control valve, tighten the sling.

i Note

See valve documentation for more information on lifting the entire control valve assembly.

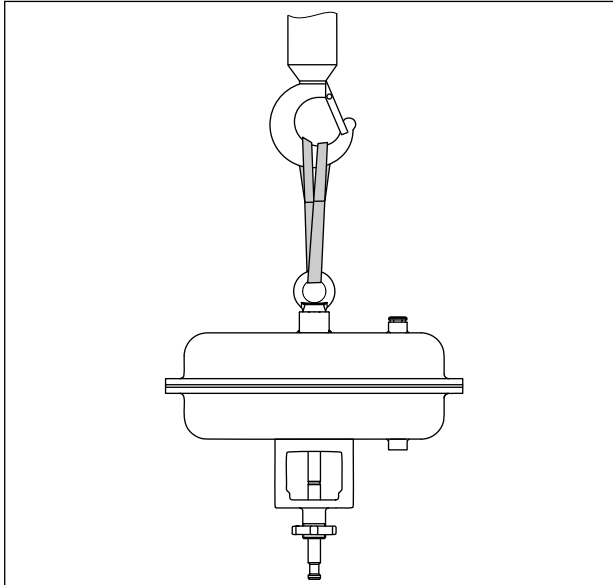


Fig. 14: Lifting point on the actuator

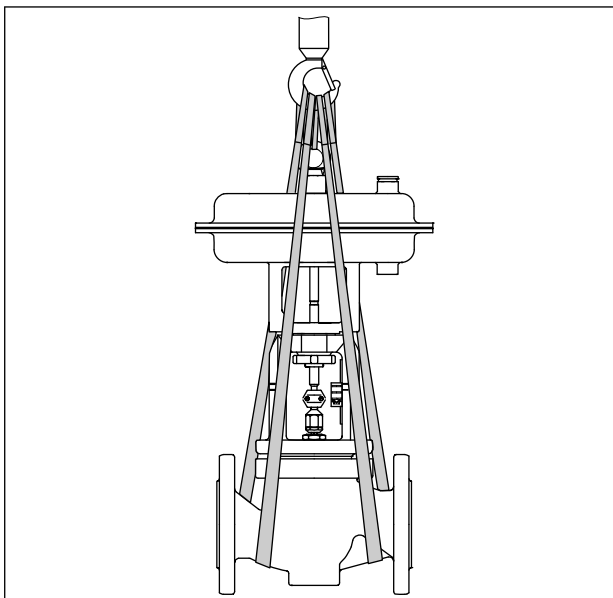


Fig. 15: Lifting points on the control valve (example shown)

4.4 Storing the actuator

NOTICE

Risk of actuator damage due to improper storage.

- ⇒ Observe the storage instructions.
- ⇒ Avoid longer storage periods.
- ⇒ Contact SAMSON in case of different storage conditions or longer storage times.

i Note

We recommend to regularly check the actuator and the prevailing storage conditions during long storage times.

Storage instructions

- When the valve and actuator are already assembled, observe the storage conditions for control valves (see associated valve documentation).
- Protect the actuator against external influences (e.g. impact).
- Secure the actuator in the stored position against slipping or tipping over.
- Do not damage the corrosion protection (paint, surface coatings). Repair any damage immediately.
- Protect the actuator against moisture and dirt. Store it at a relative humidity of less than 75 %. In damp spaces, prevent condensation. If necessary, use a drying agent or heating.
- Make sure that the ambient air is free of acids or other corrosive media.
- Observe permissible temperatures (see section 'Technical data' in Chapter 3).
- Do not place any objects on the actuator.

Special storage instructions for elastomers

Elastomer, e.g. actuator diaphragm

- To keep elastomers in shape and to prevent cracking, do not bend them or hang them up.
- SAMSON recommends a storage temperature of 15 °C (59 °F) for elastomers.
- Store elastomers away from lubricants, chemicals, solutions and fuels.

Tip

Our after-sales service can provide more detailed storage instructions on request.

5 Installation

The work described in this chapter is to be performed only by personnel appropriately qualified to carry out such tasks.

5.1 Preparation for installation

Before mounting, make sure that the following conditions are met:

- The actuator is not damaged.
- The type designation, material and temperature range of the actuator match the ambient conditions (temperatures etc.). See Chapter 2 for more details on the nameplate.

Proceed as follows:

- ⇒ Lay out the necessary material and tools to have them ready during mounting.
- ⇒ Check that the vent plugs to be used are not blocked.
- ⇒ Check pressure gauges on any mounted valve accessories to make sure they function properly.
- ⇒ When the valve and actuator are already assembled, check the tightening torques of the bolted joints (▶ AB 0100). Components may loosen during transport.

5.2 Mounting the device

Depending on the version, SAMSON control valves are either delivered with the actuator already mounted on the valve or the valve and actuator are delivered separately. When delivered separately, the valve and actuator must be assembled together on site. Proceed as follows to mount the actuator and before start-up.

⚠ WARNING

Risk of personal injury due to exhaust air being vented.

The actuator is operated with air. As a result, air is vented during operation.

- ⇒ *During mounting make sure that vent openings are not located at eye level in the work position of the control valve and the actuator does not vent at eye level in the work position.*
- ⇒ *Wear eye and hearing protection when working near the actuator.*

⚠ WARNING

Crush hazard arising from moving parts.

The actuator contains moving parts (actuator stem), which can injure hands or fingers if inserted into the actuator.

- ⇒ *Do not touch the actuator stem or insert hands or finger into the yoke or beneath the actuator stem while the air supply is connected to the actuator.*
- ⇒ *Before working on the actuator, disconnect and lock the pneumatic air supply as well as the control signal.*
- ⇒ *Do not impede the movement of the actuator stem by inserting objects into the yoke.*
- ⇒ *Before unblocking the actuator stem after it has become blocked (e.g. due to seizing up after remaining in the same position for a long time), release any stored energy in the actuator (e.g. spring compression). See section 'Relieving the spring compression in the actuator' in Chapter 11.*

ⓘ NOTICE

Risk of actuator damage due to over- or under-torquing.

Observe the specified torques when tightening actuator parts. Over-torquing leads to parts wearing out more quickly. Parts that are not tightened far enough may loosen.

- ⇒ *Observe the specified tightening torques (▶ AB 0100).*

ⓘ NOTICE

Risk of actuator damage due to the use of unsuitable tools.

Certain tools are required to work on the actuator.

- ⇒ *Only use tools approved by SAMSON (▶ AB 0100).*

5.2.1 Mounting the actuator onto the valve

ⓘ NOTICE

Risk of valve damage or impaired functioning due to an incorrectly aligned V-port plug.

On mounting the actuator onto valves fitted with a V-port plug, make sure that the V-shaped port uncovered

first faces toward the valve outlet. The same applies to a perforated plug.

⇒ Read the 'Mounting the actuator onto the valve' chapter in the associated valve documentation.

Tip

The valve and actuator are assembled with special attention paid to the actuator's bench range and direction of action. These details are specified on the actuator nameplate (see Chapter 2).

a) Valve version without anti-rotation fixture

1. Loosen the lock nut and stem connector nut on the valve.
2. Firmly press the plug together with the plug stem into the seat.
3. Thread down the lock nut and stem connector nut.
4. Remove the clamps of the stem connector (A26/27) and the ring nut (A8) from the actuator.
5. Slide the ring nut (A8) over the plug stem.
6. Place the actuator onto the valve bonnet and fasten tight with the ring nut (A8).
7. Connect the signal pressure (see Chapter 5.2.2).
8. Screw on the stem connector nut by hand until it touches the actuator stem (A7).
9. Turn the stem connector nut a further quarter turn and secure this position with the lock nut.
10. Position the stem connector clamps (A26/27) and fasten tight with screws.
11. Align the travel indicator scale with the tip of the stem connector clamp.

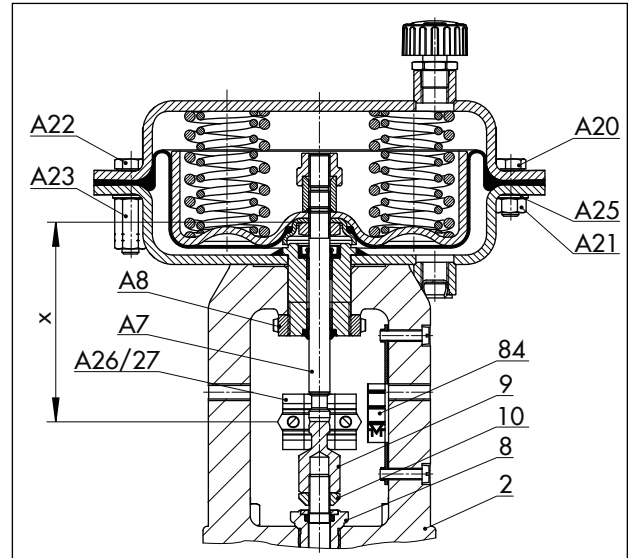


Fig. 16: Type 3271 Pneumatic Actuator mounted on a globe valve

2	Valve bonnet	A20	Hex bolt
8	Threaded bushing	A21	Hex nut
9	Stem connector nut	A22	Hex bolt (preloaded springs)
10	Lock nut	A23	Hex nut (preloaded springs)
84	Travel indicator scale	A26/27	Stem connector clamps
A7	Actuator stem	27	
A8	Ring nut		
		x	Dimension x = 95 mm

b) Mounting on valve versions with anti-rotation fixture

See Fig. 17

1. Firmly press the plug together with the plug stem into the seat.
2. **Anti-rotation fixture is not yet mounted on the valve:**
Follow the instructions described under 'Mounting the external anti-rotation fixture' in the associated valve documentation up to the point where the actuator is to be mounted.
Anti-rotation fixture is already mounted on the valve:
Slightly loosen the screws (303) and turn the stem (9) inside the stem connector clamps (301) by a few turns to move it downward.
3. Remove the clamps of the stem connector (A26) and the ring nut (A8) from the actuator.
4. Slide the ring nut (A8) over the plug stem.
5. Place the actuator onto the valve bonnet (2) and fasten tight with the ring nut (A8).
6. Connect the signal pressure (see Chapter 5.2.2).

Installation

- Continue following the instructions described under 'Mounting the external anti-rotation fixture' in the associated valve documentation from the point where the stem (9) is threaded upwards until the head of the stem rests on the extended actuator stem.
- Align and fasten the travel indicator scale as described in the 'Mounting the actuator onto the valve' chapter in the associated valve documentation.

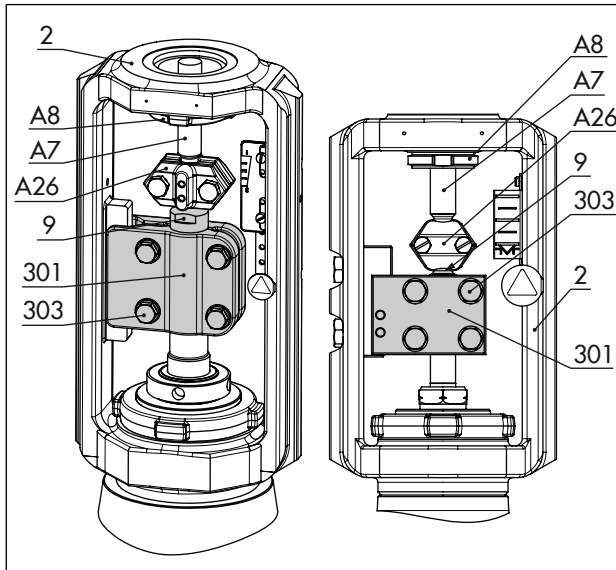


Fig. 17: Anti-rotation fixture: Standard version (left) and special version (right)

A7	Actuator stem	9	Stem
A8	Ring nut	301	Clamps
A26	Stem connector clamps	303	Screws
2	Valve bonnet		

5.2.2 Pneumatic connection

The maximum permissible supply pressure is specified in the order confirmation for the control valve. However, the supply pressure must not exceed 6 bar in throttling service. See Chapter 7 for restrictions in on/off service.

Determine the lower and upper signal pressure range values before connecting the air supply:

- The lower signal pressure range value is the same as the minimum value of the bench range or operating range (with preloaded springs).

- The upper signal pressure range value is the same as the maximum value of the bench range or operating range (with preloaded springs).
- For actuator springs that are to be preloaded subsequently, determine the upper and lower signal pressure range values as described in Chapter 6.1.

a) Actuator stem extends

- Apply a signal pressure that corresponds to the lower signal pressure range value to the connection on the bottom diaphragm case.
- Screw the vent plug into the connection on the top diaphragm case.

b) Actuator stem retracts

- Apply a signal pressure that corresponds to the upper signal pressure range value to the connection on the top diaphragm case.
- Screw the vent plug into the connection on the bottom diaphragm case.

6 Start-up

The work described in this chapter is to be performed only by personnel appropriately qualified to carry out such tasks.

⚠ DANGER

Risk of bursting due to incorrect opening of pressurized equipment or components.

Pneumatic actuators are pressure equipment that may burst when handled incorrectly. Flying projectile fragments or components can cause serious injury or even death.

- ⇒ Before starting any work on the actuator, depressurize all plant sections affected and the actuator. Release any stored energy.

⚠ WARNING

Risk of personal injury due to preloaded springs.

Actuators with preloaded springs are under tension. These actuators can be identified by several longer bolts with nuts protruding from the bottom diaphragm case. These bolts allow the spring compression to be relieved evenly on disassembling the actuator. Actuators with considerably preloaded springs are also labeled correspondingly (see Chapter 1.4).

- ⇒ Before starting any work on the actuator, which requires the actuator to be opened, or when the actuator stem has become blocked, relieve the compression from the preloaded springs (see section 'Relieving the spring compression in the actuator' in Chapter 11).

⚠ WARNING

Risk of personal injury due to exhaust air being vented.

The actuator is operated with air. As a result, air is vented during operation.

- ⇒ Wear eye and hearing protection when working near the actuator.

⚠ WARNING

Crush hazard arising from moving parts.

The actuator contains moving parts (actuator stem), which can injure hands or fingers if inserted into the actuator.

- ⇒ Do not touch the actuator stem or insert hands or finger into the yoke or beneath the actuator stem while the air supply is connected to the actuator.
- ⇒ Before working on the actuator, disconnect and lock the pneumatic air supply as well as the control signal.
- ⇒ Do not impede the movement of the actuator stem by inserting objects into the yoke.
- ⇒ Before unblocking the actuator stem after it has become blocked (e.g. due to seizing up after remaining in the same position for a long time), release any stored energy in the actuator (e.g. spring compression). See section 'Relieving the spring compression in the actuator' in Chapter 11.

⚠ WARNING

Risk of personal injury due to incorrect operation, use or installation as a result of incorrect information on the actuator.

After any adjustment or conversion work, the details on the actuator nameplate may no longer be correct. This may apply, for example, to the configuration ID or the symbol after reversal of the direction of action.

- ⇒ Immediately renew any nameplates or labels with incorrect or outdated information.
- ⇒ Add any new values to the nameplate. If necessary, contact SAMSON to obtain a new nameplate.

📌 NOTICE

Risk of actuator damage due to over- or under-torquing.

Observe the specified torques when tightening actuator parts. Over-torquing leads to parts wearing out more quickly. Parts that are not tightened far enough may loosen.

- ⇒ Observe the specified tightening torques (▶ AB 0100).

📌 NOTICE

Risk of actuator damage due to the use of unsuitable tools.

Certain tools are required to work on the actuator.

- ⇒ Only use tools approved by SAMSON (▶ AB 0100).

6.1 Preloading the springs

By preloading the springs in the actuator, the following can be achieved:

- The thrust is increased (only actuators with "stem extends")
- In combination with a SAMSON valve: The actuator travel range can be adapted to a smaller valve travel range

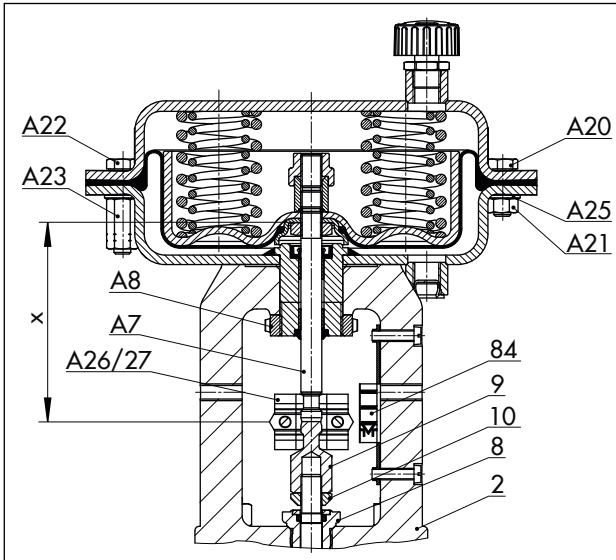


Fig. 18: Type 3271 Pneumatic Actuator mounted on a globe valve

2	Valve bonnet	A20	Hex bolt
8	Threaded bushing	A21	Hex nut
9	Stem connector nut	A22	Hex bolt (preloaded springs)
10	Lock nut	A23	Hex nut (preloaded springs)
84	Travel indicator scale	A26/27	Stem connector clamps
A7	Actuator stem	27	
A8	Ring nut	x	Dimension x = 95 mm

6.1.1 Tensioning the springs

NOTICE

Risk of actuator damage due to the springs being tensioned unevenly.

- ⇒ Distribute clamping bolts and nuts evenly around the circumference.
- ⇒ Tighten the nuts gradually in a crisscross pattern.

1. Distribute the long bolts (A22) evenly around the circumference.
2. Screw the long nuts (A23) together with washers (A25) onto the clamping bolts (A22) until they rest on the bottom diaphragm case (A2).

3. To tension the springs evenly, tighten the nuts (A23) gradually in a crisscross pattern. Hold the bolt head stationary with a suitable tool and apply the tightening torque to the nuts. Observe tightening torques.
4. Insert the short bolts (A20) through the intended holes in the diaphragm cases (A1, A2).
5. Screw the short nuts (A21) with washers (A25) onto the bolts (A20) and tighten them. Observe tightening torques.

6.1.2 Increasing the actuator thrust

The thrust can only be increased in actuators with "stem extends" direction of action. To achieve this, the springs of the actuators can be preloaded by up to 25 % of their travel or bench range.

Example: Preloading is required for a signal pressure range of 0.2 to 1 bar. 25 % of this span is 0.2 bar. Therefore, the signal pressure range is shifted by 0.2 bar to 0.4 to 1.2 bar. The new lower signal pressure range value is 0.4 bar and the new upper signal pressure range value 1.2 bar.

- ⇒ Write the new signal pressure range of 0.4 to 1.2 bar on the actuator nameplate as the operating range with preloaded springs.

6.2 Adapting the travel range

In some cases, the valve and actuator have different rated travels. Depending on the direction of action, proceed as follows:

"Actuator stem extends" direction of action

Always use actuators with preloaded springs when the valve's rated travel is smaller than the rated travel of the actuator.

Example: DN 50 valve with 15 mm rated travel and 750v2 cm² actuator with 30 mm rated travel; 0.4 to 2 bar bench range.

The signal pressure for half the actuator travel (15 mm) is 1.2 bar. Adding it to the lower signal pressure range value of 0.4 bar results in a signal pressure of 1.6 bar required for preloading the springs. The new lower signal pressure range value is 1.6 bar and the new upper signal pressure range value 2.4 bar.

- ⇒ Write the new signal pressure range of 1.6 to 2.4 bar on the actuator nameplate as the operating range with preloaded springs.

“Actuator stem retracts” direction of action

The springs of actuators with “stem retracts” action cannot be preloaded. When a SAMSON valve is combined with an oversized actuator (e.g. the rated travel of the actuator is larger than the rated travel of the valve), only the first half of the actuator's bench range can be used.

Example: DN 50 valve with 15 mm rated travel and 750v2 cm² actuator with 30 mm rated travel; 0.2 to 1 bar bench range.

At half the valve travel, the operating range is between 0.2 and 0.6 bar.

6.3 Travel stop

In the version with travel stop, the maximum and minimum actuator travel can be limited.

Actuator area in cm ²	Direction of action	Min. stop	Max. stop
175v2, 350v2	Stem extends (FA)	0 to 85 %	0 to 125 %
175v2, 350v2	Stem retracts (FE)	0 to 85 %	0 to 100 %
750v2	Stem extends (FA)	0 to 125 %	0 to 125 %
750v2	Stem retracts (FE)	0 to 100 %	0 to 100 %

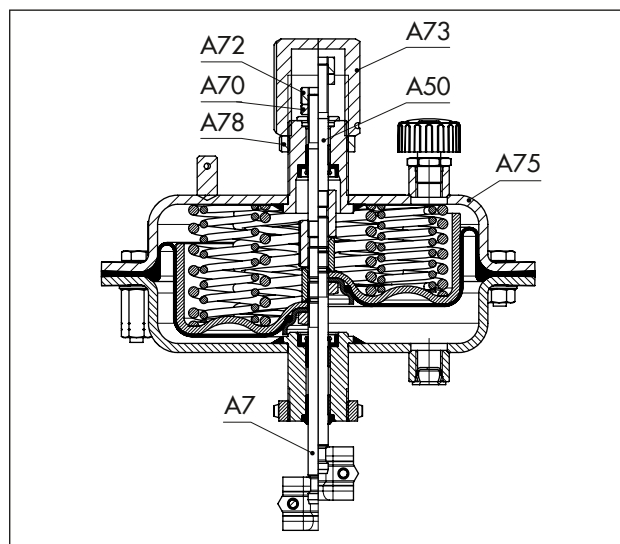


Fig. 19: Type 3271 Actuator with travel stop (175v2 or 350v2 cm² with “stem extends”)

A7 Actuator stem	A73 Cover
A50 Actuator stem	A75 Top diaphragm case
A70 Lock nut	A78 Lock nut
A72 Lock nut	

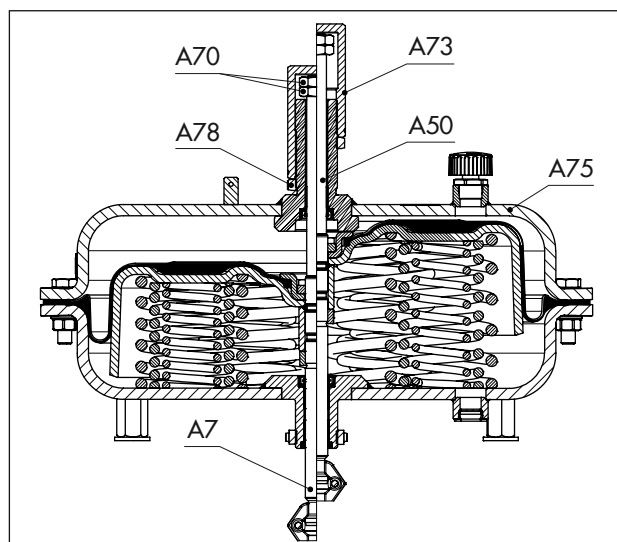


Fig. 20: Type 3271 Actuator with travel stop (750v2 cm² with “stem retracts”)

A7 Actuator stem	A73 Cover
A50 Actuator stem	A75 Top diaphragm case
A70 Lock nut	A78 Lock nut
A72 Lock nut	

6.3.1 Bottom travel stop (minimum travel)

1. Loosen the lock nut (A78) and remove cover (A73).
2. Loosen the top lock nut (A70).
3. Move actuator to the required position of minimum travel.
4. Screw bottom lock nut (A70) on as far as it will go and lock this position with top lock nut (A70).
5. Attach cover (A73) and retighten lock nut (A78).

i Note

If the minimum travel is not to be limited, thread the nuts (A70) until they reach the top end of the actuator stem (A50) and lock them in position.

6.3.2 Top travel stop (maximum travel)

1. Loosen the lock nut (A78) and remove cover (A73).
2. Move actuator to the required position of maximum travel.
3. Screw back on cover (A73) as far it will go and retighten lock nut (A78).

6.4 Version with handwheel

The stem connector (A51) connects the actuator stem (A7) with the actuator stem (A50) of the handwheel. The actuator stem position can be adjusted using the handwheel (A60).

In Type 3271 and Type 3277 Pneumatic Actuators with 750v2 cm² actuator area with a handwheel, the upper bench range value must not exceed 3.1 bar.

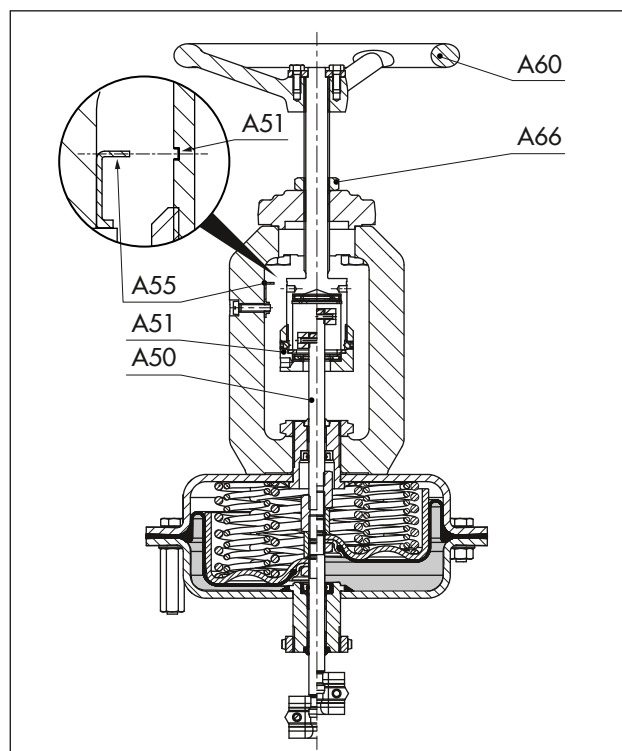


Fig. 21: Type 3271 Actuator (175v2 or 350v2 cm²) with handwheel

A50 Actuator stem (handwheel) A60 Handwheel
 A51 Stem connector A66 Lock nut
 A55 Pointer

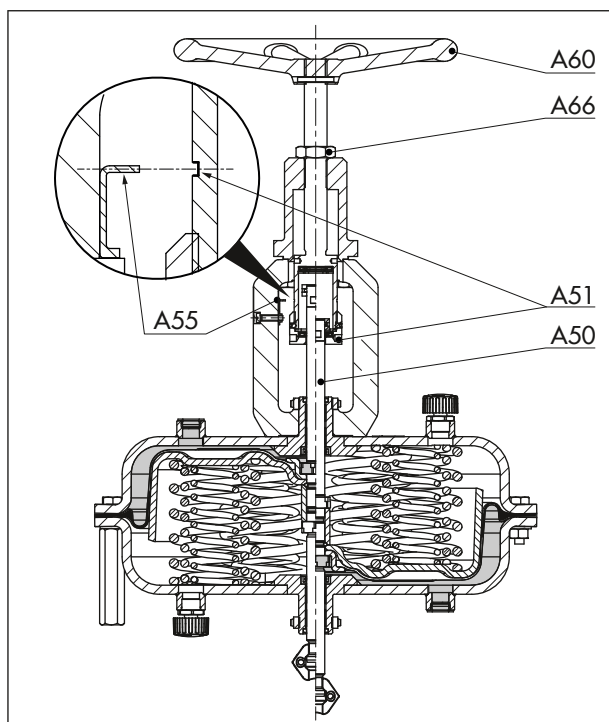


Fig. 22: Type 3271 Actuator (750v2 cm²) with handwheel

A50 Actuator stem (handwheel) A60 Handwheel
 A51 Stem connector A66 Lock nut
 A55 Pointer

i Note

If you want to retrofit a handwheel to an actuator, contact our after-sales service.

6.4.1 Extending the actuator stem manually

1. Loosen the lock nut (A66) to unlock the handwheel (A60).
2. Turn the handwheel clockwise to extend the actuator stem.
3. To change from manual to automatic mode, place the handwheel in the neutral position. To do so, align the pointer (A55) with the groove on the stem connector (A51).
4. Tighten the lock nut (A66) to lock the handwheel.

6.4.2 Retracting the actuator stem manually

1. Loosen the lock nut (A66) to unlock the handwheel (A60).
2. Turn the handwheel counterclockwise to retract the actuator stem.

3. To change from manual to automatic mode, place the handwheel in the neutral position. To do so, align the pointer (A55) with the groove on the stem connector (A51).
4. Tighten the lock nut (A66) to lock the handwheel.

7 Operation

The work described in this chapter is to be performed only by personnel appropriately qualified to carry out such tasks.

⚠ WARNING

Risk of personal injury due to exhaust air being vented.

The actuator is operated with air. As a result, air is vented during operation.

- ⇒ *Wear eye and hearing protection when working near the actuator.*
-

⚠ WARNING

Crush hazard arising from moving parts.

The actuator contains moving parts (actuator stem), which can injure hands or fingers if inserted into the actuator.

- ⇒ *Do not touch the actuator stem or insert hands or finger into the yoke or beneath the actuator stem while the air supply is connected to the actuator.*
 - ⇒ *Before working on the actuator, disconnect and lock the pneumatic air supply as well as the control signal.*
 - ⇒ *Do not impede the movement of the actuator stem by inserting objects into the yoke.*
 - ⇒ *Before unblocking the actuator stem after it has become blocked (e.g. due to seizing up after remaining in the same position for a long time), release any stored energy in the actuator (e.g. spring compression). See section 'Relieving the spring compression in the actuator' in Chapter 11.*
-

⚠ WARNING

Risk of personal injury due to incorrect operation, use or installation as a result of incorrect information on the actuator.

After any adjustment or conversion work, the details on the actuator nameplate may no longer be correct. This may apply, for example, to the configuration ID or the symbol after reversal of the direction of action.

- ⇒ *Immediately renew any nameplates or labels with incorrect or outdated information.*
 - ⇒ *Add any new values to the nameplate. If necessary, contact SAMSON to obtain a new nameplate.*
-

7.1 Throttling or on/off service

The maximum permissible supply pressure is specified in the order confirmation for the control valve. However, the supply pressure must not exceed 6 bar in throttling service.

With "actuator stem extends" direction of action and travel stop, the supply pressure must not exceed the upper bench range value by more than 1.5 bar at the maximum.

7.2 Manual mode (versions with handwheel only)

In the manual mode, the valve is opened and closed by the handwheel. The valve position is independent of the signal pressure or actuator springs. See associated handwheel documentation ► EB 8312-X.

The handwheel must be in the neutral position to allow the actuator to move through its entire travel range in throttling or on/off service.

In Type 3271 and Type 3277 Pneumatic Actuators with 750v2 cm² actuator area with a handwheel, the upper bench range value must not exceed 3.1 bar.

7.3 Additional notes concerning operation

- ⇒ Label actuators with reduced supply pressure with a sticker ("Max. supply pressure limited to ... bar").
- ⇒ Only apply the signal pressure to the signal pressure connection (S) on the diaphragm chamber of the actuator which does not contain any springs.
- ⇒ Only use vent plugs that let air through them (see spare parts drawing, item A16 in Chapter 15.2).

8 Malfunctions

Read hazard statements, warnings and caution notes in Chapter 1.

8.1 Troubleshooting

Malfunction	Possible reasons	Recommended action
Actuator stem does not move on demand.	Actuator is blocked.	Put the actuator out of operation (see Chapter 10) and remove the blockage. WARNING! A blocked actuator (e.g. due to seizing up after remaining in the same position for a long time) can suddenly start to move uncontrollably. Injury to hands or fingers is possible if they are inserted into the actuator or valve. Before trying to unblock the actuator stem, disconnect and lock the pneumatic air supply as well as the control signal. Before unblocking the actuator, release any stored energy in the actuator (e.g. spring compression). See section 'Relieving the spring compression in the actuator' in Chapter 11.
	Diaphragm in the actuator defective	See section 'Replacing the diaphragm' in Chapter 9.
	Signal pressure too low	Check the signal pressure. Check the signal pressure line for leakage.
	Signal pressure not connected to the correct diaphragm chamber.	See section 'Direction of action and signal pressure routing' in Chapter 3.
Actuator stem does not stroke through its complete travel range.	Signal pressure too low	Check the signal pressure. Check the signal pressure line for leakage.
	Travel stop active	See section 'Travel stop' in Chapter 6.
	Incorrect setting of valve accessories	Check the actuator without valve accessories. Check the settings of the valve accessories.

i Note

Contact SAMSON's After-sales Service for malfunctions not listed in the table.

8.2 Emergency action

Plant operators are responsible for emergency action to be taken in the plant.

9 Servicing and conversion

The work described in this chapter is to be performed only by personnel appropriately qualified to carry out such tasks.

The following documents are also required for servicing the control valve:

- ► AB 0100 for tools, tightening torques and lubricants

⚠ DANGER

Risk of bursting due to incorrect opening of pressurized equipment or components.

Pneumatic actuators are pressure equipment that may burst when handled incorrectly. Flying projectile fragments or components can cause serious injury or even death.

- ⇒ Before starting any work on the actuator, depressurize all plant sections affected and the actuator. Release any stored energy.

⚠ WARNING

Risk of personal injury due to preloaded springs.

Actuators with preloaded springs are under tension. These actuators can be identified by several longer bolts with nuts protruding from the bottom diaphragm case. These bolts allow the spring compression to be relieved evenly on disassembling the actuator. Actuators with considerably preloaded springs are also labeled correspondingly (see Chapter 1.4).

- ⇒ Before starting any work on the actuator, which requires the actuator to be opened, or when the actuator stem has become blocked, relieve the compression from the preloaded springs (see section 'Relieving the spring compression in the actuator' in Chapter 11).

⚠ WARNING

Risk of personal injury due to exhaust air being vented.

The actuator is operated with air. As a result, air is vented during operation.

- ⇒ Wear eye and hearing protection when working near the actuator.

⚠ WARNING

Crush hazard arising from moving parts.

The actuator contains moving parts (actuator stem), which can injure hands or fingers if inserted into the actuator.

- ⇒ Do not touch the actuator stem or insert hands or finger into the yoke or beneath the actuator stem while the air supply is connected to the actuator.
- ⇒ Before working on the actuator, disconnect and lock the pneumatic air supply as well as the control signal.
- ⇒ Do not impede the movement of the actuator stem by inserting objects into the yoke.
- ⇒ Before unblocking the actuator stem after it has become blocked (e.g. due to seizing up after remaining in the same position for a long time), release any stored energy in the actuator (e.g. spring compression). See section 'Relieving the spring compression in the actuator' in Chapter 11.

⚠ WARNING

Risk of personal injury due to incorrect operation, use or installation as a result of incorrect information on the actuator.

After any adjustment or conversion work, the details on the actuator nameplate may no longer be correct. This may apply, for example, to the configuration ID or the symbol after reversal of the direction of action.

- ⇒ Immediately renew any nameplates or labels with incorrect or outdated information.
- ⇒ Add any new values to the nameplate. If necessary, contact SAMSON to obtain a new nameplate.

ⓘ NOTICE

Risk of actuator damage due to over- or under-torquing.

Observe the specified torques when tightening actuator parts. Over-torquing leads to parts wearing out more quickly. Parts that are not tightened far enough may loosen.

- ⇒ Observe the specified tightening torques (► AB 0100).

NOTICE

Risk of actuator damage due to the use of unsuitable tools.

Certain tools are required to work on the actuator.

⇒ Only use tools approved by SAMSON (▶ AB 0100).

NOTICE

Risk of actuator damage due to the use of unsuitable lubricants.

The lubricants to be used depend on the actuator material. Unsuitable lubricants may corrode and damage surfaces.

⇒ Only use lubricants approved by SAMSON (▶ AB 0100).

Note

- The product warranty becomes void if service or repair work not described in these instructions is performed without prior agreement by SAMSON's After-sales Service.
- Only use original spare parts by SAMSON, which comply with the original specifications.

9.1 Periodic testing

Depending on the operating conditions, check the actuator at certain intervals to prevent possible failure before it can occur. Plant operators are responsible for drawing up an inspection and test plan.

Tip

Our after-sales service can support you in drawing up an inspection and test plan for your plant.

9.2 Preparation for servicing or conversion work

1. Lay out the necessary material and tools to have them ready for the intended work.
2. Put the actuator out of operation (see Chapter 10).
3. Remove the actuator from the valve (see Chapter 11).

Note

To remove an actuator with "stem extends" direction of action and/or with preloaded springs, a certain signal pressure must be applied to the actuator (see Chapter 11).

Once the work is completed, the signal pressure must be removed and the air supply disconnected again and locked.

4. Relieve the spring compression of actuators with preloaded springs (see section 'Relieving the spring compression in the actuator' in Chapter 11).
5. Unthread and remove the bolts and nuts including washers from around the diaphragm case. Keep the parts in a safe place for later use.

The following service and/or conversion work can be performed after preparation is completed:

- Replacing the diaphragm
- Replacing the actuator stem seals
- Reversing the direction of action

9.3 Mounting the actuator on the valve after service or conversion work

1. Mount the actuator (see Chapter 5).
2. Adjust the upper or lower signal pressure range value (see Chapter 6).

9.4 Service work

9.4.1 Replacing the diaphragm

a) "Stem extends" direction of action

1. Lift off the top diaphragm case (A1) and remove springs (A10).
2. Pull the diaphragm plate assembly consisting of the actuator stem (A7), diaphragm plate (A5) and diaphragm (A4) out of the bottom diaphragm case (A2).
3. Clamp the bottom section of the actuator stem (A7) into a vise using protective jaws. Make sure that the actuator stem is not damaged.
4. Unscrew and remove the nut (A33).
5. Remove the parts from the actuator stem (A7) in the specified order:
 - Spacer (A36)
 - O-ring (A17)
 - Diaphragm plate (A5)
 - Diaphragm (A4)

Servicing and conversion

6. Place the parts on the actuator stem in the specified order:

- New diaphragm (A4)
- Diaphragm plate (A5)
- New O-ring (A17)
- Spacer (A36)

Make sure that the seal lip of the new diaphragm (A4) is inserted correctly between compressor (A35) and diaphragm plate (A5). To prevent the O-ring from being damaged, use a suitable tool to slide the O-ring onto the actuator stem and to position it correctly.

7. Screw the nut (A33) against the compressor (A35). On tightening against the glued hex nut (with 175v2 cm² and 350v2 cm²) or onto the slotted nut (with 750v2 cm²), use a suitable tool to hold it stationary. Observe tightening torques. Make sure that the diaphragm does not turn.

8. Apply a suitable lubricant to the actuator stem (A7).

9. Place the diaphragm plate assembly consisting of the actuator stem (A7), diaphragm plate (A5) and diaphragm (A4) into the bottom diaphragm case (A2).

10. Place the springs (A10) in the diaphragm plate (A5), centering them in the intended recesses.

11. Place on the top diaphragm case (A1). Ensure that the compressed air connections on the cases (A1, A2) are correctly aligned with each other.

12. If necessary, preload the springs (see Chapter 6).

13. Fasten the top and bottom diaphragm cases (A1, A2) together using the nuts (A21) and bolts (A20). Observe tightening torques.

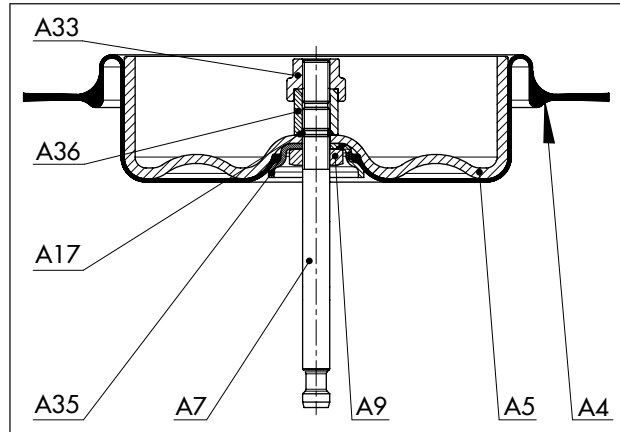


Fig. 23: Arrangement of parts for "stem extends" direction of action (175v2 and 350v2 cm²)

A4	Diaphragm	A33	Nut
A5	Diaphragm plate	A34	Slotted nut
A7	Actuator stem	A35	Compressor
A9	Nut	A36	Spacer
A17	O-ring		

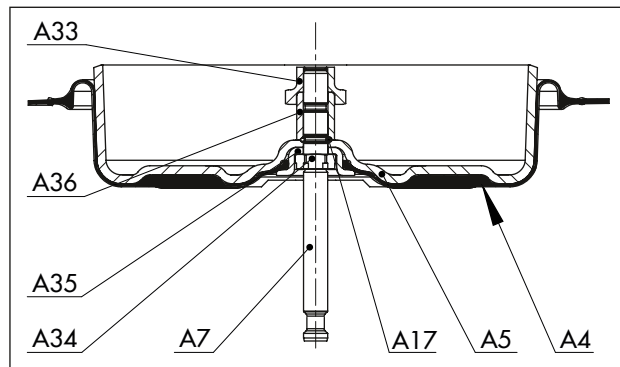


Fig. 24: Arrangement of parts for "stem extends" direction of action (750v2 cm²)

A4	Diaphragm	A33	Nut
A5	Diaphragm plate	A34	Slotted nut
A7	Actuator stem	A35	Compressor
A9	Nut	A36	Spacer
A17	O-ring		

b) "Stem retracts" direction of action

1. Lift off the top diaphragm case (A1).
2. Pull the diaphragm plate assembly consisting of the actuator stem (A7), diaphragm plate (A5) and diaphragm (A4) out of the bottom diaphragm case (A2).
3. Clamp the bottom section of the actuator stem (A7) into a vise using protective jaws. Make sure that the actuator stem is not damaged.
4. Unscrew and remove the nut (A33).
5. Take the compressor (A35) and diaphragm (A4) off the diaphragm plate (A5).

6. Place the new diaphragm in the diaphragm plate (A5). Make sure that the seal lip of the diaphragm (A4) is inserted correctly between compressor (A35) and diaphragm plate (A5).
7. Screw the compressor (A35) onto the actuator stem (A7).
8. Screw the nut (A33) against the compressor (A35). On tightening against the glued hex nut (with 175v2 cm² and 350v2 cm²) or onto the slotted nut (with 750v2 cm²), use a suitable tool to hold it stationary. Observe tightening torques. Make sure that the diaphragm does not turn.
9. Check whether the springs (A10) rest correctly in the bottom diaphragm case (A2).
10. Apply a suitable lubricant to the actuator stem (A7).
11. Place the diaphragm plate assembly consisting of the actuator stem (A7), diaphragm plate (A5) and diaphragm (A4) into the bottom diaphragm case (A2). Make sure that the sealing elements are not damaged.
12. Place on the top diaphragm case (A1). Ensure that the compressed air connections on the cases (A1, A2) are correctly aligned with each other.
13. Fasten the top and bottom diaphragm cases (A1, A2) together using the nuts (A21) and bolts (A20). Observe tightening torques.

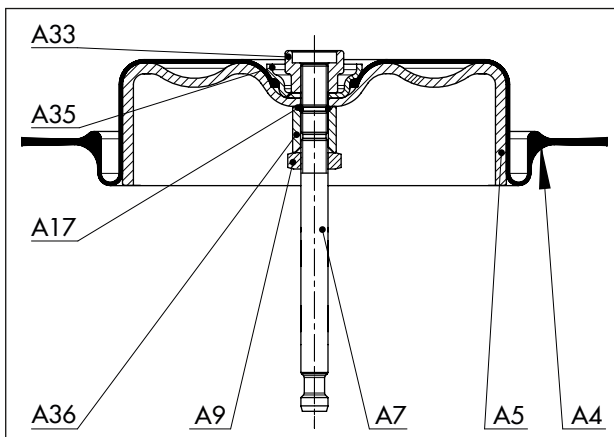


Fig. 25: Arrangement of parts for "stem retracts" direction of action (175v2 and 350v2 cm²)

A4 Diaphragm	A33 Nut
A5 Diaphragm plate	A34 Slotted nut
A7 Actuator stem	A35 Compressor
A9 Nut	A36 Spacer
A17 O-ring	

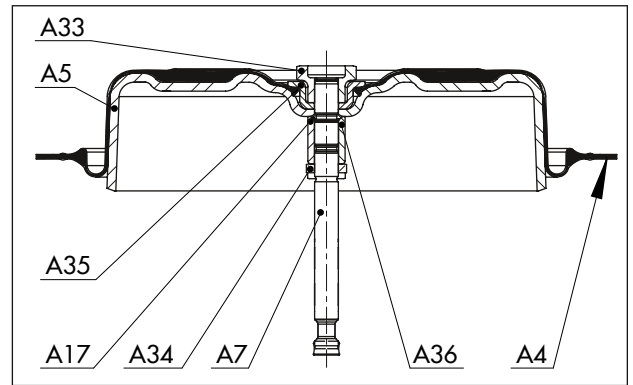


Fig. 26: Arrangement of parts for "stem retracts" direction of action (750v2 cm²)

A4 Diaphragm	A33 Nut
A5 Diaphragm plate	A34 Slotted nut
A7 Actuator stem	A35 Compressor
A9 Nut	A36 Spacer
A17 O-ring	

9.4.2 Replacing the actuator stem seals

a) "Stem extends" direction of action

1. Lift off the top diaphragm case (A1) and remove springs (A10).
2. Pull the diaphragm plate assembly consisting of the actuator stem (A7), diaphragm plate (A5) and diaphragm (A4) out of the bottom diaphragm case (A2).
3. Use a suitable punch to remove the radial shaft seal (A40).
4. Check the dry bearing (A42) and wiper ring (A41) and renew them, if necessary.
5. Apply a suitable lubricant to the seal lip of the new radial shaft seal.
6. Use a suitable tool to mount the radial shaft seal. Observe the correct alignment of the radial shaft seal (see Fig. 27).
7. Fill the cavity of the radial shaft seal, in which the spring is seated, with lubricant.
8. Apply a suitable lubricant to the actuator stem (A7).
9. Insert the actuator stem (A7) together with the diaphragm plate (A5) and diaphragm (A4) into the bottom diaphragm case (A2).
10. Place the springs (A10) into the bottom diaphragm case, centering them in the intended recesses.
11. Place on the top diaphragm case (A1). Ensure that the compressed air connections on the cases (A1, A2) are correctly aligned with each other.

Servicing and conversion

12. If necessary, preload the springs (see Chapter 6).
13. Fasten the top and bottom diaphragm cases (A1, A2) together using the nuts (A21) and bolts (A20). Observe tightening torques.

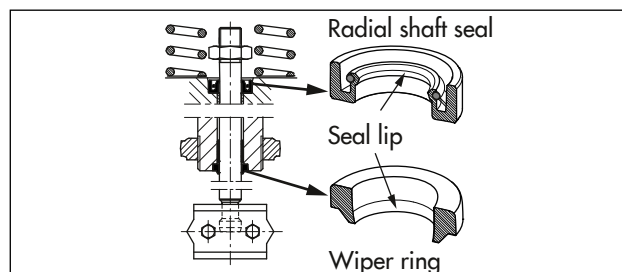


Fig. 27: Aligning the radial shaft seal and wiper ring

b) "Stem retracts" direction of action

1. Lift off the top diaphragm case (A1).
2. Pull the diaphragm plate assembly consisting of the actuator stem (A7), diaphragm plate (A5) and diaphragm (A4) out of the bottom diaphragm case (A2).
3. Use a suitable punch to remove the radial shaft seal (A40).
4. Check the dry bearing (A42) and wiper ring (A41) and renew them, if necessary.
5. Apply a suitable lubricant to the seal lip of the new radial shaft seal.
6. Use a suitable tool to mount the radial shaft seal. Observe the correct alignment of the radial shaft seal (see Fig. 27).
7. Fill the cavity of the radial shaft seal, in which the spring is seated, with lubricant.
8. Apply a suitable lubricant to the actuator stem (A7).
9. Place the diaphragm plate assembly consisting of the actuator stem (A7), diaphragm plate (A5) and diaphragm (A4) into the bottom diaphragm case (A2). Make sure that the sealing elements are not damaged.
10. Place on the top diaphragm case (A1). Ensure that the compressed air connections on the cases (A1, A2) are correctly aligned with each other.
11. Fasten the top and bottom diaphragm cases (A1, A2) together using the nuts (A21) and bolts (A20). Observe tightening torques.

9.5 Conversion work

9.5.1 Reversing the direction of action

The direction of action (and fail-safe action) of pneumatic actuators can be changed. The fail-safe action is indicated on the nameplate by a symbol:

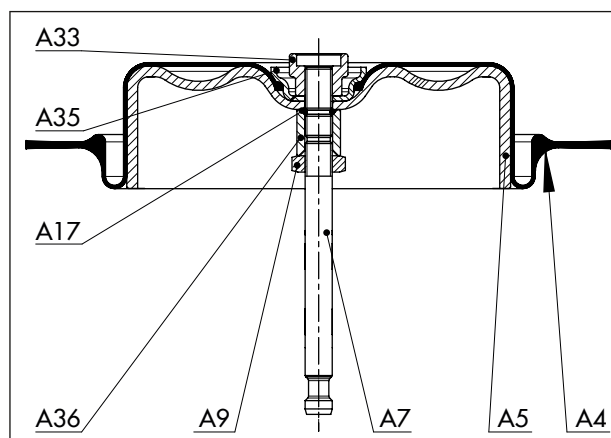
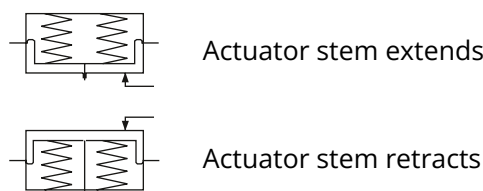


Fig. 28: Arrangement of parts for "stem retracts" direction of action (175v2 and 350v2 cm²)

A4	Diaphragm	A33	Nut
A5	Diaphragm plate	A34	Slotted nut
A7	Actuator stem	A35	Compressor
A9	Nut	A36	Spacer
A17	O-ring		

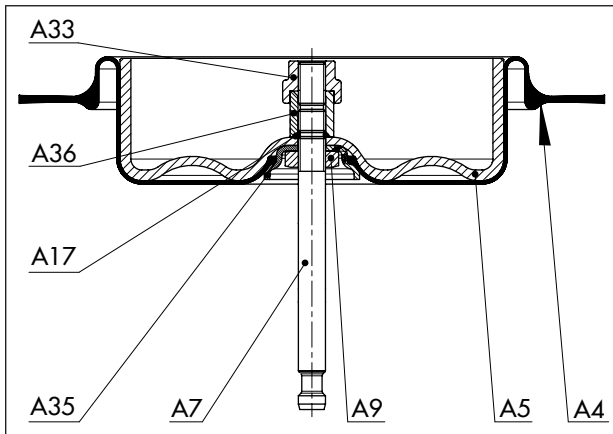


Fig. 29: Arrangement of parts for "stem extends" direction of action (175v2 and 350v2 cm²)

- | | |
|--------------------|-----------------|
| A4 Diaphragm | A33 Nut |
| A5 Diaphragm plate | A34 Slotted nut |
| A7 Actuator stem | A35 Compressor |
| A9 Nut | A36 Spacer |
| A17 O-ring | |

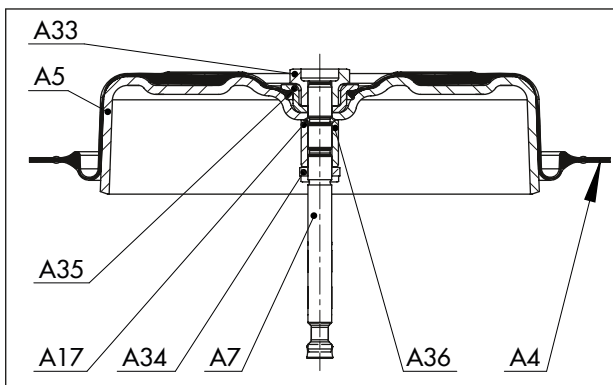


Fig. 30: Arrangement of parts for "stem retracts" direction of action (750v2 cm²)

- | | |
|--------------------|-----------------|
| A4 Diaphragm | A33 Nut |
| A5 Diaphragm plate | A34 Slotted nut |
| A7 Actuator stem | A35 Compressor |
| A9 Nut | A36 Spacer |
| A17 O-ring | |

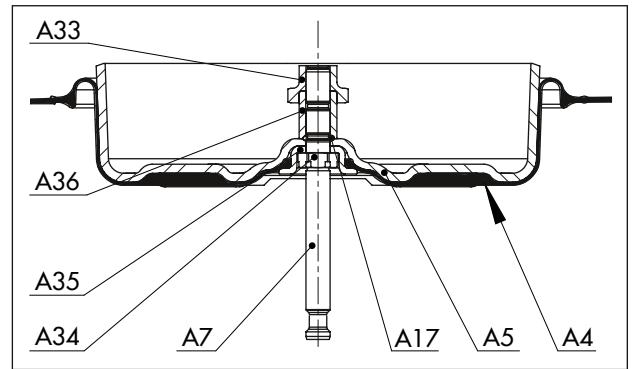


Fig. 31: Arrangement of parts for "stem extends" direction of action (750v2 cm²)

- | | |
|--------------------|-----------------|
| A4 Diaphragm | A33 Nut |
| A5 Diaphragm plate | A34 Slotted nut |
| A7 Actuator stem | A35 Compressor |
| A9 Nut | A36 Spacer |
| A17 O-ring | |

a) Reversal of the direction of action from "stem extends" to "stem retracts"

1. Lift off the top diaphragm case (A1) and remove springs (A10).
2. Pull the diaphragm plate assembly consisting of the actuator stem (A7), diaphragm plate (A5) and diaphragm (A4) out of the bottom diaphragm case (A2).
3. Clamp the bottom section of the actuator stem (A7) into a vise using protective jaws. Make sure that the actuator stem is not damaged.
4. Unscrew and remove the nut (A33).
5. Remove the parts from the actuator stem (A7) in the specified order:
 - Spacer (A36)
 - O-ring (A17)
 - Diaphragm plate (A5)
 - Diaphragm (A4)
 - Compressor (A35)
6. Place the parts on the actuator stem **in the reverse order** as follows:
 - Spacer (A36)
 - O-ring (A17)
 - Diaphragm plate (A5)
 - Diaphragm (A4)
 - Compressor (A35)

Make sure that the seal lip of the diaphragm (A4) is inserted correctly between compressor (A35) and diaphragm plate (A5).

To prevent the O-ring from being damaged, use a suitable tool to slide the O-ring onto the actuator stem and to position it correctly.

Servicing and conversion

- Screw the nut (A33) against the compressor (A35). On tightening against the glued hex nut (with 175v2 cm² and 350v2 cm²) or onto the slotted nut (with 750v2 cm²), use a suitable tool to hold it stationary. Observe tightening torques. Make sure that the diaphragm does not turn.
 - Apply a suitable lubricant to the actuator stem (A7).
 - Clamp the top diaphragm case (A1) with the opening facing upward into a suitable clamping fixture.
 - Place the diaphragm plate assembly consisting of the actuator stem (A7), diaphragm plate (A5) and diaphragm (A4) with the actuator stem pointing upward into the diaphragm case (A1).
 - Place the springs (A10) in the diaphragm plate (A5), centering them in the intended recesses.
 - Carefully guide the bottom diaphragm case (A2) over the actuator stem (A7) and place it on the springs (A10). Make sure that the sealing elements are not damaged. Ensure that the compressed air connections on the cases (A1, A2) are correctly aligned with each other.
 - Fasten the top and bottom diaphragm cases (A1, A2) together using the nuts (A21) and bolts (A20). Observe tightening torques.
 - Type 3271:** remove the vent plug (A16) from the top signal pressure connection (S) and screw it onto the bottom connection.
Type 3277: remove the vent plug (A16).
The actuator springs, which now push against the diaphragm plate from below, cause the actuator stem to retract. The signal pressure is connected to the top connection (S) on the top diaphragm case. As a result, the actuator stem extends opposing the spring force as the signal pressure increases.
 - Affix a new nameplate with changed symbol and new configuration ID to the actuator.
- b) Reversal of the direction of action from "stem retracts" to "stem extends"**
- Lift off the top diaphragm case (A1).
 - Pull the diaphragm plate assembly consisting of the actuator stem (A7), diaphragm plate (A5) and diaphragm (A4) out of the bottom diaphragm case (A2).
 - Take the springs (A10) out of the bottom diaphragm case (A2).
 - Clamp the bottom section of the actuator stem (A7) into a vise using protective jaws. Make sure that the actuator stem is not damaged.
 - Unscrew and remove the nut (A33).
 - Remove the parts from the actuator stem (A7) in the specified order:
 - Compressor (A35)
 - Diaphragm (A4)
 - Diaphragm plate (A5)
 - O-ring (A17)
 - Spacer (A36)
 - Place the parts on the actuator stem **in the reverse order** as follows:
 - Compressor (A35)
 - Diaphragm (A4)
 - Diaphragm plate (A5)
 - O-ring (A17)
 - Spacer (A36)

Make sure that the seal lip of the diaphragm (A4) is inserted correctly between compressor (A35) and diaphragm plate (A5).

To prevent the O-ring from being damaged, use a suitable tool to slide the O-ring onto the actuator stem and to position it correctly.
 - Screw the nut (A33) against the compressor (A35). On tightening against the glued hex nut (with 175v2 cm² and 350v2 cm²) or onto the slotted nut (with 750v2 cm²), use a suitable tool to hold it stationary. Observe tightening torques. Make sure that the diaphragm does not turn.
 - Apply a suitable lubricant to the actuator stem (A7).
 - Place the diaphragm plate assembly consisting of the actuator stem (A7), diaphragm plate (A5) and diaphragm (A4) into the bottom diaphragm case (A2).
 - Place the springs (A10) in the diaphragm plate (A5), centering them in the intended recesses.
 - Place on the top diaphragm case (A1). Ensure that the compressed air connections on the cases (A1, A2) are correctly aligned with each other.
 - If necessary, preload the springs (see Chapter 6).
 - Fasten the top and bottom diaphragm cases (A1, A2) together using the nuts (A21) and bolts (A20). Observe tightening torques.
 - Type 3271:** Remove the vent plug (A16) from the bottom signal pressure connection (S) and screw it onto the top connection.

Type 3277: Remove the vent plug (A16).

The actuator springs, which now push against the diaphragm plate from above, cause the actuator stem to extend. The signal pressure is connected to the bottom connection (S) on the bottom diaphragm case (over the yoke in Type 3277). As a result, the actuator stem retracts opposing the spring force as the signal pressure increases.

16. Affix a new nameplate with changed symbol and new configuration ID to the actuator.

9.6 Ordering spare parts and operating supplies

Contact your nearest SAMSON subsidiary or SAMSON's After-sales Service for information on spare parts, lubricants and tools.

Spare parts

See Appendix for details on spare parts.

Lubricants

See document ► AB 0100 for details on suitable lubricants.

Tools

See document ► AB 0100 for details on suitable tools.

10 Decommissioning

The work described in this chapter is to be performed only by personnel appropriately qualified to carry out such tasks.

⚠ DANGER

Risk of bursting due to incorrect opening of pressurized equipment or components.

Pneumatic actuators are pressure equipment that may burst when handled incorrectly. Flying projectile fragments or components can cause serious injury or even death.

- ⇒ Before starting any work on the actuator, depressurize all plant sections affected and the actuator. Release any stored energy.

⚠ WARNING

Risk of personal injury due to preloaded springs.

Actuators with preloaded springs are under tension. These actuators can be identified by several longer bolts with nuts protruding from the bottom diaphragm case. These bolts allow the spring compression to be relieved evenly on disassembling the actuator. Actuators with considerably preloaded springs are also labeled correspondingly (see Chapter 1.4).

- ⇒ Before starting any work on the actuator, which requires the actuator to be opened, or when the actuator stem has become blocked, relieve the compression from the preloaded springs (see section 'Relieving the spring compression in the actuator' in Chapter 11).

⚠ WARNING

Risk of personal injury due to exhaust air being vented.

The actuator is operated with air. As a result, air is vented during operation.

- ⇒ Wear eye and hearing protection when working near the actuator.

⚠ WARNING

Crush hazard arising from moving parts.

The actuator contains moving parts (actuator stem), which can injure hands or fingers if inserted into the actuator.

- ⇒ Do not touch the actuator stem or insert hands or finger into the yoke or beneath the actuator stem while the air supply is connected to the actuator.
- ⇒ Before working on the actuator, disconnect and lock the pneumatic air supply as well as the control signal.
- ⇒ Do not impede the movement of the actuator stem by inserting objects into the yoke.
- ⇒ Before unblocking the actuator stem after it has become blocked (e.g. due to seizing up after remaining in the same position for a long time), release any stored energy in the actuator (e.g. spring compression). See section 'Relieving the spring compression in the actuator' in Chapter 11.

To put the actuator out of operation for service work or before removing it from the valve, proceed as follows:

1. Put the control valve out of operation (see associated valve documentation).
2. Disconnect the pneumatic air supply to depressurize the actuator.

11 Removal

The work described in this chapter is to be performed only by personnel appropriately qualified to carry out such tasks.

⚠ DANGER

Risk of bursting due to incorrect opening of pressurized equipment or components.

Pneumatic actuators are pressure equipment that may burst when handled incorrectly. Flying projectile fragments or components can cause serious injury or even death.

- ⇒ Before starting any work on the actuator, depressurize all plant sections affected and the actuator. Release any stored energy.

⚠ WARNING

Risk of personal injury due to preloaded springs.

Actuators with preloaded springs are under tension. These actuators can be identified by several longer bolts with nuts protruding from the bottom diaphragm case. These bolts allow the spring compression to be relieved evenly on disassembling the actuator. Actuators with considerably preloaded springs are also labeled correspondingly (see Chapter 1.4).

- ⇒ Before starting any work on the actuator, which requires the actuator to be opened, or when the actuator stem has become blocked, relieve the compression from the preloaded springs (see section 'Relieving the spring compression in the actuator' in Chapter 11).

⚠ WARNING

Risk of personal injury due to exhaust air being vented.

The actuator is operated with air. As a result, air is vented during operation.

- ⇒ Wear eye and hearing protection when working near the actuator.

⚠ WARNING

Crush hazard arising from moving parts.

The actuator contains moving parts (actuator stem), which can injure hands or fingers if inserted into the actuator.

- ⇒ Do not touch the actuator stem or insert hands or finger into the yoke or beneath the actuator stem while the air supply is connected to the actuator.
- ⇒ Before working on the actuator, disconnect and lock the pneumatic air supply as well as the control signal.
- ⇒ Do not impede the movement of the actuator stem by inserting objects into the yoke.
- ⇒ Before unblocking the actuator stem after it has become blocked (e.g. due to seizing up after remaining in the same position for a long time), release any stored energy in the actuator (e.g. spring compression). See section 'Relieving the spring compression in the actuator' in Chapter 11.

Before removing, make sure that the following conditions are met:

- The actuator is put out of operation (see Chapter 10).

11.1 Removing the actuator from the valve

1. Undo the stem connector clamps (A26/27).
2. Loosen the stem connector nut (9) and lock nut (10) on the valve.
3. **Removing actuators with "stem extends" direction of action with/without preloaded springs:** To loosen the ring nut (A8), apply approx. 50 % signal pressure to open the valve.
4. Loosen the ring nut on the valve bonnet.
5. Disconnect the signal pressure again.
6. Separate the actuator from the valve by undoing the ring nut.
7. Fasten tight the lock nut and stem connector nut on the valve.

11.2 Relieving the spring compression in the actuator

The long clamping bolts with long clamping nuts and the short bolts with short nuts are arranged evenly around the circumference of the actuator housing to fasten the diaphragm cases together.

The springs in the actuator are compressed using the long clamping nuts and bolts.

Removal

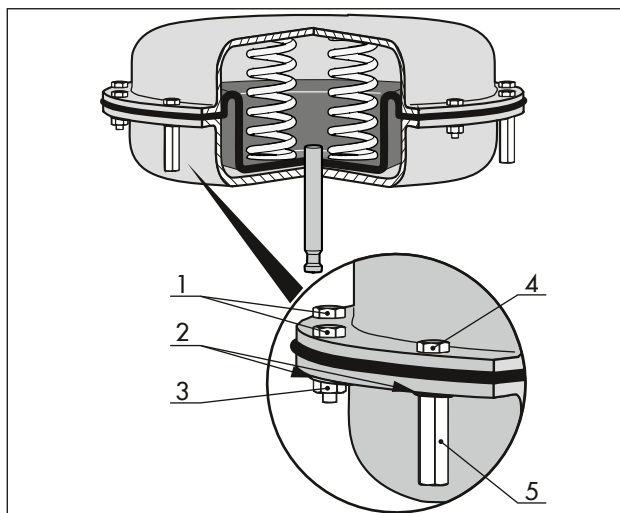


Fig. 32: Preloaded springs (functional diagram)

- | | | | |
|---|------------|---|---------------|
| 1 | Short bolt | 4 | Clamping bolt |
| 2 | Washer | 5 | Clamping nut |
| 3 | Short nut | | |

To relieve the compression of the preloaded springs in the actuator, proceed as follows:

1. Unthread and remove the short nuts and bolts (including the washers) on the diaphragm cases.
2. Loosen the long clamping nuts and bolts on the diaphragm cases evenly in a crisscross pattern to gradually relieve the spring compression. Hold the bolt head stationary with a suitable tool and apply the torque to the nuts.

12 Repairs

If the actuator does not function properly according to how it was originally sized or does not function at all, it is defective and must be repaired or exchanged.

NOTICE

Risk of actuator damage due to incorrect service or repair work.

- ⇒ Do not perform any repair work on your own.
 - ⇒ Contact SAMSON's After-sales Service for service and repair work.
-

12.1 Returning devices to SAMSON

Defective devices can be returned to SAMSON for repair.

Proceed as follows to return devices:

1. Exceptions apply concerning some special device models ► www.samsongroup.com > SERVICE > After-sales Service > Returning goods.
2. Register the return shipment and include the following information by e-mail returns-de@samsongroup.com:
 - Type
 - Article no.
 - Configuration ID
 - Original order
 - Completed Declaration on Contamination, which can be downloaded from the Internet at: ► www.samsongroup.com > SERVICE > After-sales Service > Returning goods

After checking your registration, we will send you a return merchandise authorization (RMA).

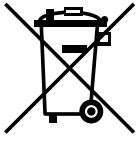
3. Attach the RMA (together with the Declaration on Decontamination) to the outside of your shipment so that the documents are clearly visible.
4. Send the shipment to the address given on the RMA.

Note

Further information on returned devices and how they are handled can be found at:

► www.samsongroup.com > Service > After-sales Service

13 Disposal



SAMSON is a producer registered in Europe, agency in charge

▶ www.samsongroup.com > About SAMSON > Environment, Social & Governance > Material Compliance > Waste electrical and electronic equipment (WEEE)
WEEE reg. no.: DE 62194439

Information on substances listed as substances of very high concern (SVHC) on the candidate list of the REACH regulation can be found in the document "Additional Information on Your Inquiry/Order", which is added to the order documents, if applicable. This document includes the assigned SCIP number, which can be entered into the database on the European Chemicals Agency (ECHA) website to find out more information on the SVHC ▶ <https://www.echa.europa.eu/scip-database>.

i Note

SAMSON can provide you with a recycling passport on request. Simply e-mail us at aftersaleservice@samsongroup.com giving details of your company address.

💡 Tip

On request, SAMSON can appoint a service provider to dismantle and recycle the product as part of a distributor take-back scheme.

- ⇒ Observe local, national and international refuse regulations.
- ⇒ Do not dispose of components, lubricants and hazardous substances together with your other household waste.

14 Certificates

These declarations are included on the next pages:

- Declaration of incorporation in compliance with Machinery Directive 2006/42/EC

The certificates shown were up to date at the time of publishing. The latest certificates can be found on our website:

- ► www.samsongroup.com > Products > Actuators > 3271
- ► www.samsongroup.com > Products > Actuators > 3277

Other optional certificates are available on request.

DECLARATION OF INCORPORATION TRANSLATION



Declaration of Incorporation in Compliance with Machinery Directive 2006/42/EC

For the following products:

Type 3271 and Type 3277 Actuators

We certify that the Type 3271 and Type 3277 Actuators are partly completed machinery as defined in the Machinery Directive 2006/42/EC and that the safety requirements stipulated in Annex I, 1.1.2, 1.1.3, 1.1.5, 1.3.2, 1.3.4 and 1.3.7 are observed. The relevant technical documentation described in Annex VII, part B has been compiled.

Products we supply must not be put into service until the final machinery into which it is to be incorporated has been declared in conformity with the provisions of the Machinery Directive 2006/42/EC.

Operators are obliged to install the products observing the accepted industry codes and practices (good engineering practice) as well as the mounting and operating instructions. Operators must take appropriate precautions to prevent hazards that could be caused by the signal pressure and moving parts in/on the actuator.

The permissible limits of application and mounting instructions for the products are specified in the associated data sheets as well as the mounting and operating instructions; the documents are available in electronic form on the Internet at www.samson.de.

For product descriptions of the actuators, refer to:

- Types 3271 and 3277 Actuators: Mounting and Operating Instructions EB 8310-X

Referenced technical standards and/or specifications:

- VCI, VDMA, VGB: "Leitfaden Maschinenrichtlinie (2006/42/EG) – Bedeutung für Armaturen, Mai 2018" [German only]
- VCI, VDMA, VGB: "Zusatzdokument zum „Leitfaden Maschinenrichtlinie (2006/42/EG) – Bedeutung für Armaturen vom Mai 2018" [German only], based on DIN EN ISO 12100:2011-03

Comments:

- See mounting and operating instructions for residual hazards.
- Also observe the referenced documents listed in the mounting and operating instructions.

Persons authorized to compile the technical file:

SAMSON AG, Weismüllerstraße 3, 60314 Frankfurt am Main, Germany
Frankfurt am Main, 1 October 2019

Dr. Michael Heß
Director
Product Management and Technical Sales

Peter Scheermesser
Director
Product Upgrades and ETO Valves and Actuators

15 Appendix

15.1 Tightening torques, lubricants and tools

► AB 0100 tools, tightening torques and lubricants

15.2 Spare parts

1	Top diaphragm case	73	Cover ⁶⁾
2	Bottom diaphragm case	75	Top diaphragm case ⁶⁾
4	Diaphragm	76	Radial shaft seal ⁶⁾
5	Diaphragm plate	77	Dry bearing ⁶⁾
7	Actuator stem	78	Lock nut ⁶⁾
8	Ring nut	100	Nameplate
9	Hex nut	101	Label (preloaded springs)
10	Spring (external)	140	Eyebolt
11	Spring (internal)	160*	Dust shield (option)
12	Spring (internal)	300	Stopper
16	Vent plug	310	Eyebolt cover
17	O-ring	⁶⁾	Only for version with travel stop
20	Hex bolt	⁷⁾	Not shown
21	Hex nut		
22	Hex bolt (preloaded springs)		
23	Hex nut (preloaded springs)		
25	Washer		
26/27	Stem connector clamps		
29	Hex bolt		
32	Hanger ⁶⁾⁷⁾		
33	Nut		
34	Nut		
35	Compressor		
36	Spacer		
40	Radial shaft seal		
41	Wiper ring		
42	Dry bearing		
47	Hex bolt		
48	Follower clamps		
50	Spindle		
51	Stem connector		
52	Cover		
54	Ring		
57	Coupling nut		
58	Sliding washer		
59	Flange		
60	Handwheel		
62	Dowel pin		
63	Threaded pin		
64	Cap screw		
65	Cap screw		
66	Hex nut		
67	Retaining ring		
68	Axial needle seal		
69	Washer		
70	Lock nut ⁶⁾		

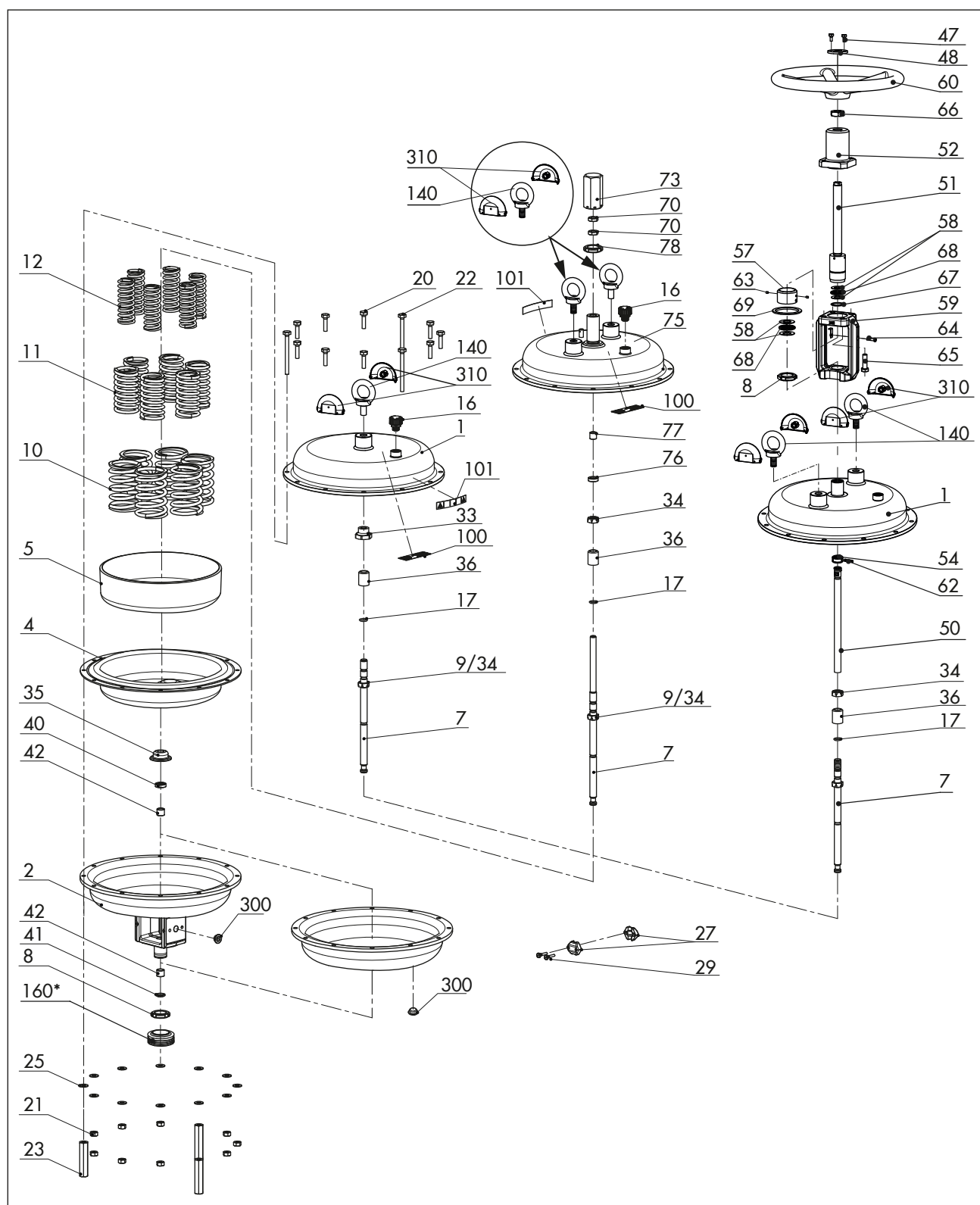


Fig. 33: Type 3271/3277 Actuator (175v2/350v2/750v2 cm²)

15.3 After-sales service

Contact our after-sales service for support concerning service or repair work or when malfunctions or defects arise.

E-mail contact

You can reach our after-sales service at aftersalesservice@samsongroup.com.

Addresses of SAMSON AG and its subsidiaries

The addresses of SAMSON AG, its subsidiaries, representatives and service facilities worldwide can be found in all SAMSON product catalogs or on our website (▶ www.samsongroup.com).

Required specifications

Please submit the following details:

- Order number and position number in the order
- Type, model number, actuator area, travel, direction of action and bench range (e.g. 0.2 to 1 bar) or the operating range of the actuator
- Type designation of mounted valve (if applicable)
- Installation drawing



SAMSON AKTIENGESELLSCHAFT
Weismüllerstraße 3 · 60314 Frankfurt am Main, Germany
Phone: +49 69 4009-0 · Fax: +49 69 4009-1507
samson@samsongroup.com · www.samsongroup.com