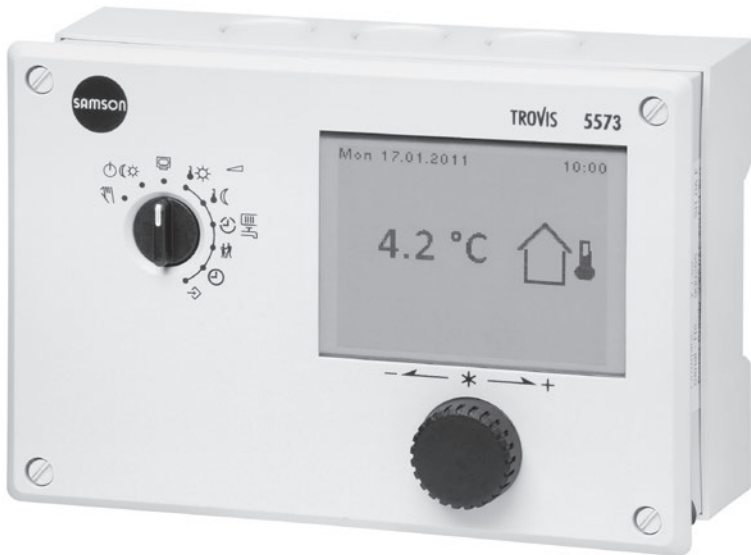


TROVIS 5500 Automation System TROVIS 5573-1 Heating and District Heating Controller

With graphics display

SAMSON



Mounting and Operating Instructions

EB 5573-1 EN

Firmware version 2.2x
Edition July 2015

Controller versions

The TROVIS 5573-1 Heating and District Heating Controller is available in various versions. The type designation on the nameplate indicates the controller version:

Type designation (nameplate)	Version
TROVIS 5573-100x	Heating and district heating controller with plain-text readings on a graphics display
TROVIS 5573-110x	Heating and district heating controller with graphics display and M-bus interface for three M-bus units

These mounting and operating instructions are valid for both controller versions.

Firmware revisions	
Old	New
2.20	2.24
	Internal revisions
2.24	2.26
	New error indication function (CO5 > F07)
	0 to 10 V signal for outdoor temperature function extended (CO5 > F23) Outdoor temperatures can be received and sent by a 0 to 10 V signal.

Definition of signal words



DANGER!

Hazardous situations which, if not avoided, will result in death or serious injury



NOTICE

Property damage message or malfunction



WARNING!

Hazardous situations which, if not avoided, could result in death or serious injury



Note:

Additional information



Tip:

Recommended action

1	Safety instructions	6
1.1	Disposal	6
2	Operation	7
2.1	Operating controls	7
2.1.1	Rotary pushbutton	7
2.1.2	Rotary switch	7
2.2	Reading information	8
2.2.1	Adapting the Trend-Viewer	10
2.3	Selecting operating modes	11
2.4	Setting the time and date	13
2.5	Setting the times-of-use	15
2.6	Setting special times-of-use	17
2.6.1	Party timer	17
2.6.2	Public holidays	18
2.6.3	Vacations	19
2.7	Entering day and night set points	21
3	Start-up	23
3.1	Setting the system code number	24
3.2	Activating and deactivating functions	25
3.3	Changing parameters	27
3.4	Calibrating sensors	28
3.5	Altering the display contrast	30
3.6	Changing the display language	30
3.7	Loading default setting	31
4	Manual mode	32
5	Systems	33
6	Functions of the heating circuit	71
6.1	Weather-compensated control	71
6.1.1	Gradient characteristic	72
6.1.2	Four-point characteristic	74
6.2	Fixed set point control	75
6.3	Underfloor heating/drying of jointless floors	76
6.4	Outdoor temperature for continuous day mode	77

6.5	Buffer tank systems Anl 16.x	78
6.6	Summer mode	79
6.7	Delayed outdoor temperature adaptation	80
6.8	Remote operation	80
6.9	Optimization	81
6.10	Flash adaptation	82
6.10.1	Flash adaptation without outdoor sensor (based on room temperature)	83
6.11	Adaptation	84
6.12	Cooling control	84
7	Functions of the DHW circuit	87
7.1	DHW heating in the storage tank system	87
7.1.1	DHW circuit additionally controlled by a globe valve	89
7.2	DHW heating in the storage tank charging system	90
7.3	DHW heating in instantaneous heating system	92
7.4	Domestic hot water heating with solar system	93
7.5	Intermediate heating	94
7.6	Parallel pump operation	94
7.7	Speed control of charging pump	94
7.8	Circulation pump during storage tank charging	95
7.9	Priority position	95
7.9.1	Reverse control	95
7.9.2	Set-back operation	96
7.10	Forced charging of DHW storage tank	97
7.11	Thermal disinfection of DHW storage tank	97
8	System-wide functions	99
8.1	Automatic summer/standard time switchover	99
8.2	Frost protection	99
8.3	Forced pump operation	100
8.4	Return flow temperature limitation	100
8.5	Condensate accumulation control	101
8.6	Three-step control	102
8.7	On/off control	102

8.8	Continuous control in control circuit RK1	103
8.9	Releasing a control circuit/controller with binary input	103
8.10	Processing an external demand in control circuit RK1	104
8.11	Creep feed rate limitation with a binary input	105
8.12	Locking manual level	106
8.13	Locking the rotary switch	106
8.14	Feeder pump operation	106
8.15	External demand for heat due to insufficient heat supply	106
8.16	Entering customized key number	107
9	Operational faults	109
9.1	Error list	109
9.2	Sensor failure	109
9.3	Temperature monitoring	110
9.4	Error status register	110
9.5	Alarm notification by text message	111
10	Communication	113
10.1	RS-232 to modem communication module	114
10.2	RS-485 communication module	115
10.3	Description of communication parameter settings	116
10.4	Meter bus	117
10.4.1	Activating the meter bus	117
10.4.2	Flow rate and/or capacity limitation with meter bus	118
10.5	Memory module	121
10.6	Data logging	122
11	Installation	124
12	Electrical connection	127
13	Appendix	132
13.1	Function block lists	132
13.2	Parameter lists	144
13.3	Resistance values	150
13.4	Technical data	151
13.5	Customer setting	152

1 Safety instructions

For your own safety, follow these instructions concerning the mounting, start up and operation of the controller:

- The controller is to be mounted, started up or operated only by trained and experienced personnel familiar with the product.
- For electrical installation, you are required to observe the relevant electrotechnical regulations of the country of use as well as the regulations of the local power suppliers. Make sure all electrical connections are installed by trained and experienced personnel. Before performing any such work on the controller, disconnect it from the power supply.
- The controller is designed for use in low voltage installations. For wiring and maintenance, you are required to observe the relevant regulations concerning device safety and electromagnetic compatibility.

To avoid damage to any equipment, the following also applies:

- Proper shipping and storage are assumed.
- Before start-up, wait until the controller has reached the ambient temperature.

1.1 Disposal

Waste electrical and electronic equipment may still contain valuable substances. They may also, however, contain harmful substances which were necessary for them to function. For this reason, do not dispose this kind of equipment together with your other household waste. Instead, dispose of your waste equipment by handing it over to a designated collection point for the recycling of waste electrical and electronic equipment.

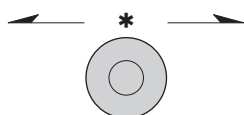
2 Operation

The controller is ready for use with the default temperatures and operating schedules. On start-up, the current time and date need to be set at the controller (refer to section 2.4).

2.1 Operating controls

The operating controls are located in the front panel of the controller.

2.1.1 Rotary pushbutton



Rotary pushbutton

Turn [↻]:

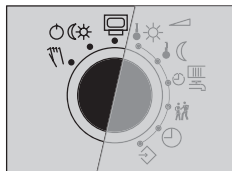
Select readings, parameters and function blocks

Press [*]:

Confirm adjusted selection or settings

2.1.2 Rotary switch

The rotary switch is used to set the operating mode and the relevant parameters for each control circuit.



Operating level

Operating modes

Manual level



Day set point (rated room temperature)

Night set point (reduced room temperature)


Times-of-use for heating/DHW

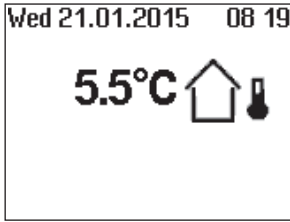
Special time-of-use

Time/date

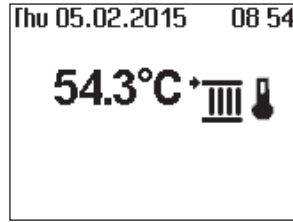
Settings

2.2 Reading information

The display indicates the date, time and actual temperature when the rotary switch is positioned at  (operating level).

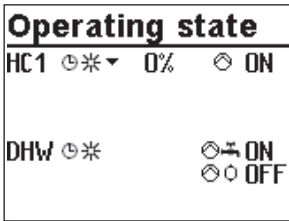


Weather-compensated control
current temperature = outdoor temperature



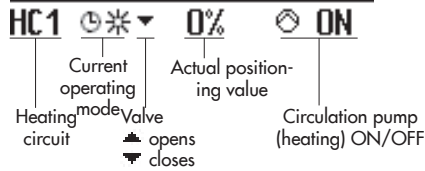
Fixed set point control
current temperature = flow temperature

Further information can be obtained by turning the rotary pushbutton:

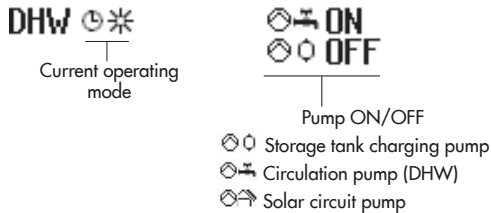


Operating state

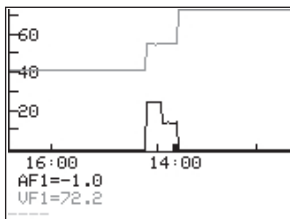
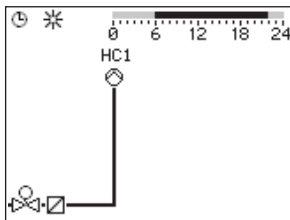
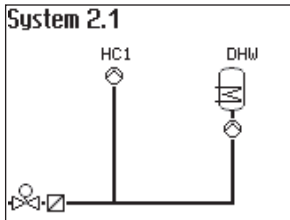
The following applies for heating circuits HC1 and HC2:



The following applies for DHW heating:



For further details, refer to section 2.3.



- ⌚ Selected system code number
For further details, refer to section 3.1.
- * Important measured values of the entire system, e.g. outdoor temperature, flow temperature and return flow temperature, are displayed.
- ⌚ Times-of-use (depending on system code number)
 - Heating circuit HC1
 - Heating circuit HC2
 - DHW heating

The day mode times is highlighted in black on the time chart.
Night mode and deactivation times are highlighted in gray on the time chart.
For further details, refer to section 2.5.
- * Measured values, set points and limits of the system section shown are displayed.
- ⌚ Trend-Viewer
The standard graph shows the data measured at the outdoor sensor AF1 and flow sensor VF1 plotted over time.
For further details, refer to section 2.2.1.



Note:

*Details on the controller version (device identification, serial number, software and hardware versions) are displayed in the **extended operating level**.*

Information	
Modbus ID	5578
Serial number	8
Software version	2.20
Hardware version	1.51

Turn the rotary switch to ⚙ (settings).

⌚ Enter key number 1999.

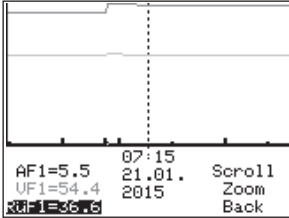
* Confirm key number.

Turn the rotary switch to 🏠 (operating level).

⌚ Select 'Information'.

2.2.1 Adapting the Trend-Viewer

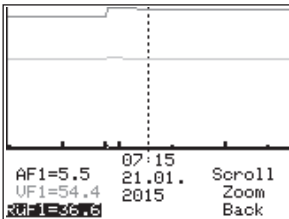
The standard graph shows the data measured at the outdoor sensor AF1 and flow sensor VF1 plotted over time.



- * Open the Trend-Viewer.

Adding measuring data

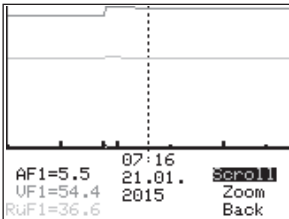
- ⌚ Select ---- on the display.
- * Activate editing mode for sensor selection.
- ⌚ Select sensor.



- * Confirm selected sensor.

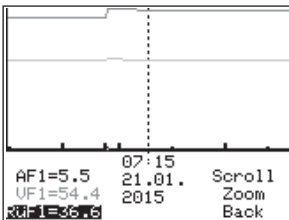
Deleting measured data:

- ⌚ Select the sensor whose measured data are no longer to be displayed.
- * Activate editing mode for sensor.
- ⌚ Select ---- on the display.
- * Confirm deletion.

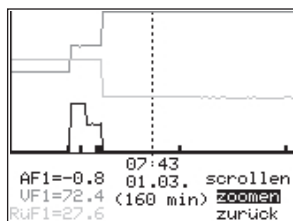


Shifting the time line:

- ⌚ Select 'Scroll'.
- * Activate editing mode for scroll function.

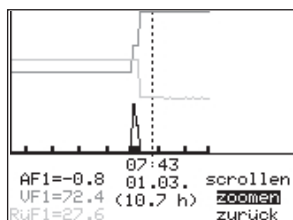


- ⌚ Shift the time line.
- * Confirm time display.



Zooming in/out

- ↶ Select 'Zoom'.
- * Open zoom function.
- ↷ Zoom in or out.



- * Confirm display.

Closing the Trend-Viewer

- ↶ Select 'Back'.
- * Close the Trend-Viewer

2.3 Selecting operating modes

Day mode (rated operation): regardless of the programmed times-of-use and summer mode, the set points relevant for rated operation are used by the controller. Icon: **

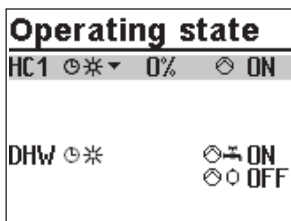
Night mode (reduced operation): regardless of the programmed times-of-use, the set points relevant for reduced operation are used by the controller. Icon:)

Control operation deactivated: regardless of the programmed times-of-use, control operation of the heating circuits and DHW heating remains deactivated. The frost protection is activated, if need be. Icon: ☺☺

Icons when the frost protection is activated: HC ☺☺), DHW ☺☺*

Automatic mode: during the programmed times-of-use, the controller works in day mode. Outside these times-of-use, the controller is in night mode, unless control operation is deactivated depending on the outdoor temperature. The controller switches automatically between both operating modes. Icon within the times-of-use: ☺**, icon outside the times-of-use: ☺)

Manual mode: valves and pumps can be controlled manually. For further details, refer to section 4.

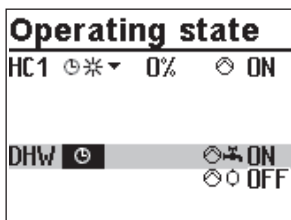


Turn the rotary switch to (operating modes). The operating states of all system control circuits are displayed:

- Heating circuit HC1
- Heating circuit HC2
- DHW heating

➔ Only those control circuits are available for selection which can be controlled by the selected system.

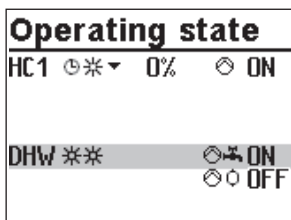
⌚ Select the control circuit.



* Activate editing mode for the control circuit. The operating mode is shown inverted on the display.

⌚ Select the operating mode:

- Automatic mode
- Day mode
- Night mode
- System deactivated



* Confirm the operating mode.

2.4 Setting the time and date

The current time and date need to be set immediately after start-up and after a power failure lasting more than 24 hours. This is the case when the time blinks on the display.

Time/date	
Time	08:23
Date (dd.mm.)	21.01.
Year	2015
Auto summertime	ON

Turn the rotary switch to ⊕ (time/date). The current time is selected (gray background).

Time/date	
Time	08:23
Date (dd.mm.)	21.01.
Year	2015
Auto summertime	ON

- * Activate editing mode for the time. The time reading is inverted.
- ⊖ Change the time.
- * Confirm the time setting.

Time/date	
Time	08:44
Date (dd.mm.)	21.01.
Year	2015
Auto summertime	ON

- ⊖ Select 'Date' (dd.mm) [⊖].

Time/date	
Time	08:44
Date (dd.mm.)	21.01.
Year	2015
Auto summertime	ON

- * Activate editing mode for the date. The date reading is inverted.
- ⊖ Change date (day.month).
- * Confirm the date setting.

Time/date	
Time	08:45
Date (dd.mm.)	05.02.
Year	2010
Auto summertime	ON

⌚ Select 'Year'.

Time/date	
Time	08:45
Date (dd.mm.)	05.02.
Year	2010
Auto summertime	ON

* Activate editing mode for the year. The year reading is inverted.

⌚ Change the year.

* Confirm the year setting.

Deactivate or activate the automatic summer/standard time switchover as required. Refer to section 8.1:

Time/date	
Time	08:45
Date (dd.mm.)	05.02.
Year	2015
Auto summertime	ON

⌚ Select 'Auto summertime'.

Time/date	
Time	08:45
Date (dd.mm.)	05.02.
Year	2015
Auto summertime	ON

* Activate the editing mode for automatic summer/standard time switchover. The current setting is shown inverted on the display:

ON = Summer/standard time switchover active

OFF = Summer/standard time switchover not active

⌚ Deactivate or activate the automatic summer/standard time switchover.

* Confirm deactivation/activation.

Turn the rotary switch back to  (operating level).



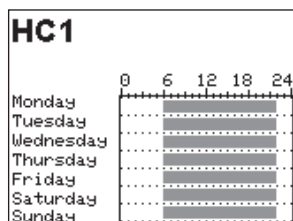
Note:

The correct time is guaranteed after a power failure of 24 hours. Normally, the correct time is still retained at least 48 hours after a power failure.

2.5 Setting the times-of-use

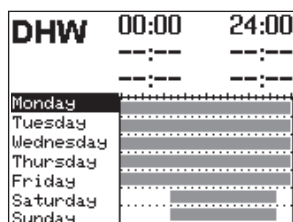
Three times-of-use can be set for each day of the week.

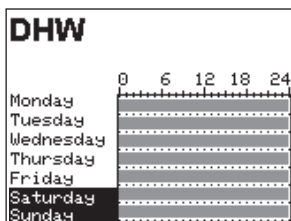
Parameters	WE		Value range
	HC1, HC2 DHW, CP		
Start first time-of-use	06:00	00:00	00:00 to 24:00 h; in steps of 15 minutes
Stop first time-of-use	22:00	24:00	00:00 to 24:00 h; in steps of 15 minutes
Start second time-of-use	--:--	--:--	00:00 to 24:00 h; in steps of 15 minutes
Stop second time-of-use	--:--	--:--	00:00 to 24:00 h; in steps of 15 minutes
Start third time-of-use	--:--	--:--	00:00 to 24:00 h; in steps of 15 minutes
Stop third time-of-use	--:--	--:--	00:00 to 24:00 h; in steps of 15 minutes



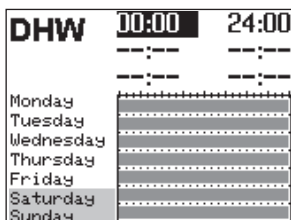
Turn the rotary switch to \odot (times-of-use). The first control circuit is displayed together with its programmed times-of-use.

- ⦿ Program the times-of-use of another control circuit, if required:
 - Heating circuit HC2
 - DHW heating
 - Circulation pump (DHW) CP
- ➔ Only those control circuits are available for selection which can be controlled by the selected system.
- * Activate editing mode for the control circuit. The times-of-use for Monday are displayed.

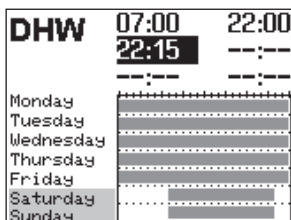




- ⌂ Select period/day for which the times-of-use are to be valid. The times-of-use can be programmed for individual days or for a block of days, e.g. Monday to Friday, Saturday and Sunday or Monday to Sunday. The selected days are shown inverted on the display.



- * Activate editing mode for the period/day. The start time of the first time-of-use period can now be edited (inverted reading).

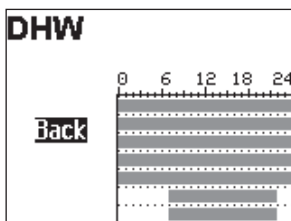



- ⌂ Change start time (in steps of 15 minutes).
- * Confirm the start time. The stop time of the first time-of-use period can now be edited.
- ⌂ End stop time (in steps of 15 minutes).
- * Confirm the stop time. The start time of the second time-of-use period can now be edited.

To set the second and third times-of-use periods, repeat steps with gray background. If no further times-of-use are to be programmed for the selected time period/day, exit the menu by confirming the indicated start time twice (2x *).

Proceed in the same manner to program further periods/days.

After setting all times-of-use:



- ⌂ Select 'Back'.
 - * Exit the times-of-use setting.
- Turn the rotary switch back to  (operating level).

2.6 Setting special times-of-use

2.6.1 Party timer


Rated operating in the corresponding control circuit (HC1, HC2 or DHW) is started or continued for the time period set in the party timer. When the party timer has elapsed, the party timer returns to --:--.

Parameters	WE	Value range
HC1 party timer	--:-- h	0 to 48 h; in steps of 15 minutes
HC2 party timer	--:-- h	0 to 48 h; in steps of 15 minutes
DHW party timer	--:-- h	0 to 48 h; in steps of 15 minutes

Special use	
HC1 Party timer	--:-- h
DHW Party timer	--:-- h
Public holidays	----
Vacations	---.---.---.---

Special use	
HC1 Party timer	--:-- h
DHW Party timer	--:-- h
Public holidays	----
Vacations	---.---.---.---

Special use	
HC1 Party timer	02:00 h
DHW Party timer	--:-- h
Public holidays	----
Vacations	---.---.---.---

Turn the rotary switch to  (special times-of-use). The party timer for the first control circuit is now selected.

- ⌚ Set party timer of another control circuit, if required:
 - Heating circuit HC2
 - DHW heating

➔ Only those control circuits are available for selection which can be controlled by the selected system.

* Activate editing mode for the party timer. The party timer is now in the editing mode (inverted display).

- ⌚ Extend day operation as required (in steps of 15 minutes).

* Confirm setting.

After setting the party timer:

Turn the rotary switch back to  (operating level).



Note:

Party timer runs down in steps of 15 minutes.

2.6.2 Public holidays

On public holidays, the times-of-use specified for Sunday apply.

A maximum of 20 public holidays may be entered.

Parameters	WE	Value range
Public holidays	--:--	01.01 to 31.12

Special use

HC1 Party timer	--:-- h
DHW Party timer	--:-- h
Public holidays	----
Vacations	--:-- . - - - : - - .

Turn the rotary switch to **#** (special times-of-use). The party timer for the first control circuit is now selected.

- ⌚ Select 'Public holidays'.

Public holidays

--:--

Back

- * Start the public holiday setting. The first public holiday setting is now selected. --:-- is displayed if no public holidays (default setting) have been programmed.

- ⌚ Select --:-- , if applicable.

Public holidays

--:--

Back

- * Activate editing mode for public holidays.

- ⌚ Set the date of the public holiday.

- * Confirm the date.

Proceed in the same manner to program further public holidays.

Deleting a public holiday:

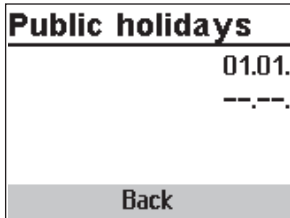
- ⌚ Select the holiday you wish to delete.

- * Confirm the date.

- ⌚ Select --:--.

- * Confirm setting.

The public holiday is deleted.



After programming all public holidays:

- ⌂ Select 'Back'.
 - * Exit the public holiday setting.
- Turn the rotary switch back to (operating level).



Note:

Public holidays that are not assigned to a specific date should be deleted by the end of the year so that they are not carried on into the following year.

2.6.3 Vacations

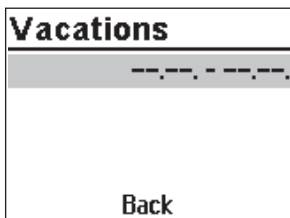
The system runs constantly in reduced mode during vacation periods. A maximum of ten vacation periods can be entered. Each vacation period can be separately assigned to the heating circuits HC1, HC2 and DHW circuit or to all control circuits.

Parameters	WE	Value range
Vacation period	--- - ---	01.01 to 31.12



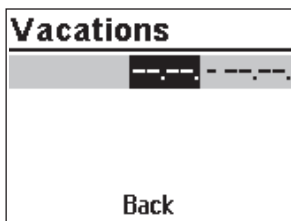
Turn the rotary switch to (special times-of-use). The party timer for the first control circuit is now selected.

- ⌂ Select 'Vacations'.

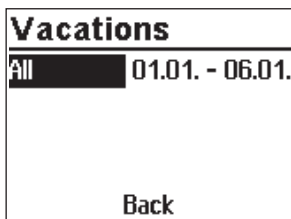


- * Start the vacations setting. The first vacations setting is now selected. ---.---.---.---. is displayed if no vacations (default setting) have been programmed.

- ⌂ Select ---.---.---.---., if applicable.



- ⌚ Activate editing mode for vacations.
The start date can now be edited (inverted reading).
- ⌚ Set the start date.
- ⌚ Confirm the start date.
The end date can now be edited.
- ⌚ Set the end date.



- ⌚ Confirm the year setting. 'All' is selected. The vacation period then applies to all control circuits.
- ⌚ If the vacation period is to be only valid for one control circuit, select the required control circuit:
 - Heating circuit HC1
 - Heating circuit HC2
 - DHW heating

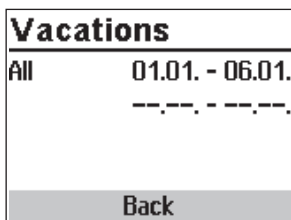
➔ Only those control circuits are available for selection which can be controlled by the selected system.

- * Confirm the control circuit.


Proceed in the same manner to program further vacations.

Deleting vacation periods:

- ⌚ Select the start date of the period you wish to delete.
- * Confirm vacation period.
- ⌚ Select --.-- - --.--.
- * Confirm setting.
The vacation period is deleted.



After programming all vacation periods:

- ⌚ Select 'Back'.
 - * Exit the vacations setting.
- Turn the rotary switch back to  (operating level).



Note:

Vacations should be deleted by the end of the year so that they are not carried on into the following year.

2.7 Entering day and night set points

The desired room temperature for the day and night set points can be programmed.

Switch position ↓✱

Parameters	WE	Value range
HC1 room temperature	20.0 °C	0.0 to 40.0 °C
HC2 room temperature	20.0 °C	0.0 to 40.0 °C
DHW temperature	55.0 °C	Min. to max. DHW temperature
HC1 OT deactivation value	22.0 °C	0.0 to 50.0 °C
HC2 OT deactivation value	22.0 °C	0.0 to 50.0 °C

Switch position ↓Ⓒ

Parameters	WE	Value range
HC1 room temperature	15.0 °C	0.0 to 40.0 °C
HC2 room temperature	15.0 °C	0.0 to 40.0 °C
DHW temperature	40.0 °C	Min. to max. DHW temperature
HC1 OT deactivation value	15.0 °C	0.0 to 50.0 °C
HC2 OT deactivation value	15.0 °C	0.0 to 50.0 °C

Night set points

HC1 Room temp.	15.0°C
DHW DHW temp.	40.0°C
HC1 OT deac. day	15.0°C

Turn the rotary switch to ↓✱ (day set point) or ↓Ⓒ (night set point).

The day or night set points are listed on the display.

→ Only those day and night set points are available for selection which can be controlled by the selected system.



Note:

The deactivation values are located in a separate menu (deactivation values) for systems with three control circuits.

⌚ Select the set point.

Night set points		
HC1	Room temp.	15.0°C
DHW	DHW temp.	40.0°C
HC1	OT deac. da	15.0°C

* Activate editing mode for set point.

↻ Adjust the set point.

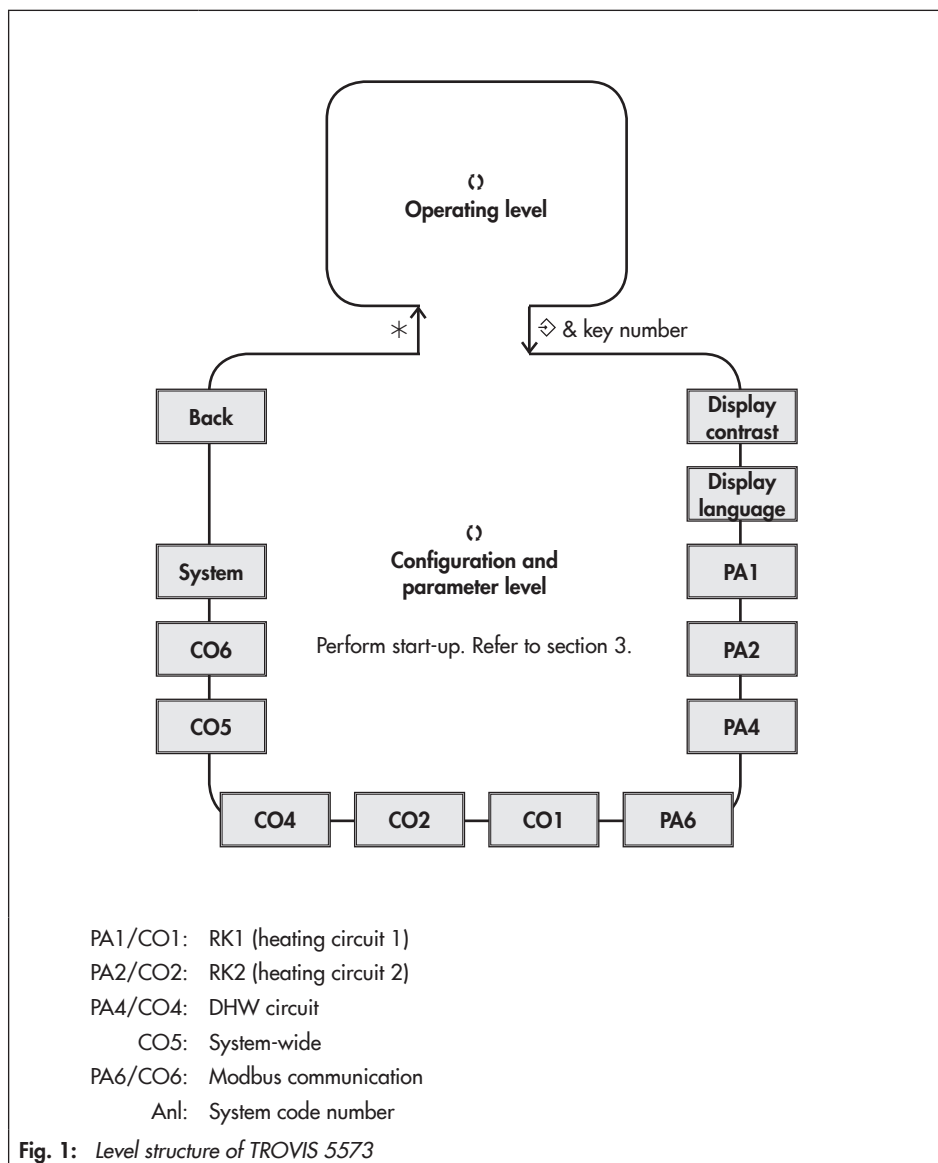
* Confirm setting.

Proceed in the same manner to adjust further set points.

After adjusting all the set points:

Turn the rotary switch back to  (operating level).

3 Start-up



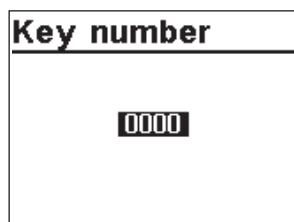
The modifications of the controller configuration and parameter settings described in this section can only be performed after the valid key number has been entered.

The key number that is valid on the first start-up can be found on page 163. To avoid unauthorized use of the service key number, remove the page or make the key number unreadable. In addition, it is possible to enter a new, customized key number (refer to section 8.16).

3.1 Setting the system code number

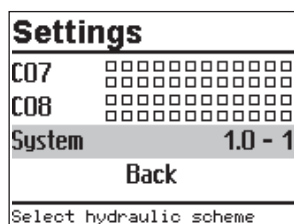
31 different hydraulic schematics are available. Each system configuration is represented by a system code number. The different schematics are dealt with in section 5. Available controller functions are described in sections 6, 7 and 8.

Changing the system code number resets previously adjusted function blocks to their default settings (WE). Function block parameters and parameter level settings remain unchanged. The system code number is set in the configuration and parameter level.

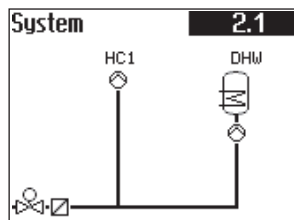


Turn the rotary switch to \diamond (settings).

- ⌂ Enter the currently valid key number.
- * Confirm key number.



- ⌂ Select 'System'.
- * Open 'System'.



- ⌂ Select the required system.

Settings	
CO7	□□□□□□□□□□□□□□
CO8	□□□□□□□□□□□□□□
System	2.1
Back	
Select hydraulic scheme	

- * Confirm the system selected.
 - ↻ Select 'Back'.
 - * Exit menu.
- Turn the rotary switch to ↻ (settings).

3.2 Activating and deactivating functions

A function is activated or deactivated in the associated function block. For more details on function blocks, refer to section 13.1.

Key number
0000

- Turn the rotary switch to ↻ (settings).
- ↻ Enter the currently valid key number.
 - * Confirm key number.

Settings	
Display language	English
PA1	
PA6	
CO1	□□■□□□□□□□□□
	■□□□□□□□□□□□
Configuration of first hea	

- ↻ Select the required configuration level:
 - CO1: Heating circuit HC1
 - CO2: Heating circuit HC2
 - CO3: Not applicable
 - CO4: DHW heating
 - CO5: System-wide functions
 - CO6: Modbus communication

Active function blocks are indicated by the black squares.

- ➔ Only those configuration levels are available for selection which can be controlled by the selected system.

CO1	▣▣▣▣▣▣▣▣▣▣▣▣▣▣
F01 Room sensor	0
F02 Outdoor sensor	1
F03 Return flow sensor	1
F04 Cooling control	0
Room sensor RF1	

CO1	▣▣▣▣▣▣▣▣▣▣▣▣▣▣
F05 Underfloor heating	
F05	1
Start temperature	25.0°C
Temp. rise/date	5.0°C
jointless floors	Under

CO1	▣▣▣▣▣▣▣▣▣▣▣▣▣▣
F17 Binary demand	0
F18 Requesting demand	0
F20 Ext. heat demand	0
Back	
Exit menu	

- * Open configuration level.
The first function block is selected (marked gray).

⌚ Select function.

Functions without function block parameters:

- * Activate editing mode for the function.
The currently active configuration '0' or '1' is shown inverted on the display.
- ⌚ Activate function (1) or deactivate function (0).
- * Confirm configuration.

Functions with function block parameters:

- * Open function.
- ⌚ Select configuration.
- * Activate editing mode for configuration.
The currently active configuration '0' or '1' is shown inverted on the display.
- ⌚ Activate function (1) or deactivate function (0).
- * Confirm configuration.
- ⌚ Select function block parameter.
- * Activate editing mode for function block parameter.
The current setting is shown inverted on the display.
- ⌚ Set function block parameter.

Proceed in the same manner to set further function blocks.

Exit configuration level:

- ⌚ Select 'Back'.
- ⌚ Exit configuration level.

To adjust further function blocks in other configuration levels, repeat steps with gray background.

Turn the rotary switch back to  (operating level).

3.3 Changing parameters

Depending on the system code number selected and the activated functions, not all parameters listed in section 13.2 might be available.

Key number
0000





Turn the rotary switch to \diamond (settings).

- ⌂ Enter the currently valid key number.
- * Confirm key number.

Settings
Display contrast 50
Display language English
PA1
PA4
Parameterization of first

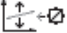
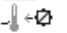
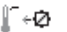
- ⌂ Select the required parameter level:
 - PA1: Heating circuit HC1
 - PA2: Heating circuit HC2
 - PA3: Not applicable
 - PA4: DHW heating
 - PA5: Not applicable
 - PA6: Modbus communication

➔ Only those parameter levels are available for selection which can be controlled by the selected system.

PA 1
P01  1.0
P02  0.0°C
P06  20.0°C
P07  50.0°C
Flow gradient

- * Open parameter level.
The first parameter is selected (marked gray).

- ⌂ Select parameter.
- * Activate editing mode for the parameter.
The current setting is shown inverted on the display.
- ⌂ Set the parameter.
- * Confirm setting.
- * Proceed in the same manner to change further parameters.

PA1	
P12 	0.0°C
P13 	65.0°C
P14 	65.0°C
Back	
Exit menu	

Exit parameter level.

- ⊞ Select 'Back'.
- ⊞ Exit configuration level.

To adjust further function blocks in other configuration levels, repeat steps with gray background.

Turn the rotary switch back to  (operating level).

3.4 Calibrating sensors

The controller is designed for connection of Pt 1000 sensors. The Pt 1000 resistance values are listed on page 150.

If the temperature values displayed at the controller differ from the actual temperatures, the measured values of all connected sensors can be recalibrated. To calibrate a sensor, the currently displayed sensor value must be changed such that it matches the temperature (reference temperature) measured directly at the point of measurement. Sensor calibration is activated in CO5 in F20 function block.

An incorrect sensor calibration can be deleted by setting F20 - 0.

Key number
0000

Turn the rotary switch to  (settings).

- ⊞ Enter the currently valid key number.
- * Confirm key number.

Settings	
PA6	
CO1	<input type="checkbox"/> <input checked="" type="checkbox"/> <input checked="" type="checkbox"/> <input checked="" type="checkbox"/> <input type="checkbox"/> <input type="checkbox"/> <input type="checkbox"/> <input type="checkbox"/> <input type="checkbox"/> <input type="checkbox"/> <input type="checkbox"/> <input type="checkbox"/> <input type="checkbox"/> <input type="checkbox"/> <input type="checkbox"/> <input type="checkbox"/> <input type="checkbox"/>
CO4	<input checked="" type="checkbox"/> <input type="checkbox"/> <input type="checkbox"/> <input type="checkbox"/> <input type="checkbox"/> <input type="checkbox"/> <input type="checkbox"/> <input type="checkbox"/> <input type="checkbox"/> <input type="checkbox"/> <input type="checkbox"/> <input type="checkbox"/> <input type="checkbox"/> <input type="checkbox"/> <input type="checkbox"/> <input type="checkbox"/> <input type="checkbox"/>
CO5	<input checked="" type="checkbox"/> <input type="checkbox"/> <input type="checkbox"/> <input type="checkbox"/> <input type="checkbox"/> <input type="checkbox"/> <input type="checkbox"/> <input type="checkbox"/> <input type="checkbox"/> <input type="checkbox"/> <input type="checkbox"/> <input type="checkbox"/> <input checked="" type="checkbox"/> <input checked="" type="checkbox"/> <input checked="" type="checkbox"/> <input checked="" type="checkbox"/> <input type="checkbox"/>
General configuration	

- * Select CO5 configuration level.
- * Open CO5 configuration level.
- * Select F20 function block.
- * Activate editing mode for F20 function block.


CO5	▣■▣▣▣▣▣▣■▣▣▣
F16 Rtn flow limit P	0
F19 Monitoring	0
F20 Sensor calibration	
F20	1
Sensor calibration	

CO5	▣■▣▣▣▣▣▣■▣▣▣
F20 Sensorabgleich	
F20	1
HK1 Außentemp.	-0.9°C
HK1 Vorlauftemp.	72.3°C

CO5	▣■▣▣▣▣▣▣■▣▣▣
F21 Lock manual level	0
F22 Lock rotary switch	0
F23 0-10 V OT signal	0
Back	
Exit menu	

- ⌂ Select F20 configuration.
- * Activate editing mode for configuration.
The currently active configuration '0' or '1' is shown inverted on the display.
- ⌂ Activate function block ('1').
- * Confirm activation.
- * Select the temperature that you want to calibrate.
- * Open calibration.
The temperature is shown inverted on the display.
- * Correct measured value.
Read the actual temperature directly from the thermometer at the point of measurement and enter this value as the reference temperature.
- * Confirm corrected measured value.
- * Proceed in the same manner to calibrate further sensors.



Exit configuration level:

- ⌂ Select 'Back'.
 - ⌂ Exit configuration level.
- Turn the rotary switch back to  (operating level).

3.5 Altering the display contrast

You can alter the contrast of the display.



Settings	
Display contrast	50
Display language	English
PA1	
PA4	
Contrast setting of display	

- Turn the rotary switch to  (settings).
- ⌂ Enter the currently valid key number.
 - * Confirm key number.
 - ⌂ Select 'Display contrast'.
 - * Activate editing mode for the display contrast.
The current setting is shown inverted on the display.
 - ⌂ Set the display contrast
 - * Confirm setting.
- Turn the rotary switch back to  (operating level).

3.6 Changing the display language

The default display language is German. The setting can be changed to English.

Settings	
Display contrast	50
Display language	English
PA1	
PA4	
Open display language menu	

- Turn the rotary switch to  (settings).
- ⌂ Enter the currently valid key number.
 - * Confirm key number.
 - ⌂ Select 'Display language'.
 - * Activate editing mode for the language setting.
The currently valid language is selected.
 - ⌂ Change language setting.
 - * Confirm setting.
- Turn the rotary switch back to  (operating level).

3.7 Loading default setting

All parameters set over the rotary switch as well as parameters in the PA1 and PA2 parameter levels can be reset to their default settings (WE), except for the maximum flow temperature and the return flow temperature limits in PA1 and PA2.

Key number

1991

Turn the rotary switch to \diamond (settings).

↻ Enter key number 1991.

* Confirm key number.

The settings are reset when the following icon appears on the controller display:



4 Manual mode

Switch to manual mode to configure all outputs (refer to section 12).



NOTICE

The frost protection does not function when the controller is in manual mode.

Changing positioning value/switching state manually:

Manual mode		
HC1		0%
HC1		ON
DHW		ON
DHW		OFF
Information		

Turn the rotary switch to (manual mode).

The outputs of the configured system are listed on the display.

- ① Select the output
 - Positioning value
 - Circulation pump (heating)
 - Storage tank charging pump
 - Circulation pump (DHW)
 - Solar circuit pump
- ② Activate editing mode for the output.
- ③ Change the positioning value/switching state.
- ④ Confirm the positioning value/switching state.
The modified values remain active as long as the controller is in manual mode.

Turn the rotary switch to (operating level). The manual mode is deactivated.



Note:

The outputs of the controller are not affected by merely turning the rotary switch to (manual mode). The outputs are only changed by entering or changing the positioning values or switching states.

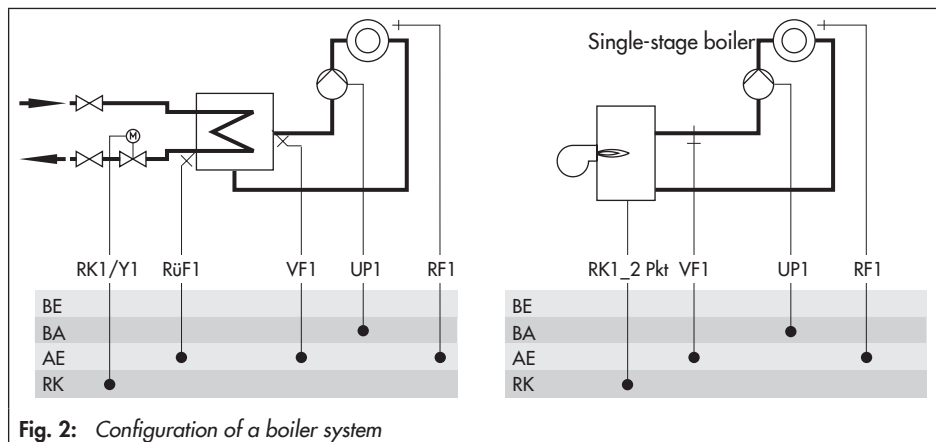
5 Systems

31 different hydraulic schematics are available.

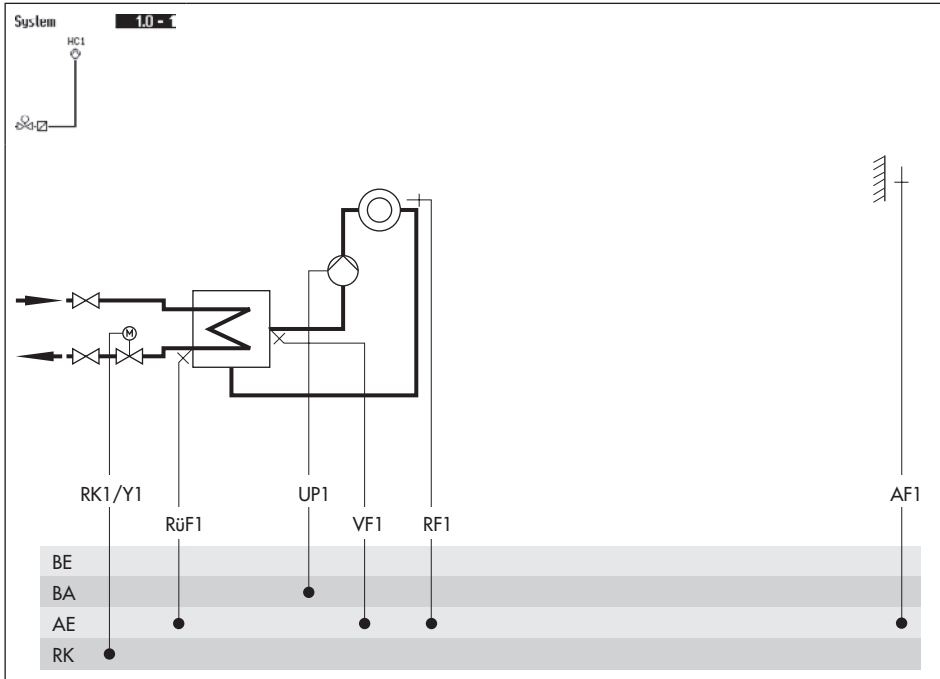
Boiler systems:

Single-stage boiler systems can be configured from any system whose heating circuits and DHW circuit include just one heat exchanger. These systems are Anl 1.0-1, 1.5-1, 1.6-1, 1.6-2, 1.9-1, 1.9-2, 2.x, 3.0, 3.5, 4.0 and 4.1.

The boiler can be controlled by an on/off output (CO1 > F12 - 0).



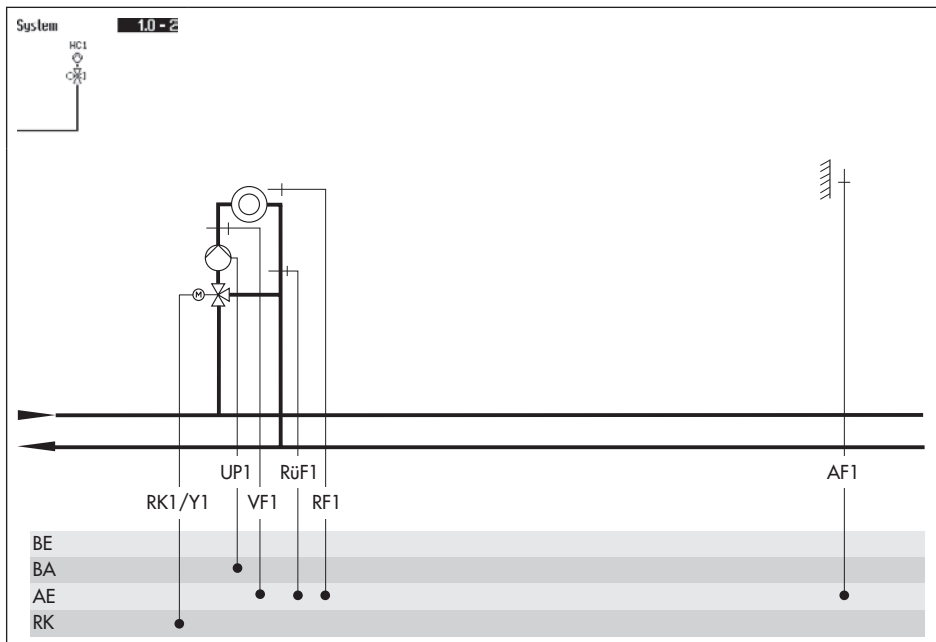
System Anl 1.0-1



Default settings

CO1 > F01	- 0 (without RF1)
CO1 > F02	- 1 (with AF1)
CO1 > F03	- 1 (with RüF1)
CO5 > F07	- 0 (without error indication at terminal 29)

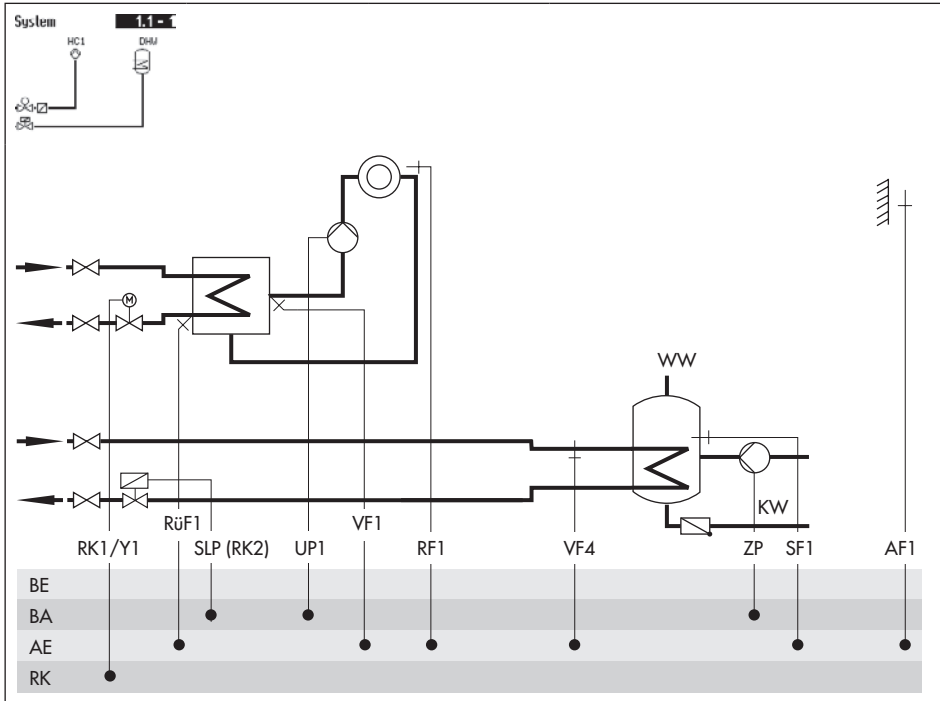
System Anl 1.0-2



Default settings

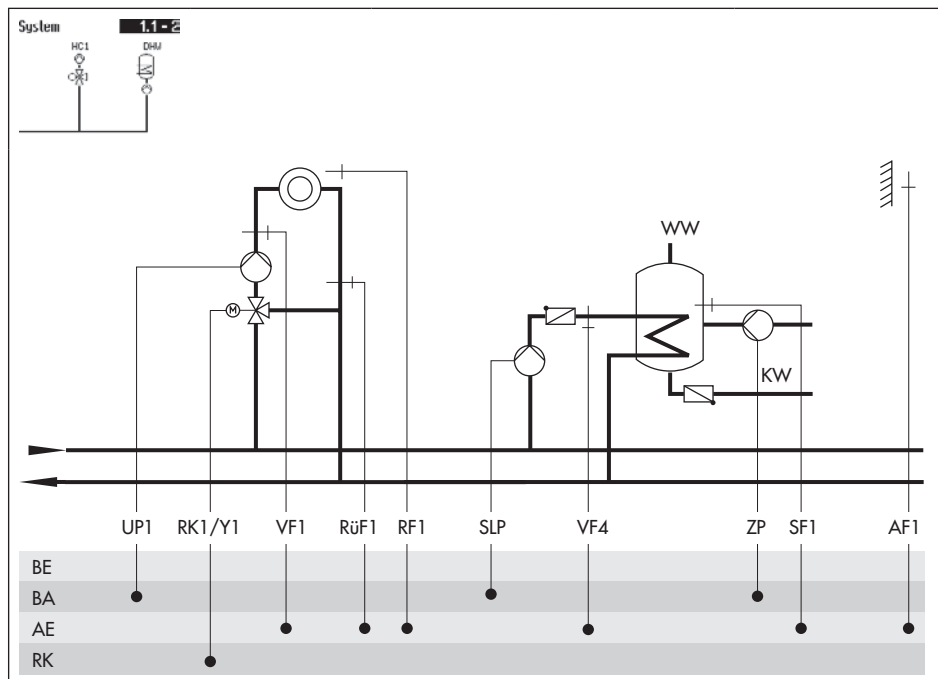
CO1 > F01	- 0 (without RF1)
CO1 > F02	- 1 (with AF1)
CO1 > F03	- 1 (with RüF1)
CO5 > F07	- 0 (without error indication at terminal 29)

System Anl 1.1-1



Default settings	
CO1 > F01	- 0 (without RF1)
CO1 > F02	- 1 (with AF1)
CO1 > F03	- 1 (with RüF1)
CO4 > F01	- 1 (with SF1)
CO4 > F02	- 0 (without SF2)
CO4 > F05	- 0 (without VF4)
CO5 > F07	- 0 (without error indication at terminal 29)

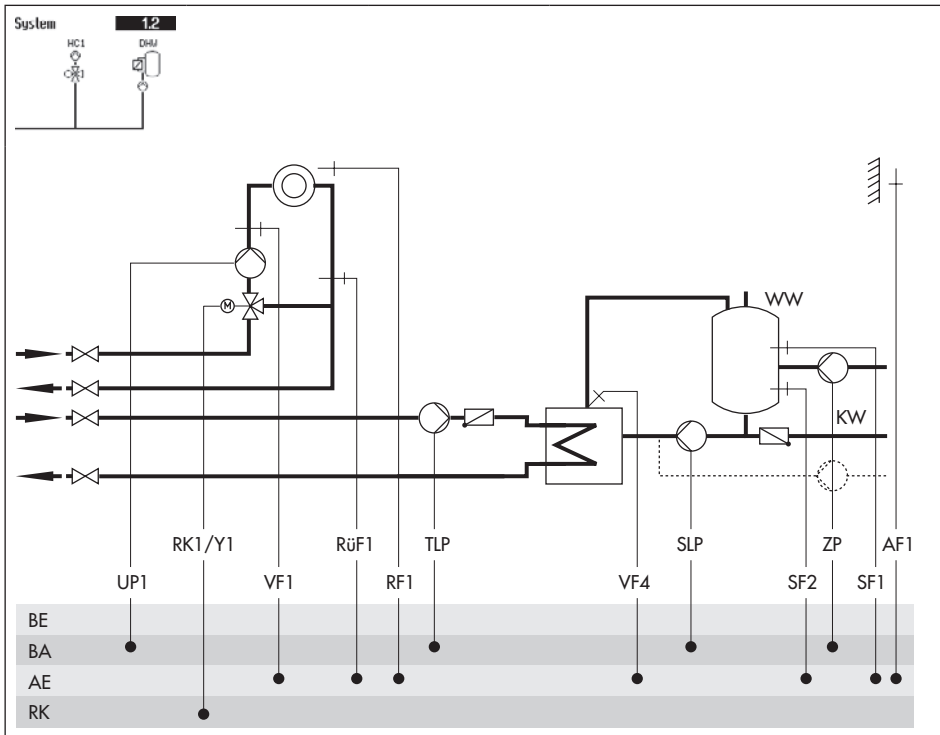
System Anl 1.1-2



Default settings

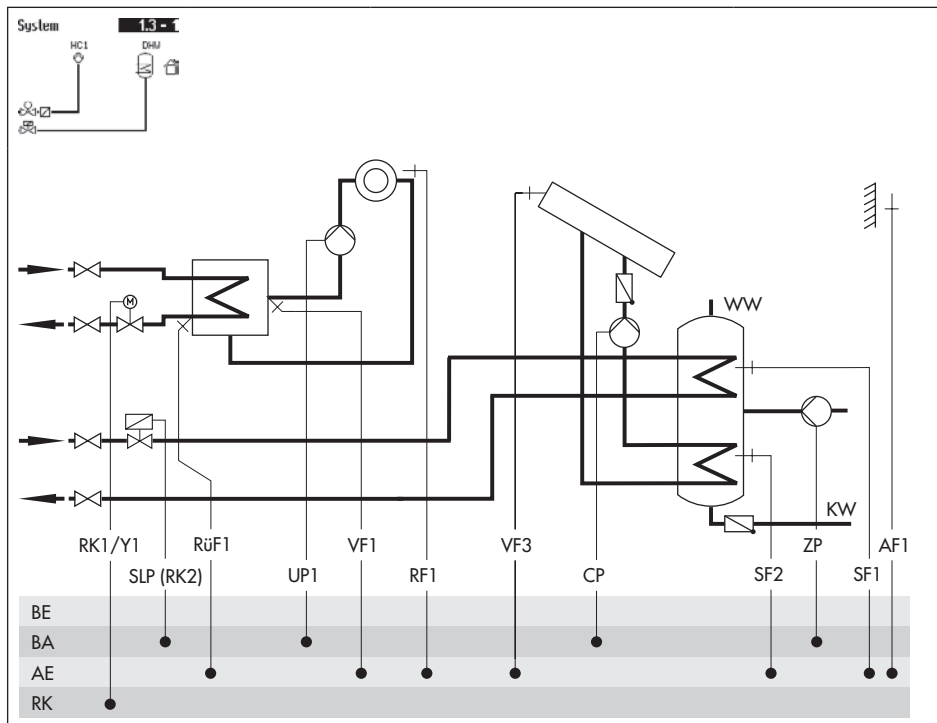
CO1 > F01	- 0 (without RF1)
CO1 > F02	- 1 (with AF1)
CO1 > F03	- 1 (with RüF1)
CO4 > F01	- 1 (with SF1)
CO4 > F02	- 0 (without SF2)
CO4 > F05	- 0 (without VF4)
CO5 > F07	- 0 (without error indication at terminal 29)

System Anl 1.2



Default settings	
CO1 > F01	- 0 (without RF1)
CO1 > F02	- 1 (with AF1)
CO1 > F03	- 0 (without RüF1)
CO4 > F01	- 1 (with SF1)
CO4 > F02	- 1 (with SF2)
CO4 > F05	- 0 (without VF4)
CO5 > F07	- 0 (without error indication at terminal 29)

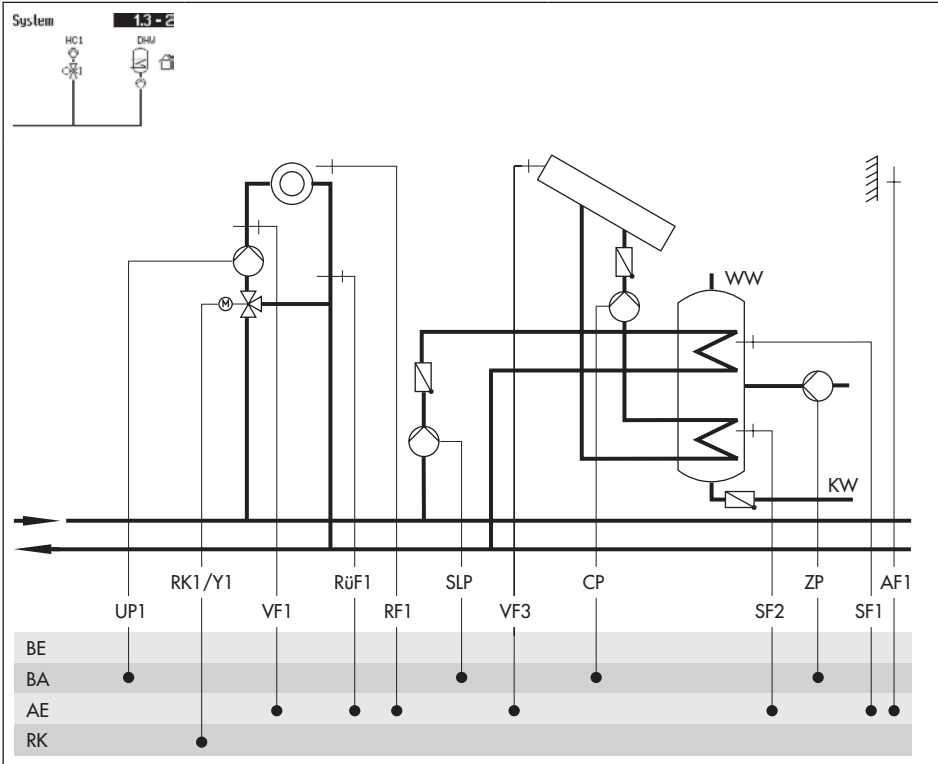
System Anl 1.3-1



Default settings

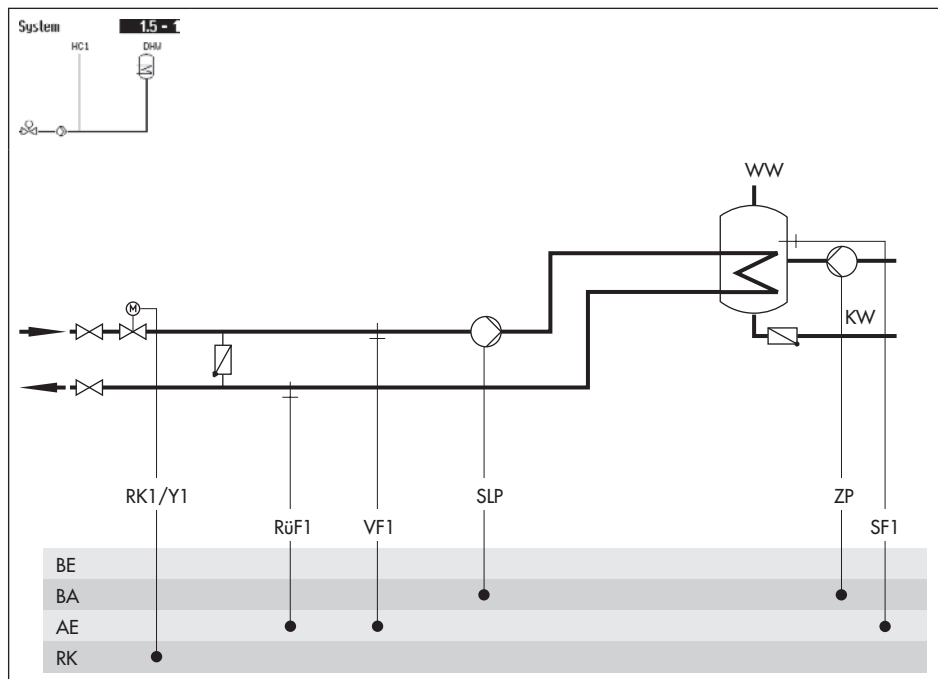
CO1 > F01	- 0 (without RF1)
CO1 > F02	- 1 (with AF1)
CO1 > F03	- 1 (with RüF1)
CO4 > F01	- 1 (with SF1)
CO5 > F07	- 0 (without error indication at terminal 29)

System Anl 1.3-2



Default settings	
CO1 > F01	- 0 (without RF1)
CO1 > F02	- 1 (with AF1)
CO1 > F03	- 1 (with RüF1)
CO4 > F01	- 1 (with SF1)
CO5 > F07	- 0 (without error indication at terminal 29)

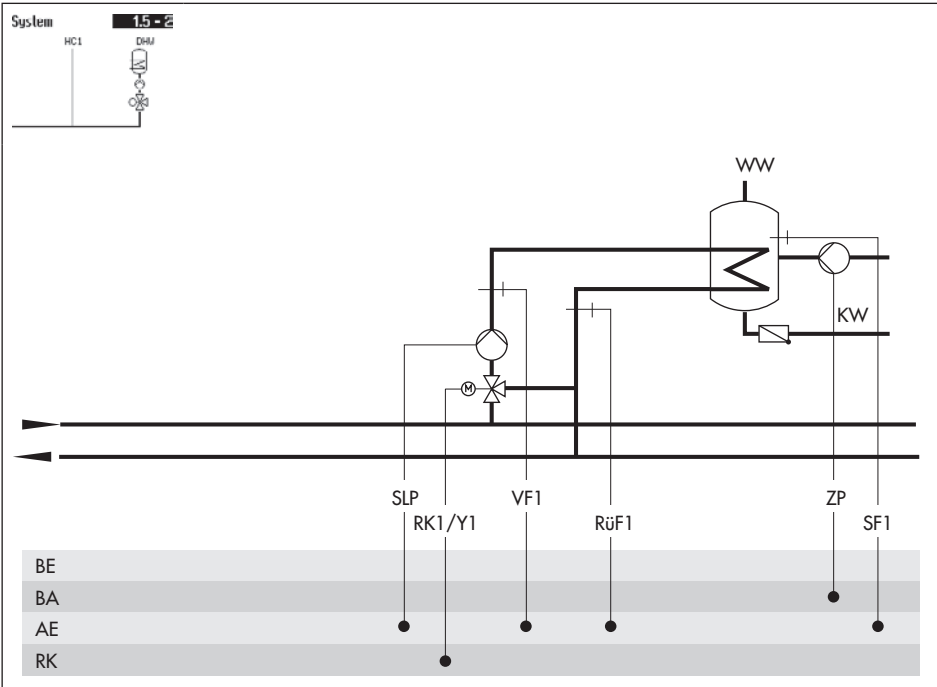
System Anl 1.5-1



Default settings

CO1 > F03	- 1 (with RüF1)
CO4 > F01	- 1 (with SF1)
CO4 > F02	- 0 (without SF2)
CO5 > F07	- 0 (without error indication at terminal 29)

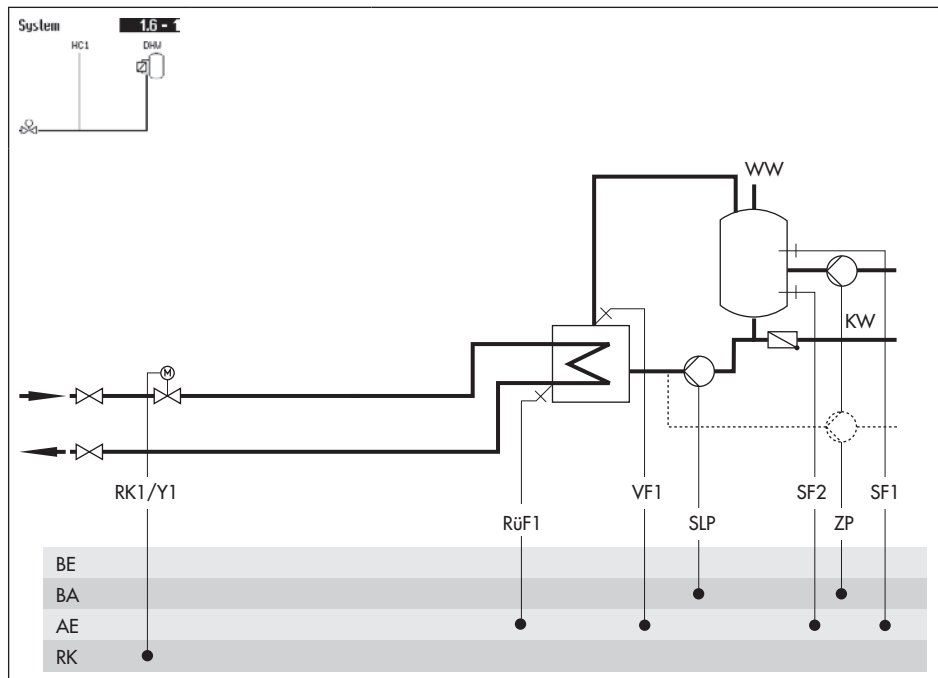
System Anl 1.5-2



Default settings

CO1 > F03	- 1 (with RüF1)
CO4 > F01	- 1 (with SF1)
CO4 > F02	- 0 (without SF2)
CO5 > F07	- 0 (without error indication at terminal 29)

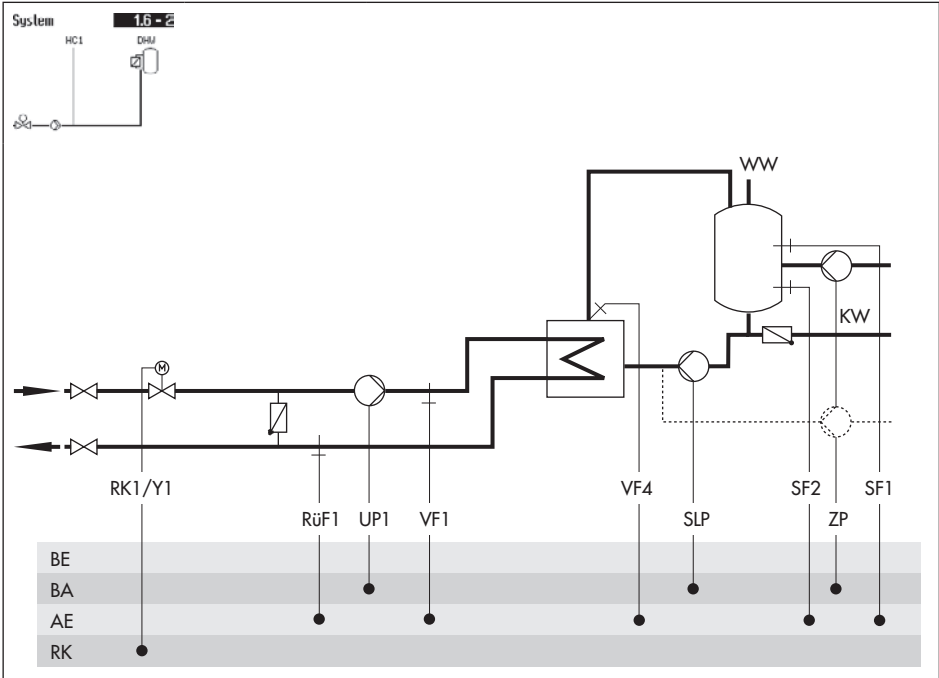
System Anl 1.6-1



Default settings

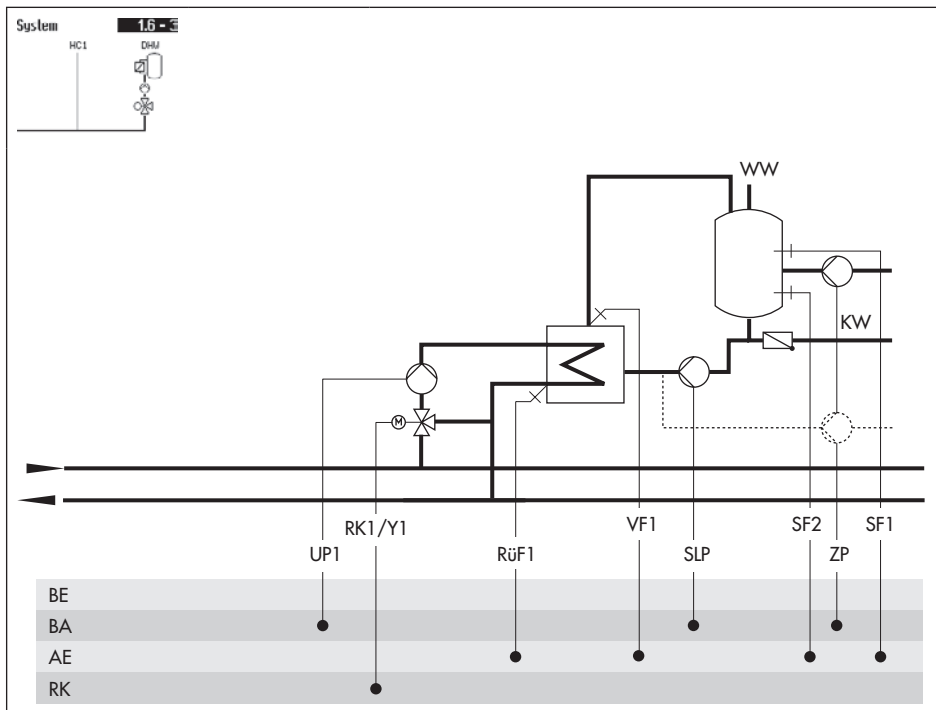
CO1 > F03	- 1 (with RüF1)
CO4 > F01	- 1 (with SF1)
CO4 > F02	- 1 (with SF2)
CO5 > F07	- 0 (without error indication at terminal 29)

System Anl 1.6-2



Default settings	
CO1 > F03	- 1 (with RüF1)
CO4 > F01	- 1 (with SF1)
CO4 > F02	- 1 (with SF2)
CO4 > F05	- 0 (without VF4)
CO5 > F07	- 0 (without error indication at terminal 29)

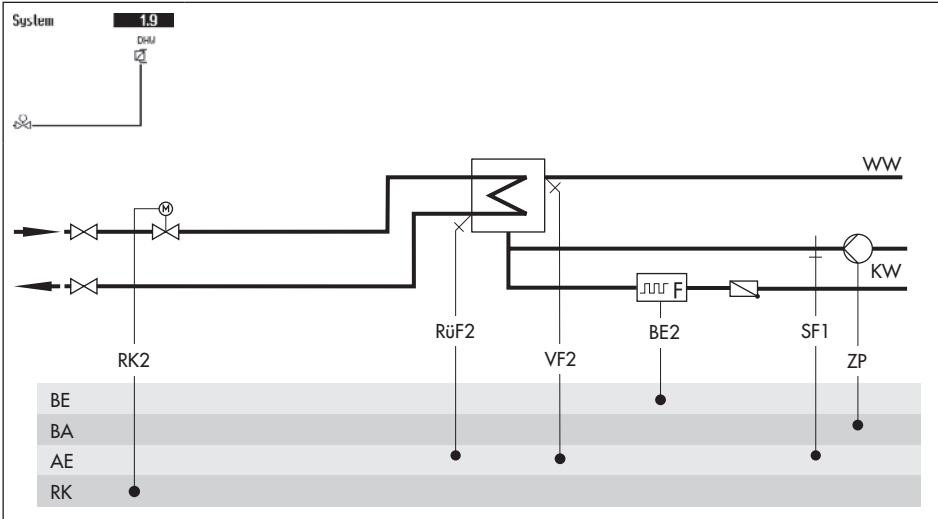
System Anl 1.6-3



Default settings

CO1 > F03	- 1 (with RüF1)
CO4 > F01	- 1 (with SF1)
CO4 > F02	- 1 (with SF2)
CO4 > F05	- 0 (without VF4)
CO5 > F07	- 0 (without error indication at terminal 29)

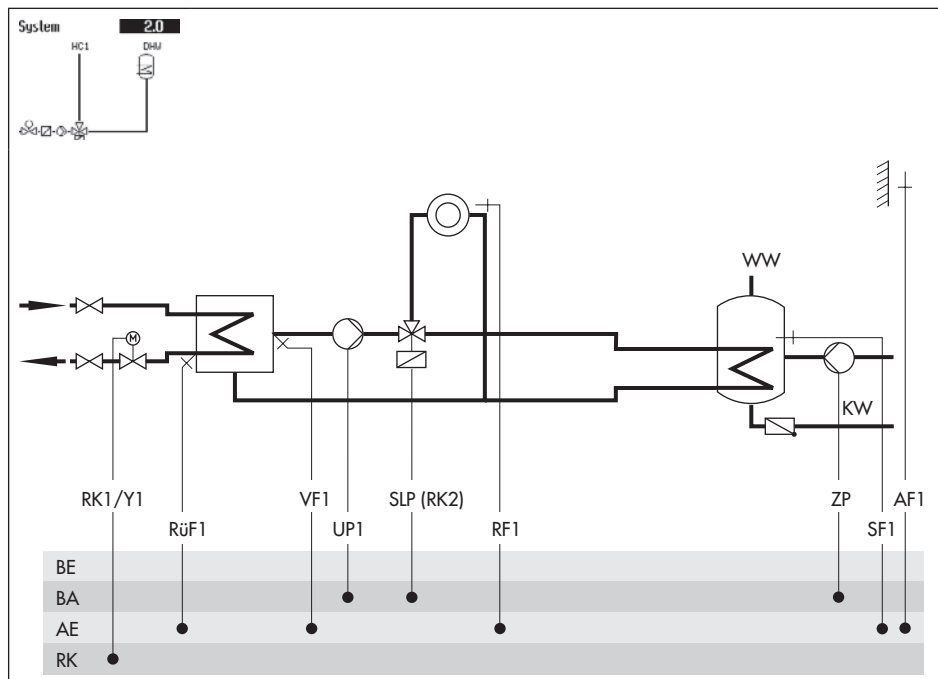
System Anl 1.9



Default settings

CO4 > F01	- 0 (without SF1)
CO4 > F03	- 0 (without RüF2)
CO4 > F04	- 0 (without flow rate sensor)
CO5 > F07	- 0 (without error indication at terminal 29)

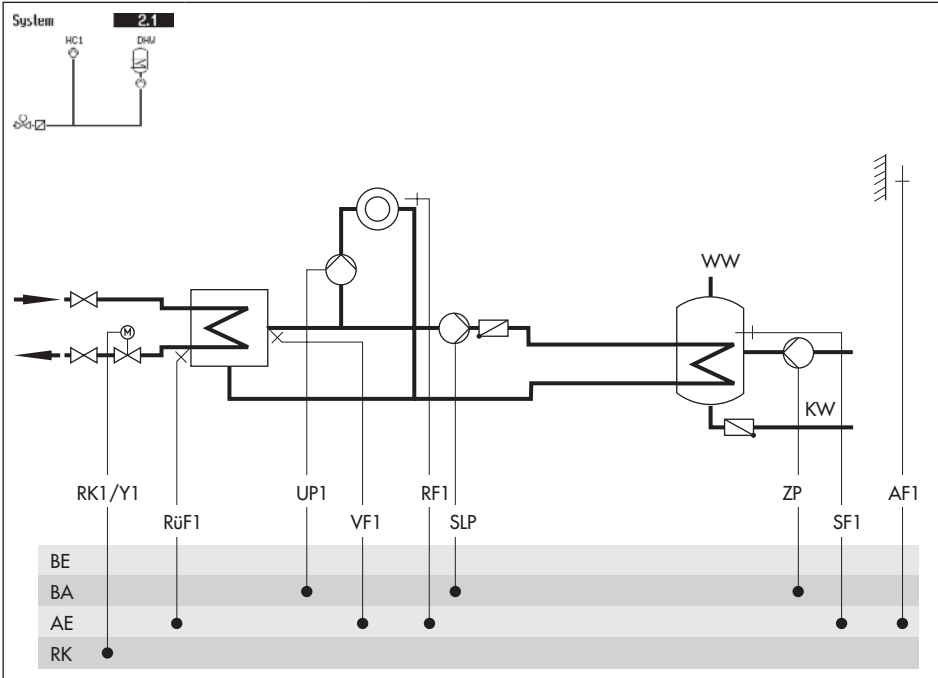
System Anl 2.0



Default settings

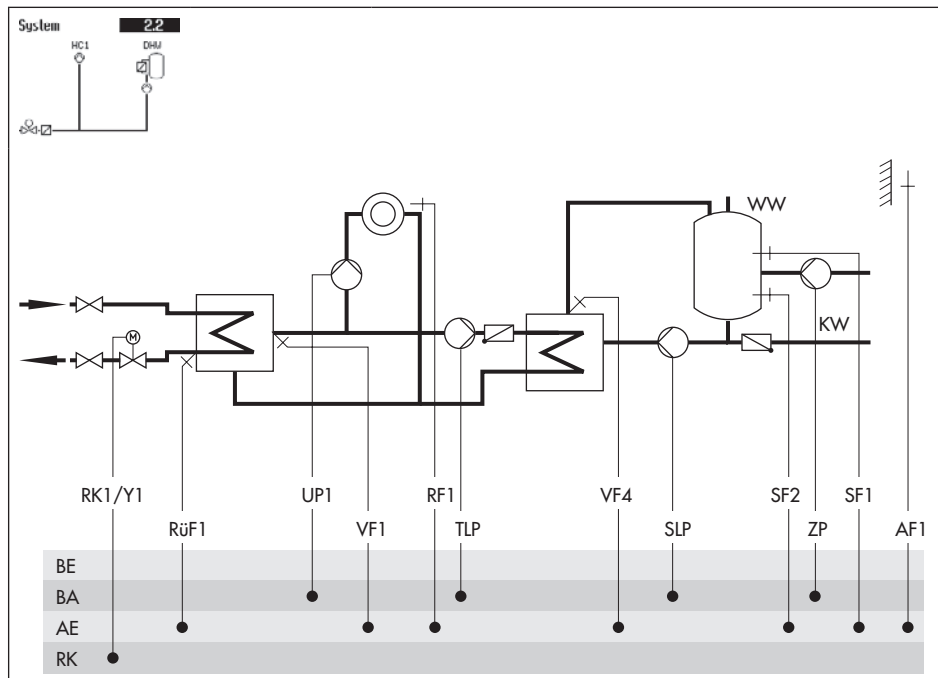
CO1 > F01	- 0 (without RF1)
CO1 > F02	- 1 (with AF1)
CO1 > F03	- 1 (with RüF1)
CO4 > F01	- 1 (with SF1)
CO4 > F02	- 0 (without SF2)
CO5 > F07	- 0 (without error indication at terminal 29)

System Anl 2.1



Default settings	
CO1 > F01	- 0 (without RF1)
CO1 > F02	- 1 (with AF1)
CO1 > F03	- 1 (with RüF1)
CO4 > F01	- 1 (with SF1)
CO4 > F02	- 0 (without SF2)
CO5 > F07	- 0 (without error indication at terminal 29)

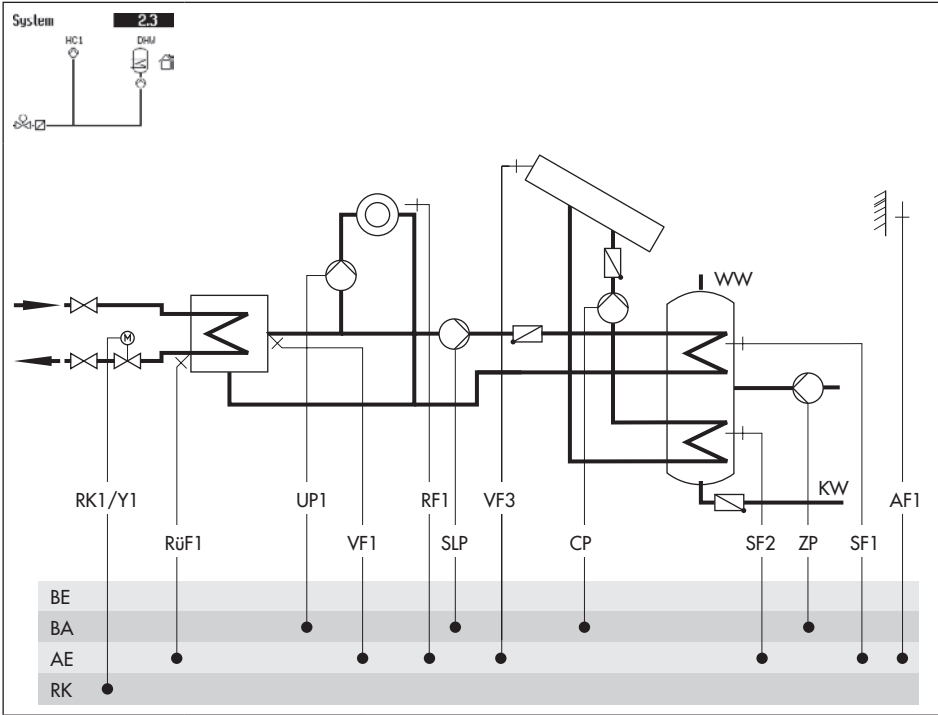
System Anl 2.2



Default settings

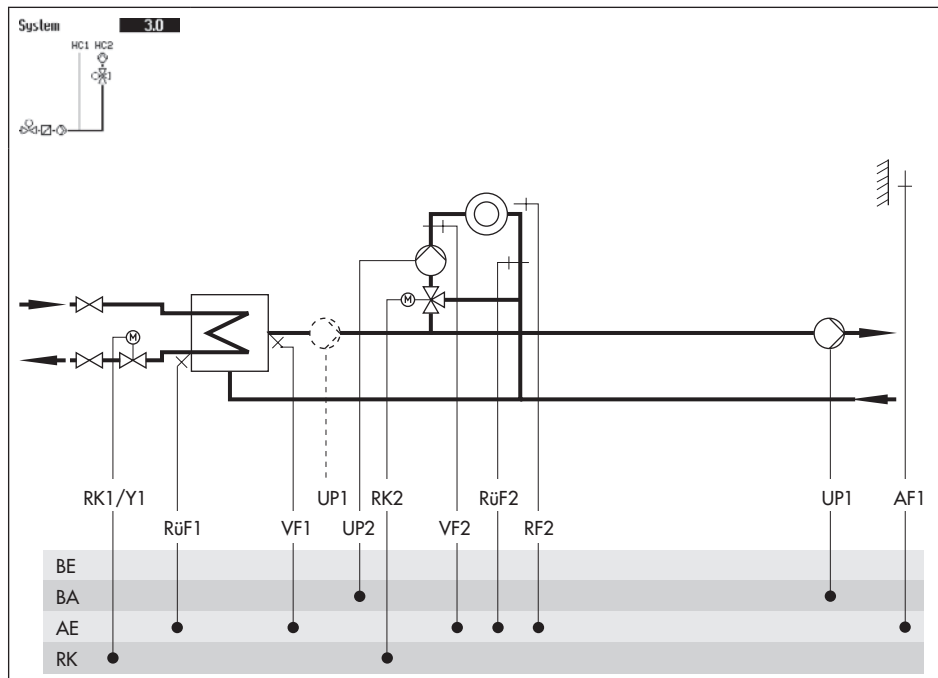
CO1 > F01	- 0 (without RF1)
CO1 > F02	- 1 (with AF1)
CO1 > F03	- 1 (with RüF1)
CO4 > F01	- 1 (with SF1)
CO4 > F02	- 1 (with SF2)
CO4 > F05	- 0 (without VF4)
CO5 > F07	- 0 (without error indication at terminal 29)

System Anl 2.3



Default settings	
CO1 > F01	- 0 (without RF1)
CO1 > F02	- 1 (with AF1)
CO1 > F03	- 1 (with RüF1)
CO4 > F01	- 1 (with SF1)
CO5 > F07	- 0 (without error indication at terminal 29)

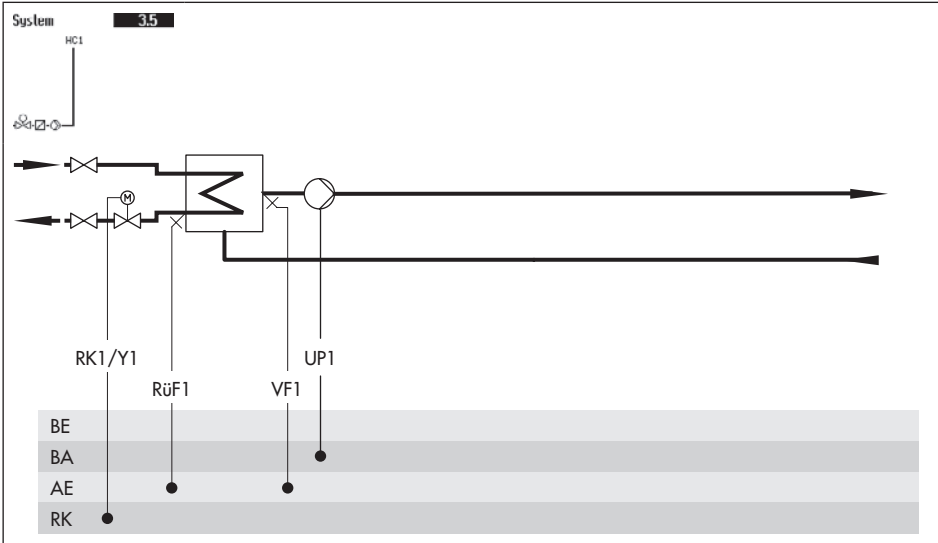
System Anl 3.0



Default settings

CO1 > F02	- 1 (with AF1)
CO1 > F03	- 1 (with RüF1)
CO2 > F01	- 0 (without RF2)
CO2 > F03	- 0 (without RüF2)
CO5 > F07	- 0 (without error indication at terminal 29)

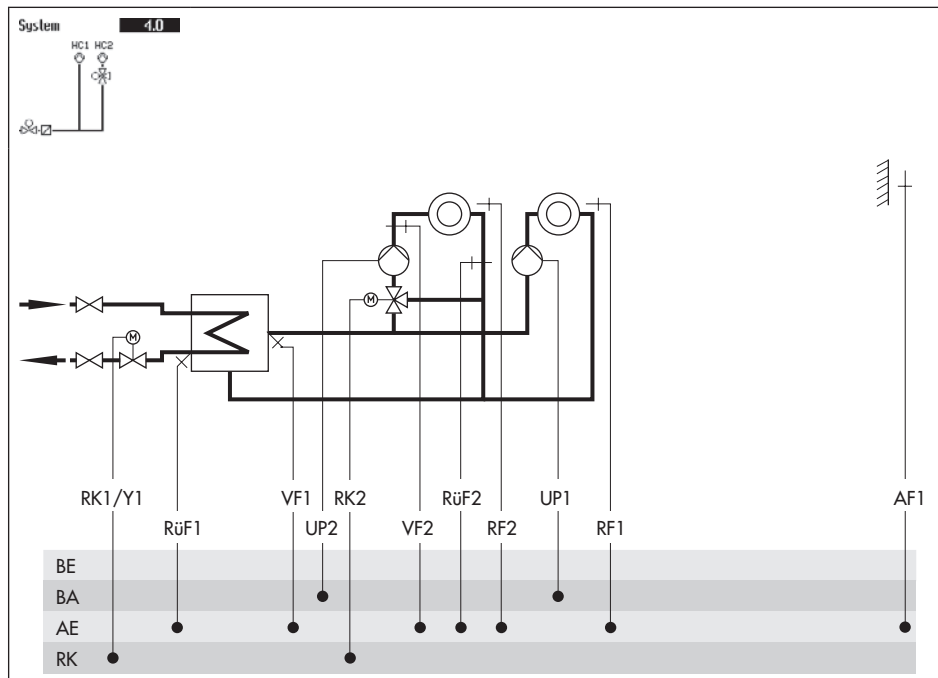
System Anl 3.5



Note	Closed control circuit and UP1 are only active during the processing for an external demand
------	---

Default settings	
CO1 > F03	- 1 (with RüF1)
CO5 > F07	- 0 (without error indication at terminal 29)

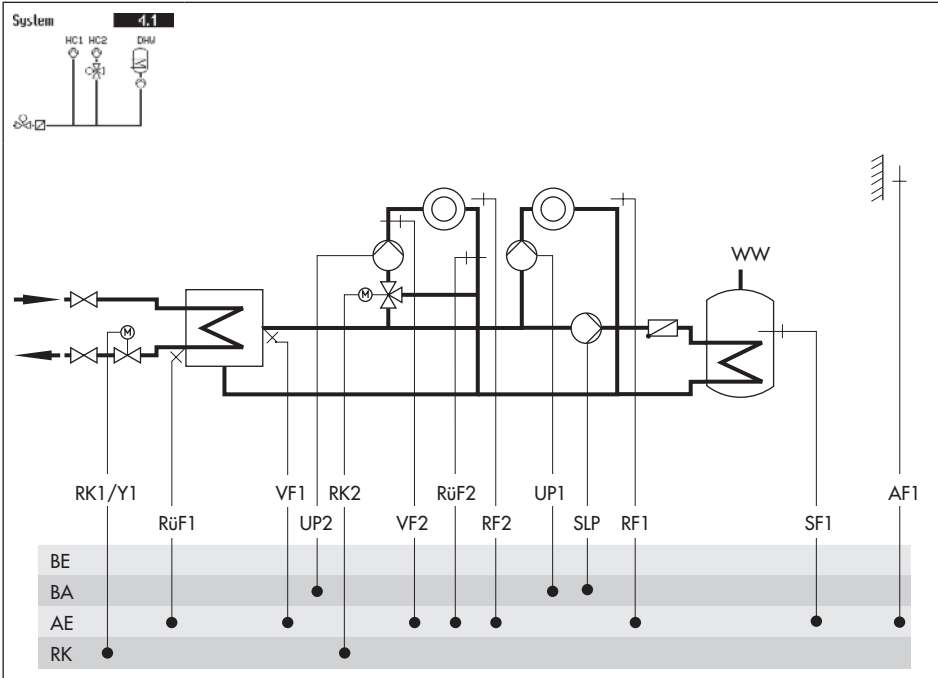
System Anl 4.0



Default settings

CO1 > F01	- 0 (without RF1)
CO1 > F02	- 1 (with AF1)
CO1 > F03	- 1 (with RüF1)
CO2 > F01	- 0 (without RF2)
CO2 > F03	- 0 (without RüF2)
CO5 > F07	- 0 (without error indication at terminal 23)

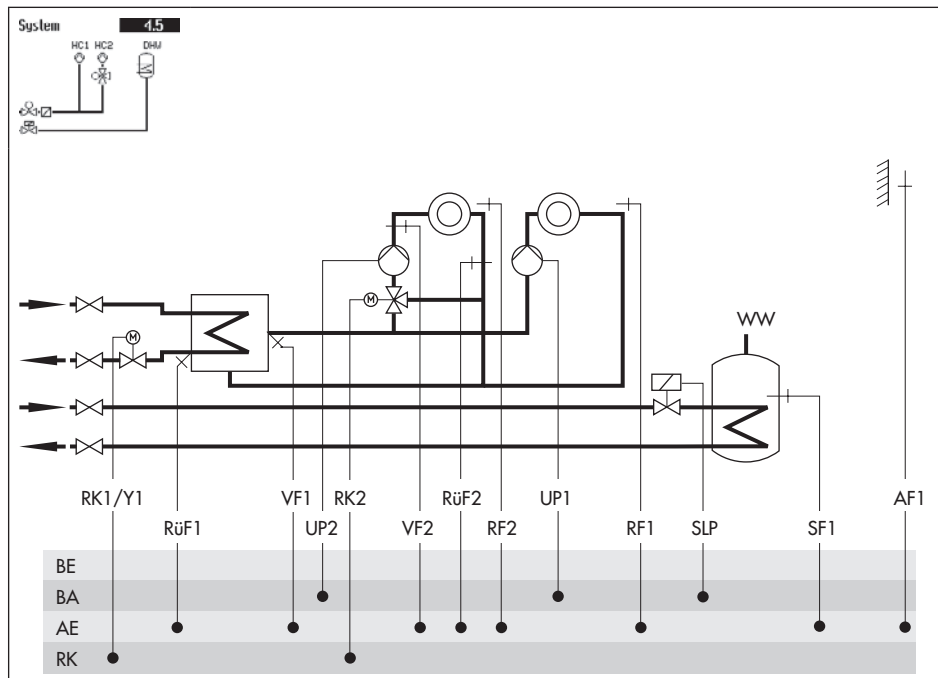
System Anl 4.1



Default settings

CO1 > F01	- 0 (without RF1)
CO1 > F02	- 1 (with AF1)
CO1 > F03	- 1 (with RüF1)
CO2 > F01	- 0 (without RF2)
CO2 > F03	- 0 (without RüF2)
CO4 > F01	- 1 (with SF1)
CO4 > F02	- 0 (without SF2)

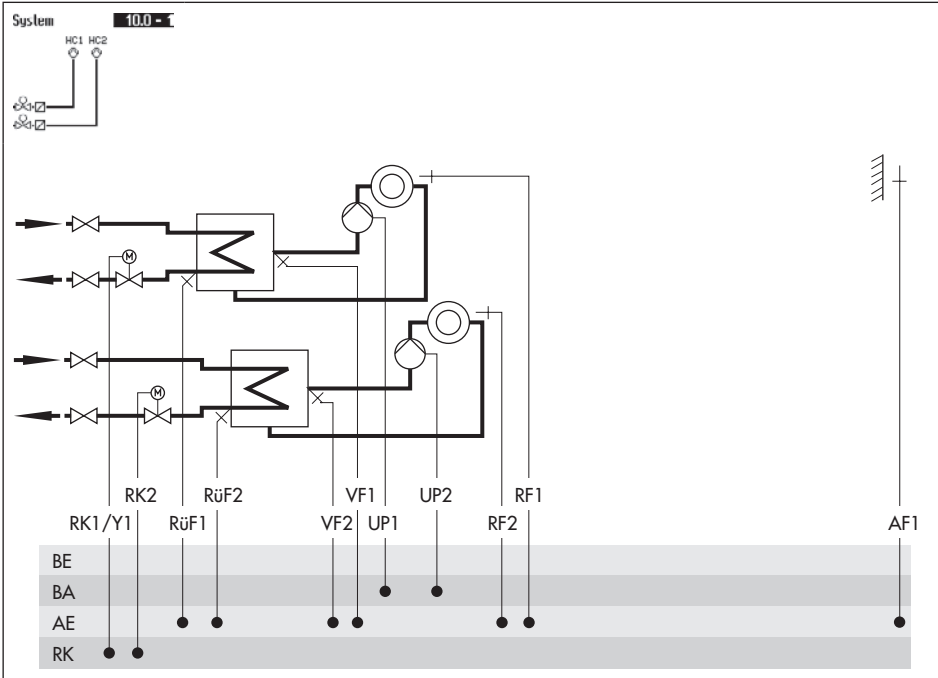
System Anl 4.5



Default settings

CO1 > F01	- 0 (without RF1)
CO1 > F02	- 1 (with AF1)
CO1 > F03	- 1 (with RüF1)
CO2 > F01	- 0 (without RF2)
CO2 > F03	- 0 (without RüF2)
CO4 > F01	- 1 (with SF1)
CO4 > F02	- 0 (without SF2)

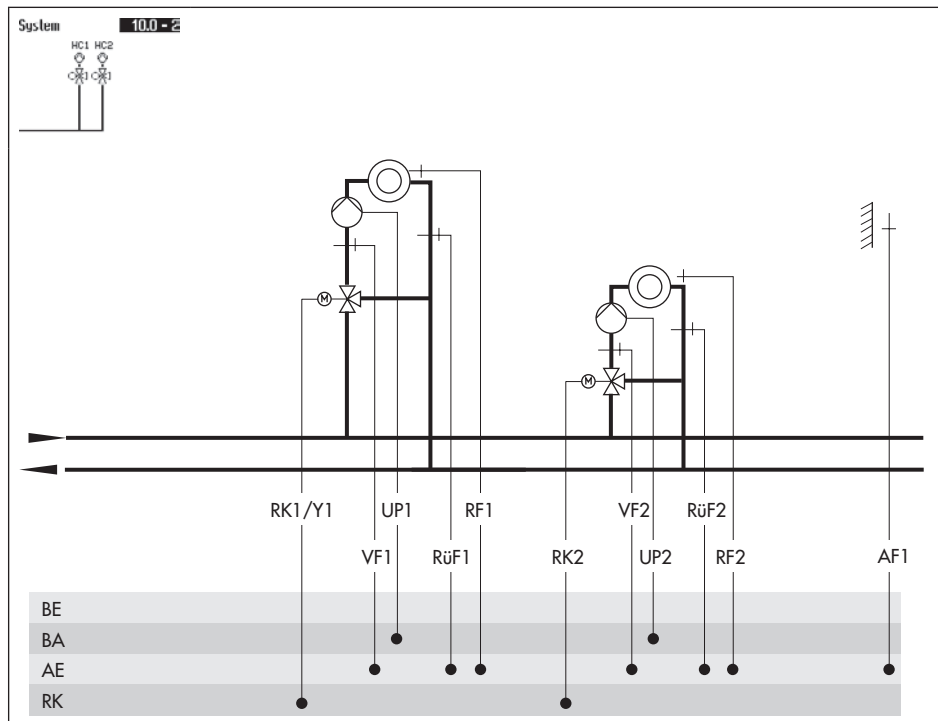
System Anl 10.0-1



Default settings

CO1 > F01	- 0 (without RF1)
CO1 > F02	- 1 (with AF1)
CO1 > F03	- 1 (with RüF1)
CO2 > F01	- 0 (without RF2)
CO2 > F03	- 1 (with RüF2)
CO5 > F07	- 0 (without error indication at terminal 23)

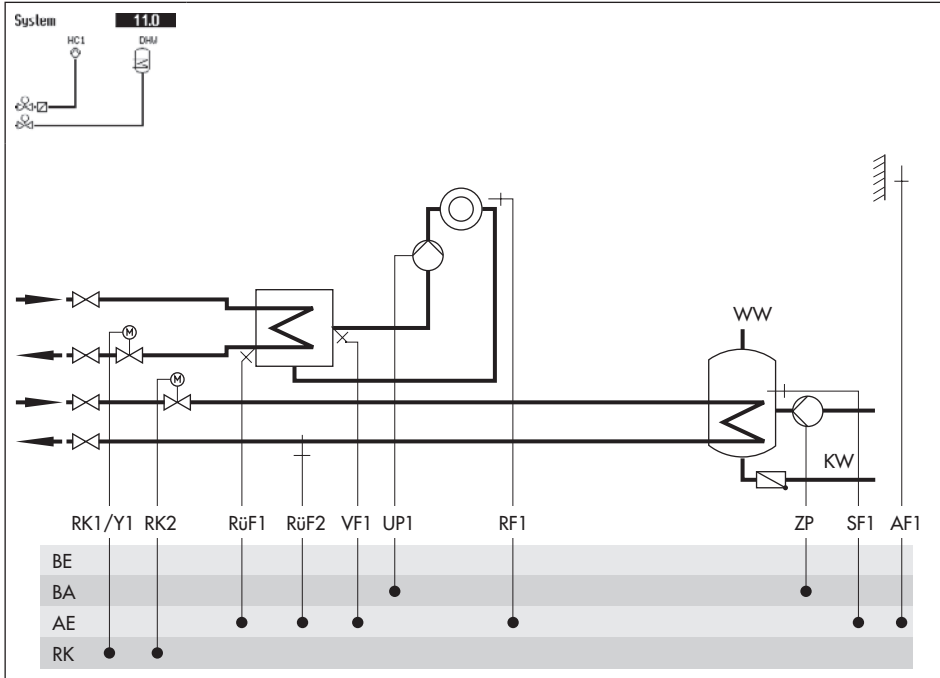
System Anl 10.0-2



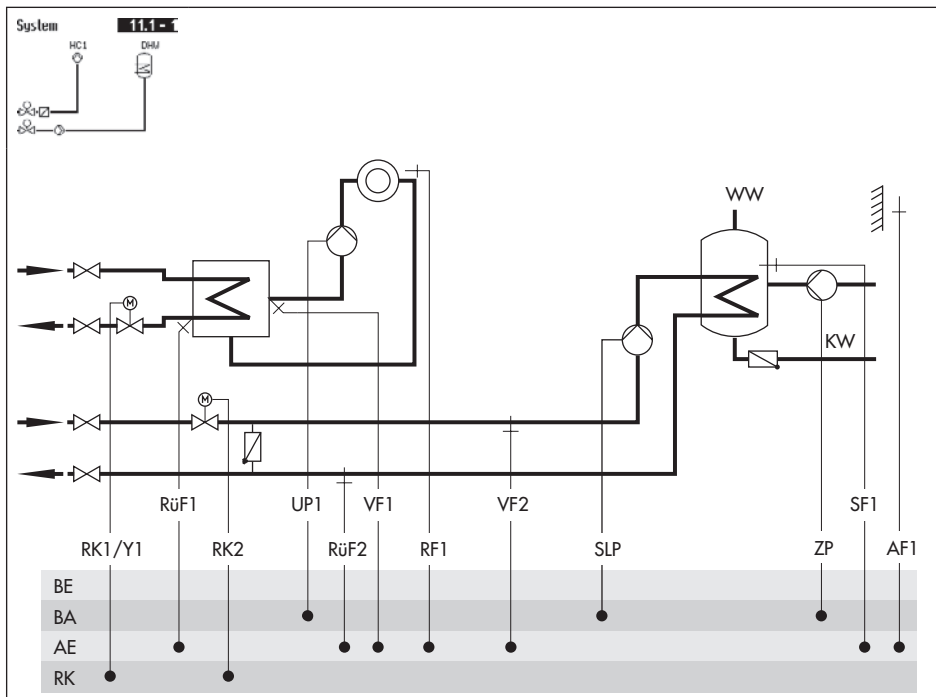
Default settings

CO1 > F01	- 0 (without RF1)
CO1 > F02	- 1 (with AF1)
CO1 > F03	- 1 (with RüF1)
CO2 > F01	- 0 (without RF2)
CO2 > F03	- 1 (with RüF2)
CO5 > F07	- 0 (without error indication at terminal 23)

System Anl 11.0



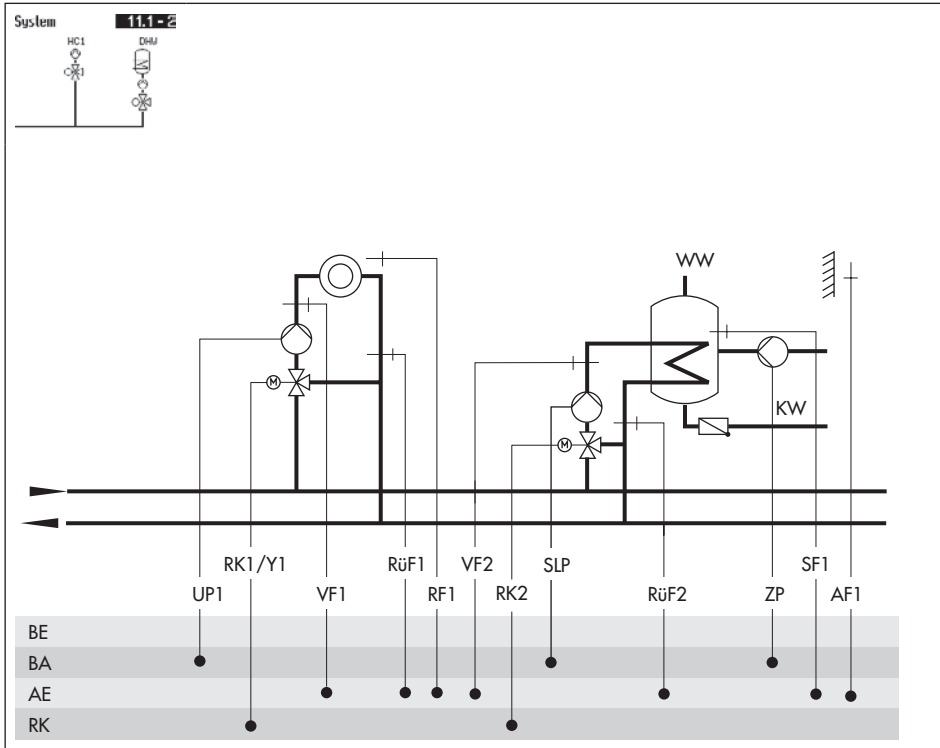
System Anl 11.1-1



Default settings

CO1 > F01	- 0 (without RF1)
CO1 > F02	- 1 (with AF1)
CO1 > F03	- 1 (with RüF1)
CO4 > F01	- 1 (with SF1)
CO4 > F02	- 0 (without SF2)
CO4 > F03	- 0 (without RüF2)

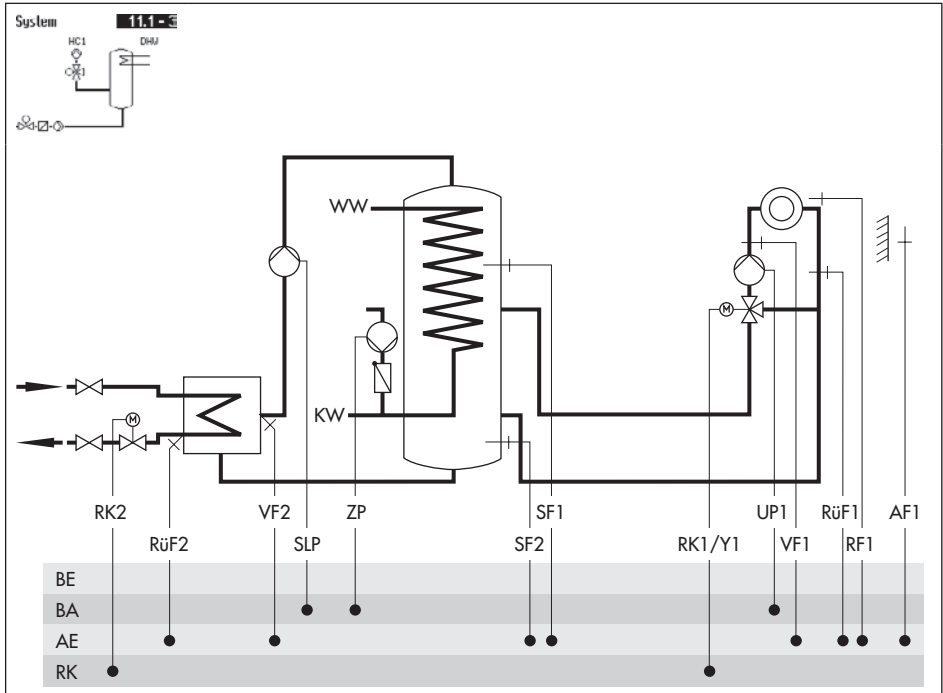
System Anl 11.1-2



Default settings

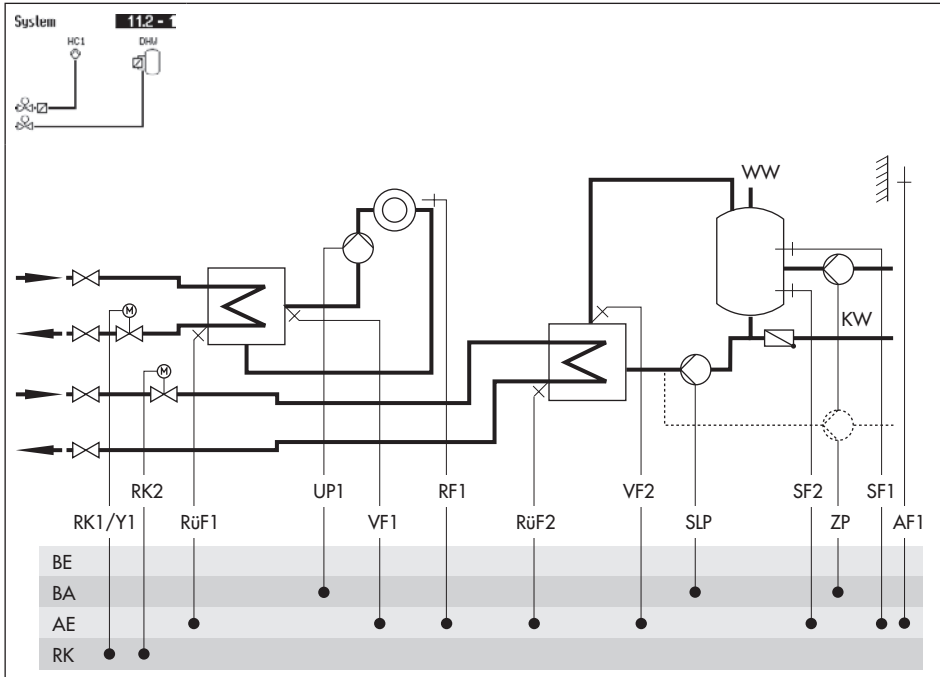
CO1 > F01	- 0 (without RF1)
CO1 > F02	- 1 (with AF1)
CO1 > F03	- 1 (with RüF1)
CO4 > F01	- 1 (with SF1)
CO4 > F02	- 0 (without SF2)
CO4 > F03	- 0 (without RüF2)

System Anl 11.1-3



Default settings	System Anl 11.1	System Anl 11.2
CO1 > F01	- 0 (without RF1)	- 0 (without RF1)
CO1 > F02	- 1 (with AF1)	- 1 (with AF1)
CO1 > F03	- 1 (with RüF1)	- 1 (with RüF1)
CO4 > F01	- 1 (with SF1)	- 1 (with SF1)
CO4 > F02	- 0 (without SF2)	- 1 (with SF2)
CO4 > F03	- 0 (without RüF2)	- 0 (without RüF2)

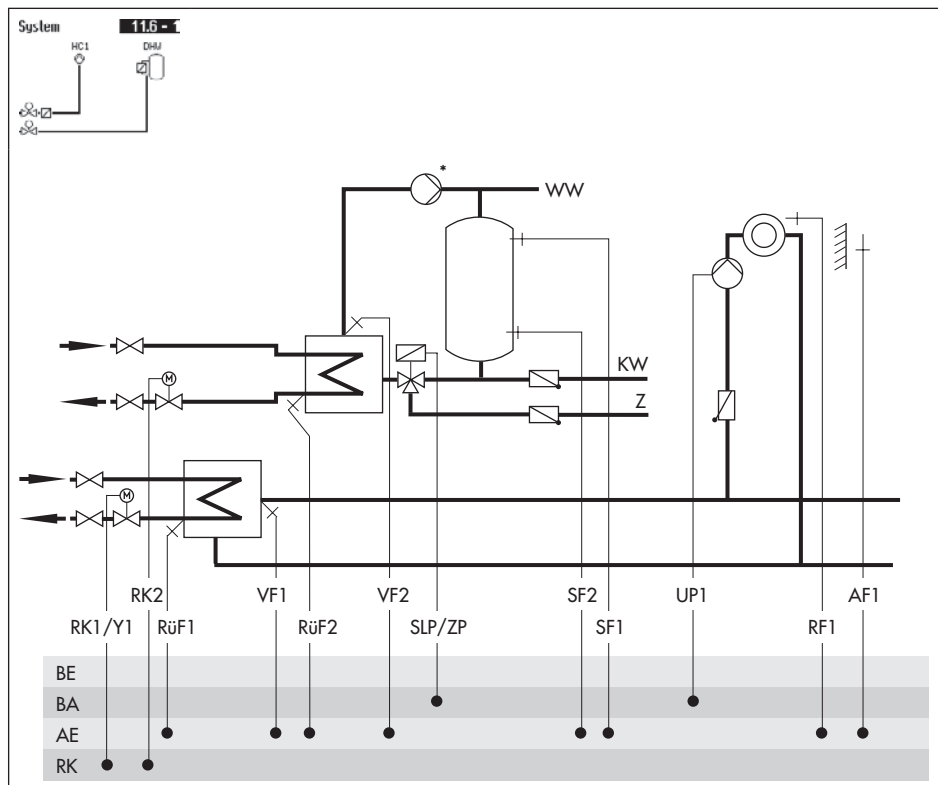
System Anl 11.2



Default settings

CO1 > F01	- 0 (without RF1)
CO1 > F02	- 1 (with AF1)
CO1 > F03	- 1 (with RüF1)
CO4 > F01	- 1 (with SF1)
CO4 > F02	- 1 (with SF2)
CO4 > F03	- 0 (without RüF2)

System Anl 11.6



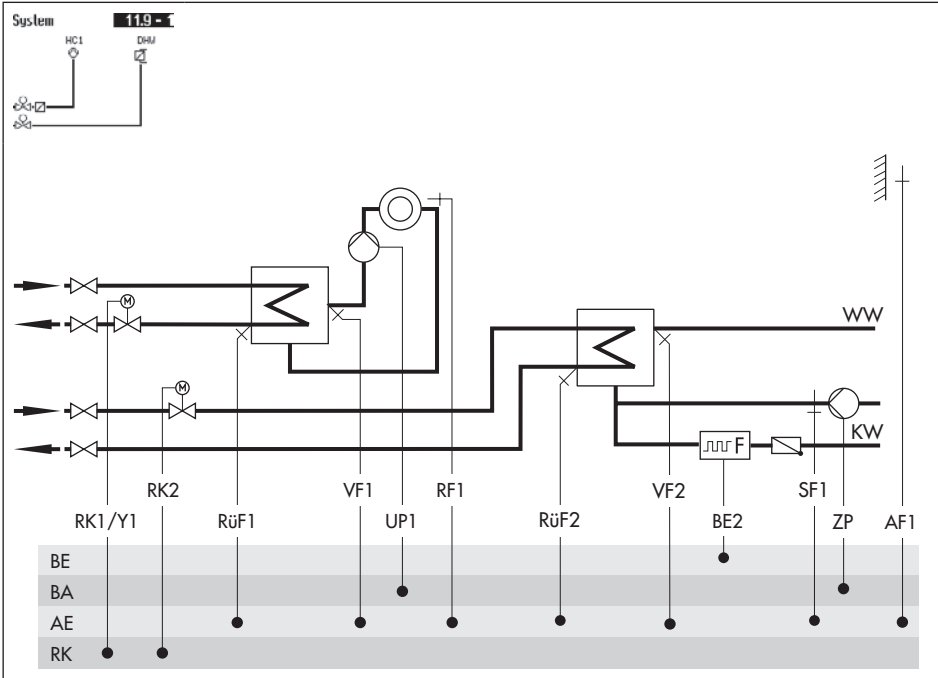
* Note:

Install a continuously running pump in the DHW circuit and connect it directly to the main power supply.

Default settings

CO1 > F01	- 0 (without RF1)
CO1 > F02	- 1 (with AF1)
CO1 > F03	- 1 (with RüF1)
CO4 > F01	- 1 (with SF1)
CO4 > F02	- 1 (with SF2)
CO4 > F03	- 0 (without RüF2)

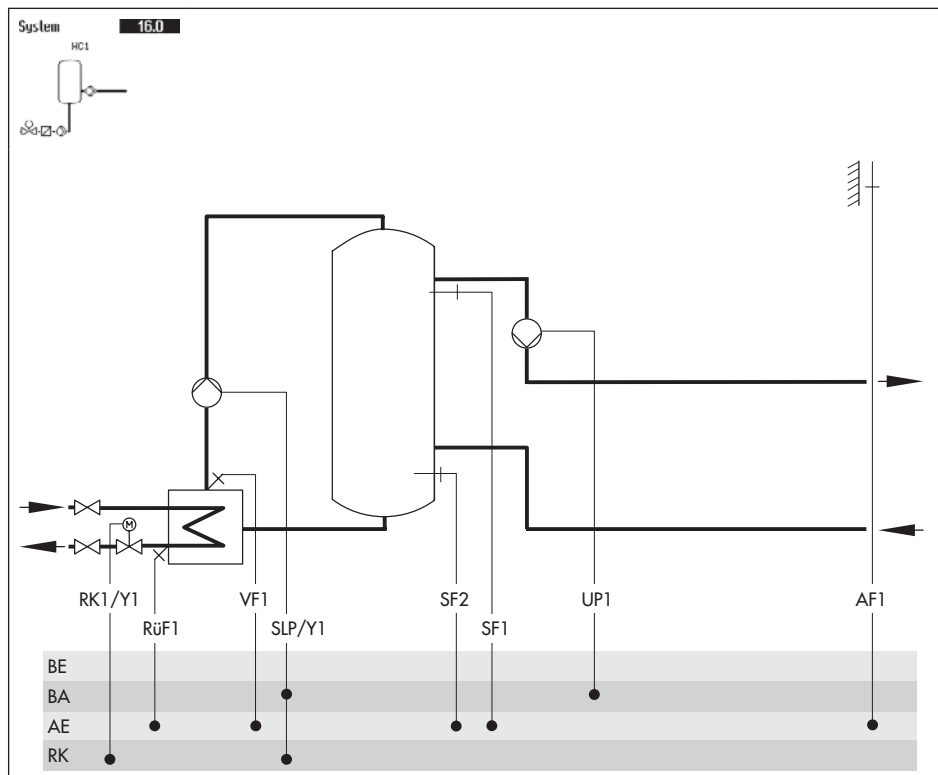
System Anl 11.9



Default settings

CO1 > F01	- 0 (without RF1)
CO1 > F02	- 1 (with AF1)
CO1 > F03	- 1 (with RüF1)
CO4 > F01	- 0 (without SF1)
CO4 > F03	- 0 (without RüF2)
CO4 > F04	- 0 (without flow rate sensor)
CO5 > F07	- 0 (without error indication at terminal 23)

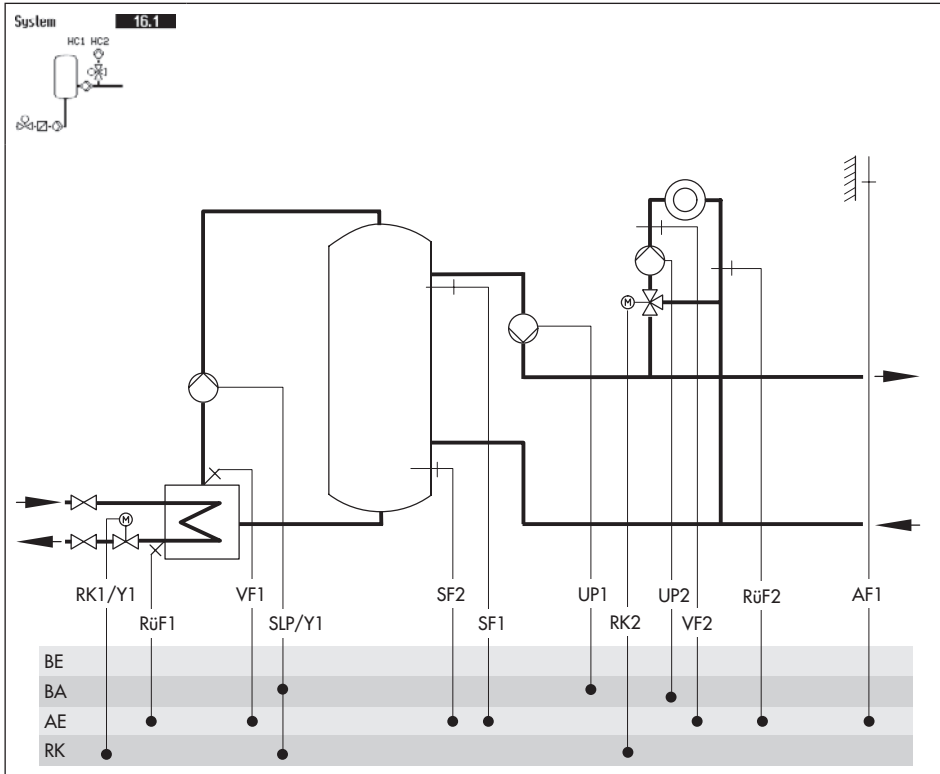
System Anl 16.0



Default settings

CO1 > F02	- 1 (with AF1)
CO1 > F03	- 1 (with RüF1)
CO5 > F07	- 0 (without error indication at terminal 29)

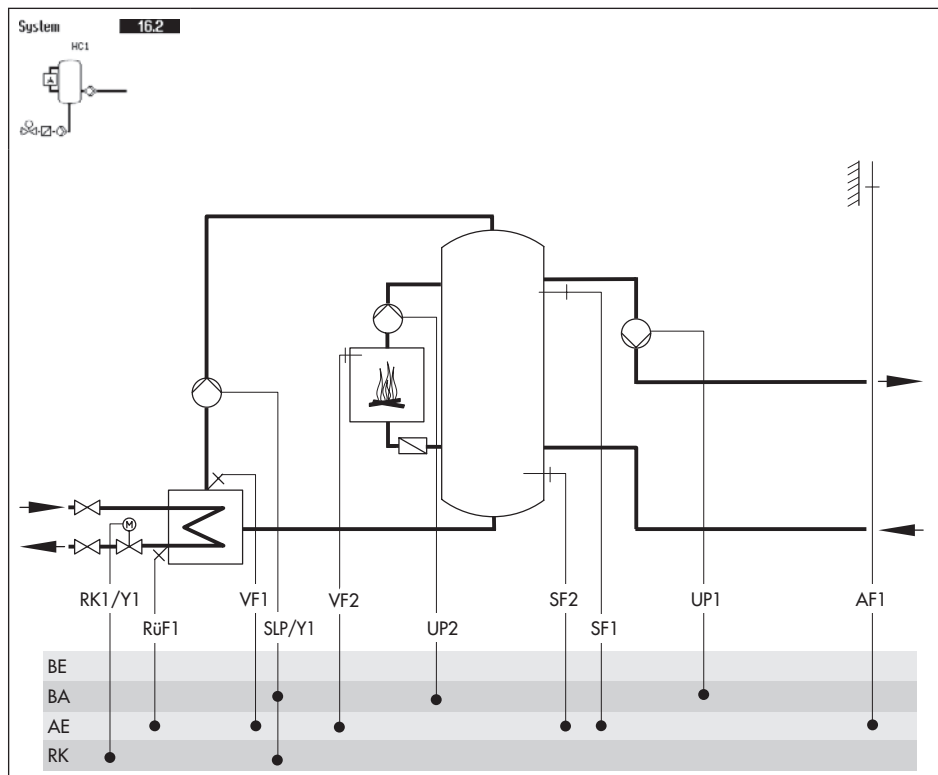
System Anl 16.1



Default settings

CO1 > F02	- 1 (with AF1)
CO1 > F03	- 1 (with RüF1)
CO2 > F03	- 0 (without RüF2)

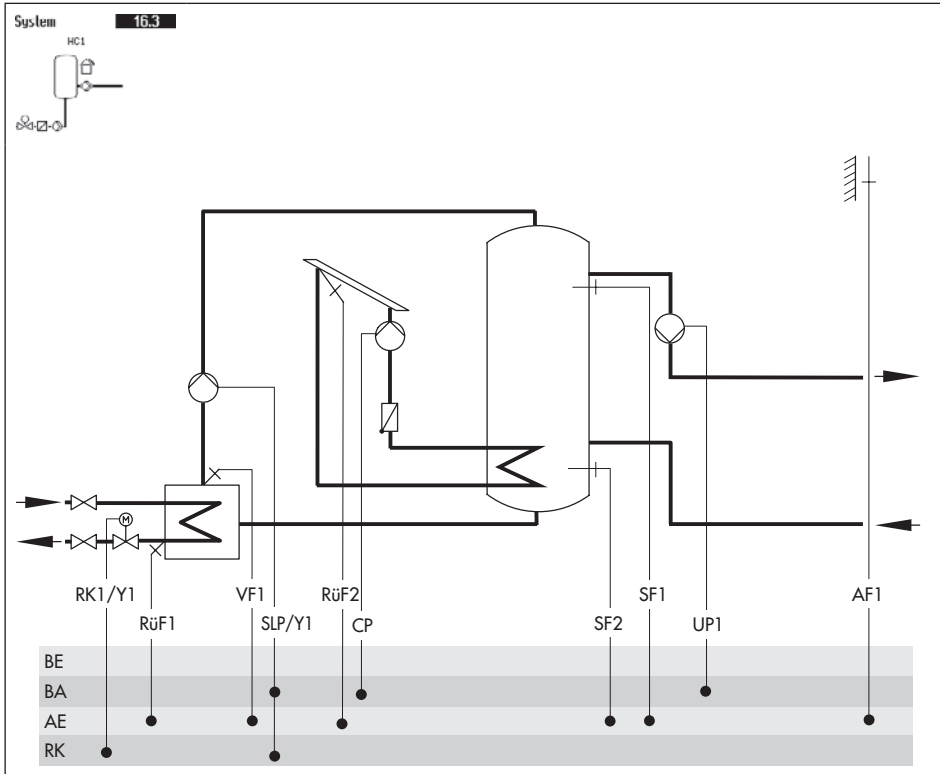
System Anl 16.2



Default settings

CO1 > F02	- 1 (with AF1)
CO1 > F03	- 1 (with RüF1)
CO5 > F07	- 0 (without error indication at terminal 29)

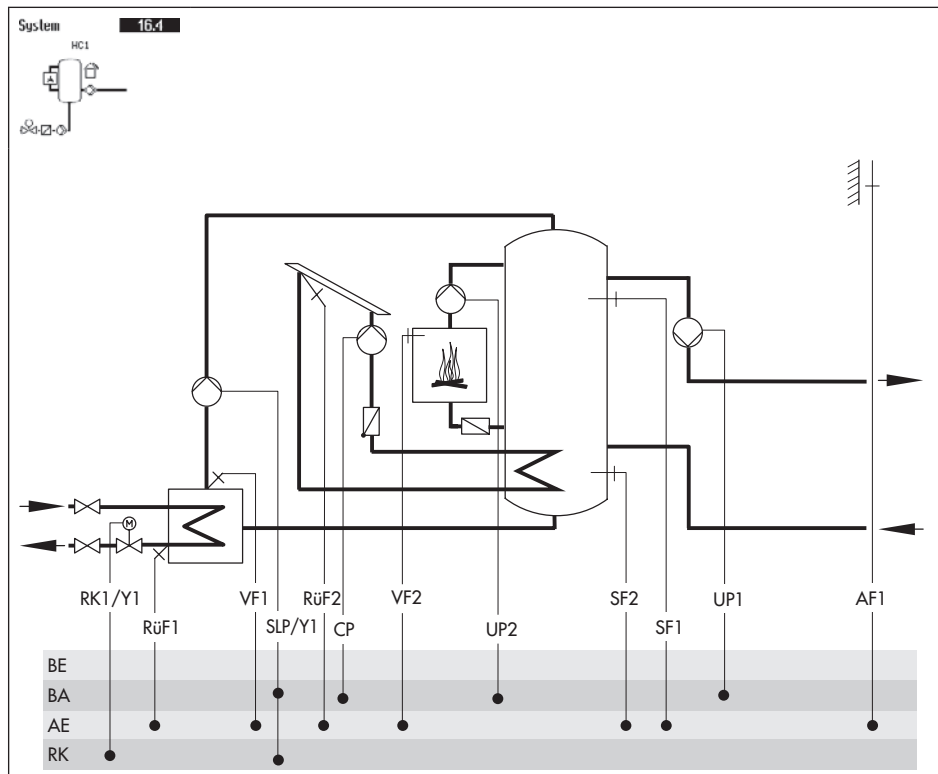
System Anl 16.3



Default settings

CO1 > F02	- 1 (with AF1)
CO1 > F03	- 1 (with RüF1)
CO5 > F07	- 0 (without error indication at terminal 29)

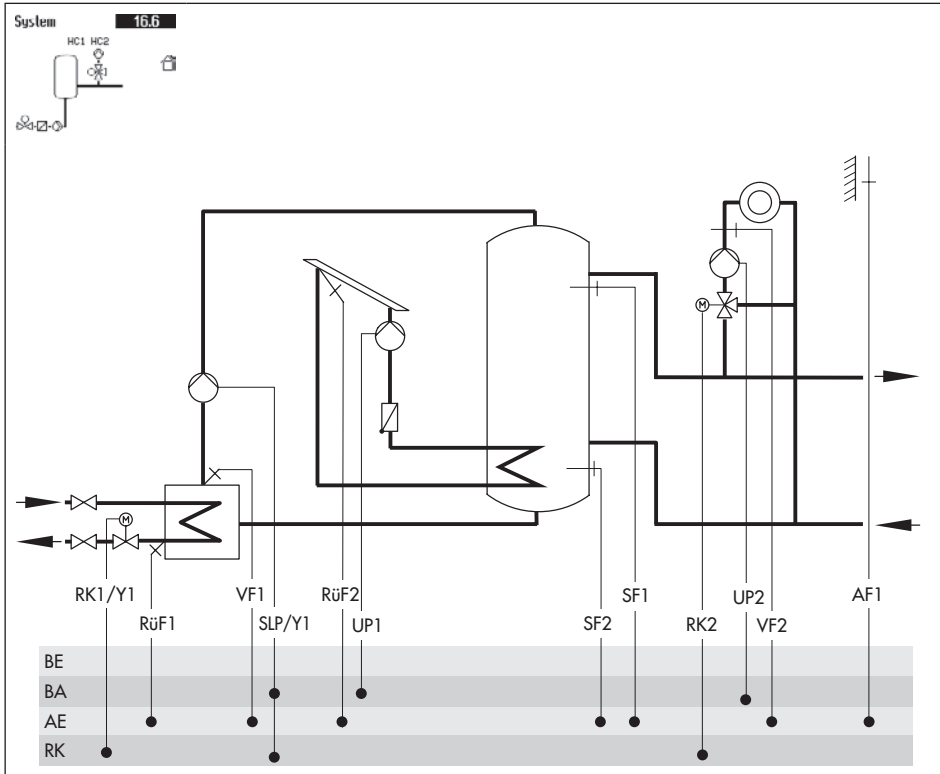
System Anl 16.4



Default settings

CO1 > F02	- 1 (with AF1)
CO1 > F03	- 1 (with RüF1)
CO5 > F07	- 0 (without error indication at terminal 29)

System Anl 16.6



Default settings

CO1 > F02	- 1 (with AF1)
CO1 > F03	- 1 (with RüF1)
CO2 > F02	- 0 (without AF2 for RK2)
CO2 > F03	- 0 (without RüF2)

6 Functions of the heating circuit

Which controller functions are available depends on the selected system code number (An1).

6.1 Weather-compensated control

When weather-compensated control is used, the flow temperature is controlled based on the outdoor temperature. The heating characteristic in the controller defines the flow temperature set point as a function of the outdoor temperature (see Fig. 3). The outdoor temperature required for weather-compensated control can either be measured at an outdoor sensor or received over the 0 to 10 V input.

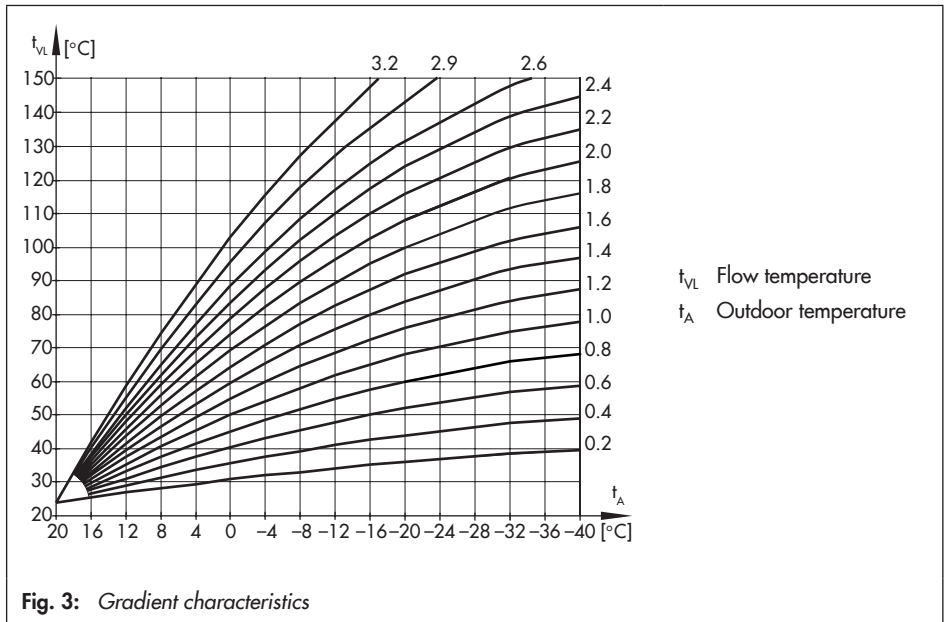
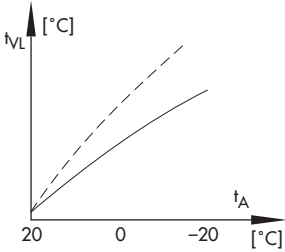


Fig. 3: Gradient characteristics

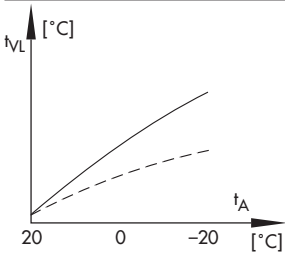
Functions	WE	Configuration
Outdoor sensor	0	CO1 > F02 - 1
0 to 10 V signal for outdoor temperature	0	CO5 > F23 - 1
	Input	Direction: Input
	-20 °C	Lower transmission range: -30 to 100 °C
	50 °C	Upper transmission range: -30 to 100 °C

6.1.1 Gradient characteristic

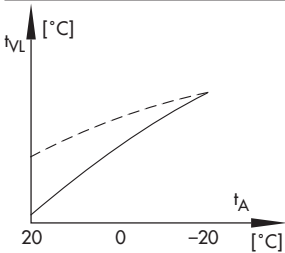
Basically, the following rule applies: a decrease in the outdoor temperature causes the flow temperature to increase in order to keep the room temperature constant. By varying the gradient and level parameters, you can adapt the characteristic to your individual requirements:



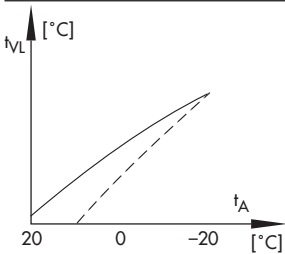
The gradient needs to be increased if the room temperature drops when it is cold outside.



The gradient needs to be decreased if the room temperature drops when it is cold outside.



The level needs to be increased and the gradient decreased if the room temperature drops when it is mild outside.



The level needs to be decreased and the gradient increased if the room temperature rises when it is mild outside.

Outside the times-of-use, reduced set points are used for control: the reduced flow set point is calculated as the difference between the adjusted values for 'Day set point' (rated room temperature) and 'Night set point' (reduced room temperature). The 'Max. flow temperature' and 'Min. flow temperature' parameters mark the upper and lower limits of the flow temperature. A separate gradient characteristic can be selected for the limitation of the return flow temperature.

Examples for adjusting the characteristic:

- Old building, radiator design 90/70: Gradient approx. 1.8
- New building, radiator design 70/55: Gradient approx. 1.4
- New building, radiator design 55/45: Gradient approx. 1.0
- Underfloor heating depending on arrangement: Gradient smaller than 0.5



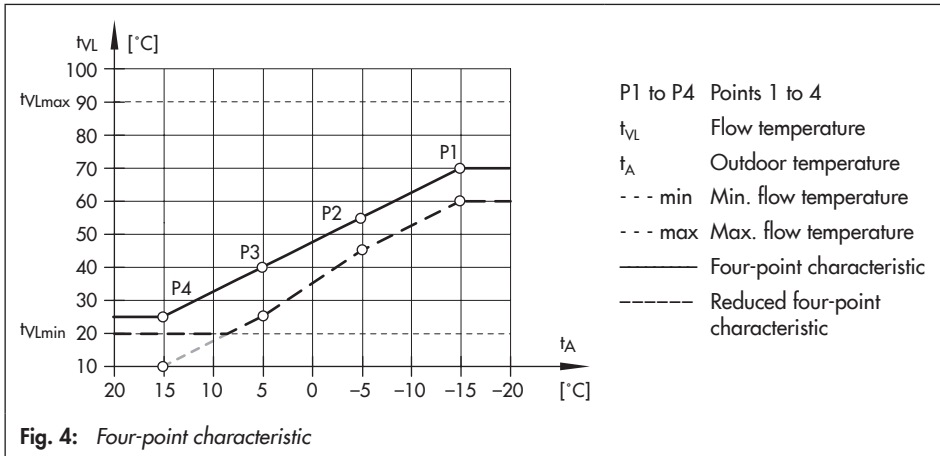
Note:

Particularly for control operation without room sensor, the room temperatures set for day ('Day set point') and night ('Night set point') only become effective satisfactorily when the heating characteristic has been adapted to the building/heating surface layout.

Functions	WE	Configuration
Four-point characteristic	0	CO1, 2 > F11 - 0
Parameters	WE	Switch position: value range
Day set point	20.0 °C	☀: -5.0 to 150.0 °C
Night set point	15.0 °C	☾: -5.0 to 150.0 °C
Parameters	WE	Parameters: value range
Flow gradient	1.8*	PA1, 2 > P01:0.2 to 3.2
Level (parallel shift)	0.0 °C	PA1, 2 > P02:-30.0 to 30.0 °C
Min. flow temperature	20.0 °C	PA1, 2 > P06:-5.0 to 150.0 °C
Max. flow temperature	90.0 °C*	PA1, 2 > P07:-5.0 to 150.0 °C
* With CO1, 2 > F05 - 1 the following Gradient: 0.2 to 1.0 (1.0) applies: Max. flow temperature: -5.0 to 50.0 °C (50.0 °C)		

6.1.2 Four-point characteristic

The four-point characteristic allows you to define your own heating characteristic. It is defined by four points for the outdoor temperature, flow temperature, reduced flow temperature and return flow temperature. The 'Max. flow temperature' and 'Min. flow temperature' parameters mark the upper and lower limits of the flow temperature.



Note:

- The 'Day set point' and 'Night set point' parameters are no longer available when the four-point characteristic has been selected, provided no additional functions (e.g. **optimization**, **flash adaptation**) have been selected.
- The four-point characteristic function can only be activated when the **adaptation** function is not active ($CO1, 2 > F08 - 0$).

Functions	WE	Configuration
Adaptation	0	CO1, 2 > F08 - 0
Four-point characteristic	0	CO1, 2 > F11 - 1

Parameters	WE	Parameters: value range
Outdoor temperature	Point 1 Point 2 Point 3 Point 4	-15.0 °C -5.0 °C 5.0 °C 15.0 °C
		PA1, 2 > P05: -50.0 to 50.0 °C

Parameters		WE	Parameters: value range
Flow temperature	Point 1	70.0 °C	PA1, 2 > P05: -5.0 to 150.0 °C
	Point 2	55.0 °C	
	Point 3	40.0 °C	
	Point 4	25.0 °C	
Reduced flow temperature	Point 1	60.0 °C	PA1, 2 > P05: -5.0 to 150.0 °C
	Point 2	40.0 °C	
	Point 3	20.0 °C	
	Point 4	20.0 °C	
Return flow temperature	Points 1 to 4	65.0 °C	PA1, 2 > P05: 5.0 to 90.0 °C
Min. flow temperature		20.0 °C	PA1, 2 > P06: -5.0 to 150.0 °C
Max. flow temperature		90.0 °C*	PA1, 2 > P07: -5.0 to 150.0 °C
* With CO1, 2 > F05 - 1 the following applies: Max. flow temperature: -5.0 to 50.0 °C (50.0 °C)			

6.2 Fixed set point control

During the times-of-use, the flow temperature can be controlled according to a fixed set point. Outside the times-of-use, the controller regulates to a reduced flow temperature. Set the desired rated flow temperature as 'Day set point', and the reduced flow temperature as 'Night set point'.

Functions	WE	Configuration
Outdoor sensor		CO1 > F02 - 0
Parameters	WE	Switch position: value range
Day set point	50.0 °C	↓☀: Min. to max. flow temperature
Night set point	30.0 °C	↓☾: Min. to max. flow temperature
Parameters	WE	Parameters: value range
Min. flow temperature	20.0 °C	PA1, 2 > P06: -5.0 to 150.0 °C
Max. flow temperature	90.0 °C	PA1, 2 > P07: -5.0 to 150.0 °C



Note:

A fixed set point control in heating circuit HC2 can only be configured with CO2 > F02 - 0 when CO1 > F02 - 0 is also configured since heating circuit HC2 configured with CO2 > F02 - 0 only uses the measured outdoor temperature provided by heating circuit HC1.

6.3 Underfloor heating/drying of jointless floors

Using function block setting CO1, 2 > F05 - 1, the respective heating circuit is configured as an underfloor heating circuit. In doing so, the controller at first only limits the value ranges of the heating characteristic gradient and the maximum flow temperature in PA1, 2 parameter levels:

- Value range of the gradient: 0.2 to 1.0
- Value range of the maximum flow temperature: 5 to 50 °C

In addition, it is possible to activate the **drying of jointless floors** function. In connection with this, the function block parameters are listed which appear after activating this function block. They determine the drying process: the first heating up phase starts at the entered Start temperature, which has a flow temperature of 25 °C in its default setting. In the course of 24 hours, this temperature is raised by the value entered in 'Temp. rise/day', i.e. the default setting causes the flow temperature set point to rise to 30 °C. If the maximum temperature is reached, it is kept constant for the number of days entered in 'Duration'. The 'Temp. reduction/day' parameter determines the temperature reduction downwards. If the 'Temp. reduction/day' is set to 0, the temperature maintaining phase moves directly to automatic mode. If the function block parameter 'Start temperature' is set to 25 °C and 'Temp. rise/day' to 0.0 °C, the drying functions runs as specified in Part 4 of DIN EN 1264: the drying of jointless floors function starts with a flow temperature of 25 °C, which is kept constant for three days. Afterwards, the controller switches to the maximum adjusted temperature. The further process remains unchanged. The **drying of jointless floors** function is activated using the adjusted 'Start temperature' by changing the setting 'Stop' to 'Start'. 'Start' is displayed when the drying function starts. The restarting stages 'Hold' and 'Reduction' can be selected to continue an interrupted drying process. The course of the drying process can be monitored in the operating level by reading the measured data of the associated heating circuit.

CO1	□ □ ■ ■ □ □ □ □ □ □ □ □
Hold (days)	4
Temp. red./day	0.0°C
Start condition	Stop
F07 Optimization	0
Start condition	

The drying process has been successfully completed when 'Done' is displayed. This disappears from the display after resetting the display to Stop in CO1, 2 > F05 or after interrupting the power supply. Any power failure that occurs while the function is running automatically restarts the drying function. In systems in which the drying function had to be interrupted due to DHW heating (e.g. system Anl 2.1), storage tank charging does not occur while the drying function is active, provided it is not used for frost protection of the storage tank.



NOTICE

The function block parameter can only be accessed after starting the function by resetting to 'Stop' in CO1, 2 > F05.

Functions	WE	Configuration
Underfloor heating/drying of jointless floors	0	CO1, 2 > F05 - 1
	25.0 °C	Start temperature: 20.0 to 60.0 °C
	5.0 °C	Temp. rise/day: 1.0 to 10.0 °C
	45.0 °C	Maximum temperature: 25.0 to 60.0 °C
	4	Duration: 0 to 10 days
	0.0 °C	Temp. reduction/day: 0.0 to 10.0 °C
	Stop	Start condition: Stop, Start, Hold, Reduction

6.4 Outdoor temperature for continuous day mode

If a heating circuit is in night mode (automatic mode, ☺), this circuit is switched to day mode whenever the outdoor temperature falls below 'Outdoor temperature for continuous day mode'. Reduced operation restarts after the outdoor temperature rises above the limit (plus 0.5 °C hysteresis).

This function is activated at very low temperatures to avoid that the building cools down excessively outside the times-of-use when low outdoor temperatures occur.

Parameters	WE	Parameters: value range
Outdoor temperature for continuous day mode	-15.0 °C	PA1, 2 > P09: -50.0 to 5.0 °C

6.5 Buffer tank systems Anl 16.x

The systems Anl 16.x are fitted with a buffer tank. The buffer tank can be charged by the district heating system according to an adjustable characteristic or to an adjustable fixed set point. The storage tank charging pump SLP is controlled to the storage tank set point (e.g. 45.3 °C), which is based on the outdoor temperature. Storage tank charging starts when temperature falls below the outdoor-temperature-based set point at SF1. The charging temperature results from the outdoor-temperature-based set point plus 6 °C (e.g. 51.3 °C). The storage tank charging is finished when the temperature at SF2 exceeds the outdoor-temperature-based set point by 3 °C (e.g. 48.3 °C).

With $CO1 > F21 - 1$, Y1 for speed control of the storage tank charging pump is available. All storage tank charging actions start with the minimum pump speed (function block parameter: 'Min. speed signal'). As soon as the charging temperature at VF1 is nearly reached, the speed of the storage tank charging pump is increased and the valve controls the flow rate. If the temperature at SF2 reaches the value entered in Start speed reduction, the signal level at Y1 is reduced within the range between the limits entered in Start speed reduction and Stop speed reduction. Y1 is set to 0 V when the storage tank charging pump is switched off.

For systems without a downstream control circuit, a transmitted external demand causes the feeder pump UP1 to be activated and can override the current buffer tank set point, if necessary. For systems with a downstream control circuit, either a transmitted external demand or the demand of the downstream control circuit causes the feeder pump UP1 to be activated, regardless of the $CO5 > F14$ setting. Regardless of the $CO5 > F14$ setting, the external demand and the demand of the downstream control circuit can override the current buffer tank set point.

The pump UP2 of the solid-fuel boiler circuit starts to run when the temperature reaches 'Start temperature for boiler pump' at VF2. The boiler pumps is switched off again when the temperature at VF2 falls below the temperature $T = \text{'Start temperature for boiler pump'} - \text{'Boiler pump hysteresis'}$.

In systems Anl 16.3, 16.4 and 16.6, a solar circuit is integrated, which uses sensor SF2 for control. The collector circuit pump CP is activated when the temperature at the collector sensor RUF2 is higher than that at storage tank sensor SF2 by the value entered in 'Solar circuit pump ON'. It is deactivated when the temperature difference falls below the value entered in 'Solar circuit pump OFF' or when the temperature at the storage tank sensor SF2 reaches 'Max. storage tank temperature'.



Note:

The buffer tank control circuit is deactivated as described in section 6.4. When pre-defined gradients of heating characteristic ($CO1 > F11 - 0$) are used, night mode is not possible in the buffer tank control circuit. In contrast to an active four-point characteristic ($CO1 > F11 - 1$): in this case, a four-point characteristic exists for day and night modes.

Functions	WE	Configuration
Speed reduction of charging pump based on charging progress	0	CO1 > F21
	40 °C	Start speed reduction: 5 to 90 °C
	50 °C	Stop speed reduction: 5 to 90 °C
	2 V	Min. speed signal: 0 to 10 V

Parameters	WE	Parameters: value range
Solar circuit pump ON	10.0 °C	PA4 > P10: 1.0 to 30.0 °C
Solar circuit pump OFF	3.0 °C	PA4 > P11: 0.0 to 30.0 °C
Max. storage tank temperature	80.0 °C	PA4 > P12: 20.0 to 90.0 °C
Start temperature for boiler pump	60.0 °C	PA5 > P01: 20.0 to 90.0 °C
Boiler pump hysteresis	5.0 °C	PA5 > P02: 0.0 to 30.0 °C

6.6 Summer mode

Summer mode is activated depending on the mean daytime temperature (measured between 7.00 h and 22.00 h) during the adjusted summer time period. If the mean daytime temperature exceeds the 'Boost' on the number of successive days set in 'No. days until activation', summer mode is activated on the following day. This means that the valves in all heating circuits are closed and the circulation pumps are switched off after $t = 2 \times$ valve transit time. If the mean daytime temperature falls below the 'Limit' on the number of successive days set in 'No. days until deactivation', summer mode is deactivated on the following day.

Functions	WE	Configuration
Summer mode	0	CO5 > F04 - 1
	01.06 - 30.09	Time: Adjustable as required
	2	No. days until activation: 1 to 3
	1	No. days until deactivation: 1 to 3
	18.0 °C	Limit: 0.0 to 30.0 °C



Note:

Summer mode only becomes effective when the controller is in automatic mode (Ⓜ).

6.7 Delayed outdoor temperature adaptation

The calculated outdoor temperature is used to determine the flow temperature set point. The heat response is delayed when the outdoor temperature either increases or decreases or both. If the outdoor temperature varies by, for example, 12 °C within a very short period of time, the calculated outdoor temperature is adapted to the actual outdoor temperature in small steps (delay time of 3 °C/h) over a time period of $t = \frac{12\text{ °C}}{3\text{ °C/h}} = 4\text{ h}$.



Note:

The delayed outdoor temperature adaptation helps avoid unnecessary overloads of central heating stations in combination with either overheated buildings occurring, for example, due to warm winds, or temporarily insufficient heating due to the outdoor sensor being exposed to direct sunshine. In the operating level, the outdoor temperature blinks on the display while delayed outdoor temperature adaptation is active. A small hour glass appears next to the thermometer on the display when this function is active. The calculated outdoor temperature is displayed.

Functions	WE	Configuration
Delayed outdoor temperature adaptation (decreasing)	0	CO5 > F05 - 1 Delay/h: 1.0 to 6.0 °C
Delayed outdoor temperature adaptation (increasing)	0 3.0 °C	CO5 > F06 - 1 Delay/h: 1.0 to 6.0 °C

6.8 Remote operation

Apart from measuring the room temperature, the Type 5257-5 Room Panel (Pt 1000 sensor) provides the following opportunities of influencing the control process:

- Selection of the operating mode:
 - Ⓜ Automatic mode
 - ⊛ Day mode
 - ⌚ Night mode
- Set point correction: during rated operation, the room temperature set point can be increased or reduced by up to 5 °C using a continuously adjustable rotary knob.

With an activated room sensor, the measured room temperature is displayed when the remote operation is connected and activated. Nevertheless, it is not used for control when either the **optimization**, **adaptation** or **flash adaptation** function is activated.

Type 5257-5	TROVIS 5573-1	
	RK1	RK2
Terminal 1	Terminal 5	Terminal 3
Terminal 2	Terminal 12	Terminal 12
Terminal 3	Terminal 9	Terminal 10

Fig. 5: Wiring plan for Type 5257-5 Room Panel to TROVIS 5573-1 for RK1 or RK2

Functions	WE	Configuration
Room sensor	0	CO1, 2 > F01 - 1

6.9 Optimization

This function requires the use of a room sensor. Depending on the building characteristics, the controller determines and adapts the required advance heating time (maximum 8 hours) to ensure that the desired 'Day set point' (rated room temperature) has been reached in the reference room when the time-of-use starts. During the advance heating period, the controller heats with the max. flow temperature. This temperature is built up in steps of 10 °C. As soon as the 'Day set point' has been reached, weather-compensated control is activated.

Depending on the room sensor, the controller switches off the heating system up to one hour before the time-of-use ends. The controller chooses the deactivation time such that the room temperature does not drop significantly below the desired value until the time-of-use ends.

During the advance heating period and the premature deactivation of the heating system, the ⚙ or ⌚ icon blink on the display.

Outside the times-of-use, the controller monitors the 'Night set point' (reduced room temperature). When the temperature falls below the night set point, the controller heats with the max. flow temperature until the measured room temperature exceeds the adjusted value by 1 °C.



Note:

- Direct sunshine can cause the room temperature to increase and thus result in the premature deactivation of the heating system.
- When the room temperature decreases while the heating system is shortly outside its times-of-use, this can prematurely cause the controller to heat up to the 'Day set point'.

Functions	WE	Configuration
Room sensor	0	CO1, 2 > F01 - 1
Outdoor sensor		CO1 > F02 - 1
Optimization	0	CO1, 2 > F07 - 1
Parameters	WE	Switch position: value range
Day set point	20.0 °C	☀: -5.0 to 150.0 °C
Night set point	15.0 °C	🌙: -5.0 to 150.0 °C

6.10 Flash adaptation

To ensure that the controller reacts immediately to room temperature deviations during rated or reduced operation, the function block setting CO1, 2 > F09 - 1 needs to be made. The heating is then always switched off as soon as the room temperature exceeds the 'Day set point' or 'Night set point' by 2 °C.

Heating first starts again when the room has cooled off and the room temperature is 1 °C above the set point. The flow temperature set point is corrected if the 'Cycle time' and 'KP (gain)' are set to a value other than 0. The 'Cycle time' determines the intervals at which the flow temperature set point is corrected by 1 °C. A 'KP (gain)' set to a value other than 0 causes a direct increase/decrease in flow temperature set point when a sudden deviation in room temperature arises. A 'KP (gain)' setting of 10.0 is recommended.



Note:

- Cooling loads, such as drafts or open windows, affect the control process.
- Rooms may be temporarily overheated after the cooling load has been eliminated.

Functions	WE	Configuration
Room sensor	0	CO1, 2 > F01 - 1
Flash adaptation	0 20 min 0.0	CO1, 2 > F09 - 1 Cycle time: 0 to 100 min KP (gain): 0.0 to 25.0
Parameters	WE	Switch position: value range
Day set point	20.0 °C	☀: -5.0 to 150.0 °C
Night set point	15,0 °C	☾: -5.0 to 150.0 °C

6.10.1 Flash adaptation without outdoor sensor (based on room temperature)

The flow temperature control starts with 'Day set point' for flow in rated operation or with 'Night set point' for flow in reduced operation as no set points calculated using characteristics exist without an outdoor sensor. The 'Cycle time' determines the intervals at which the flow temperature set point is corrected by 1 °C. The heating is then always switched off as soon as the room temperature exceeds the 'Day set point' or 'Night set point' by 2 °C. Heating first starts again when the room has cooled off and the room temperature is 1 °C above the set point. A 'KP (gain)' set to a value other than 0 causes a direct increase/decrease in flow temperature set point when a sudden deviation in room temperature arises. A 'KP (gain)' setting of 10.0 is recommended.

Functions	WE	Configuration
Room sensor	0	CO1, 2 > F01 - 1
Outdoor sensor		CO1 > F02 - 0
Flash adaptation	0 20 min 0.0	CO1, 2 > F09 - 1 Cycle time: 1 to 100 min KP (gain): 0.0 to 25.0
Parameters	WE	Switch position: value range
Day set point	20.0 °C	☀: -5.0 to 150.0 °C
Night set point	15,0 °C	☾: -5.0 to 150.0 °C
Parameters	WE	Parameters: value range
Flow set point (day)	50.0 °C	PA1, 2 > P03: -5.0 to 150.0 °C
Flow set point (night)	30.0 °C	PA1, 2 > P04: -5.0 to 150.0 °C

6.11 Adaptation

The controller is capable of automatically adapting the heating characteristic to the building characteristics, provided a gradient characteristic has been set (CO1, 2 > F11 - 0). The reference room, where the room sensor is located, represents the entire building and is monitored to ensure that the room set point ('Day set point') is maintained. When the mean measured room temperature in rated operation deviates from the adjusted set point, the heating characteristic is modified accordingly for the following time-of-use. The corrected value is displayed in PA1, 2 > P01 ('Flow gradient').

Functions	WE	Configuration
Room sensor	0	CO1, 2 > F01 - 1
Outdoor sensor		CO1 > F02 - 1
Adaptation	0	CO1, 2 > F08 - 1
Four-point characteristic	0	CO1, 2 > F11 - 0
Parameters	WE	Switch position: value range
Day set point	20.0 °C	☼: -5.0 to 150.0 °C
Night set point	15.0 °C	☾: -5.0 to 150.0 °C



Note:

If the flash adaptation function is already configured with a small cycle time, the adaptation function should not be configured as well.

6.12 Cooling control

Cooling control with outdoor sensor

When the cooling control function is activated in a control circuit with outdoor sensor, the four-point characteristic of the corresponding control circuit is automatically activated and the operating direction of the control output is reversed. In PA1 and/or PA2 the four points for the course of the set point based on the outdoor temperatures can be adjusted separately for day and night mode. The 'Base point for return flow temperature' that can be adjusted with an active return flow sensor determines the point at which a minimum limitation of the return flow temperature starts: if the measured return flow temperature falls below this value, the flow temperature set point is raised. The four return flow temperature values in the four-point characteristic function have no effect.

Functions	WE	Configuration	
Outdoor sensor		CO1 > F02 - 1	
Cooling control	0	CO1, 2 > F04 - 1	
Four-point characteristic	0	CO1, 2 > F11 - 1	
Parameters	WE	Parameters: value range	
Outdoor temperature	Point 1	5.0 °C	PA1, 2 > P05: -50.0 to 50.0 °C
	Point 2	15.0 °C	
	Point 3	25.0 °C	
	Point 4	30.0 °C	
Flow temperature	Point 1	20.0 °C	PA1, 2 > P05: -5.0 to 150.0 °C
	Point 2	15.0 °C	
	Point 3	10.0 °C	
	Point 4	5.0 °C	
Reduced flow temperature	Point 1	30.0 °C	PA1, 2 > P05: -5.0 to 150.0 °C
	Point 2	25.0 °C	
	Point 3	20.0 °C	
	Point 4	15.0 °C	
Base point for return flow temperature	65.0 °C	PA1, 2 > P13: 5.0 to 90.0 °C	



Note:

The limiting factors 'KP' of the **return flow sensor** (CO1, 2 > F03) functions apply during cooling control as well.

Cooling control without outdoor sensor

When the cooling control function is activated in a control circuit without outdoor sensor, only the adjustment limits for the day and night set points at the rotary switch as well as the 'Base point for return flow temperature' can be adjusted in PA1 and/or PA2.

Functions	WE	Configuration
Outdoor sensor		CO1 > F02 - 0
Cooling control	0	CO1, 2 > F04 - 1
Parameters	WE	Switch position: value range
Flow set point (day)	50.0 °C	☀: -5.0 to 150.0 °C
Flow set point (night)	30.0 °C	☾: -5.0 to 150.0 °C

Functions of the heating circuit

Parameters	WE	Parameters: value range
Min. flow temperature	20.0 °C	PA1, 2 > P06: -5.0 to 150.0 °C
Max. flow temperature	90.0 °C	PA1, 2 > P07: -5.0 to 150.0 °C
Base point for return flow temperature	65.0 °C	PA1, 2 > P13: 5.0 to 90.0 °C



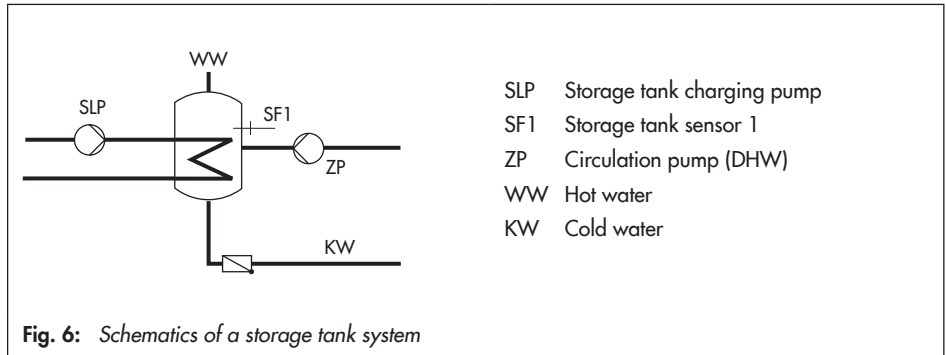
Note:

The limiting factors 'KP' of the **return flow sensor** (CO1, 2 > F03) functions apply during cooling control as well.

7 Functions of the DHW circuit

7.1 DHW heating in the storage tank system

Start storage tank charging



The controller begins charging the storage tank when the water temperature measured at storage tank sensor 1 falls below the 'DHW temperature set point' by 0.1 °C. If the flow temperature in the system exceeds the desired charging temperature, the controller tries to reduce the flow temperature in the heating circuit for up to three minutes before the storage tank charging pump is activated. When there is no heating operation or when the flow temperature in the system is lower, the storage tank charging pump is switched on immediately. If the function CO4 > F15 - 1 (**SLP ON depending on return flow temperature**) is activated, the primary valve is opened without simultaneously operating the storage tank charging pump. The storage tank charging pump is first switched on when the primary return flow temperature has reached the temperature currently measured at storage tank sensor 1. This function enables storage tank charging when the heating system is switched off, e.g. in summer mode, without cooling down the storage tank first by filling it with cold flow water. The storage tank charging pump does not start operation before a sufficiently high temperature has been reached at the heat exchanger.



Note:

The 'DHW temperature set point' is to be regarded in relation to the charging temperature if a storage tank thermostat is used.

Time-controlled switchover of storage tank sensors

By configuring a second storage tank sensor 2, it is possible to determine by setting the function block CO4 > F19 - 1 that the storage tank sensor 1 is used for day mode in the DHW circuit and storage tank sensor 2 for night mode. As a result, different storage tank volumes can be kept at a constant temperature according to a time schedule, and also at different temperatures if the 'DHW temperature set points' for day and night differ from one another.

Stop storage tank charging

The controller stops charging the storage tank when the water temperature measured at storage tank sensor 1 has reached the temperature $T = \text{'DHW temperature'} + \text{'Hysteresis'}$. When there is no heating operation or when the flow temperature demand in the system is lower, the corresponding valve is closed. The storage tank charging pump is switched off after $t = \text{'Lag time of storage tank charging pump'} \times \text{'Valve transit time'}$.

With the default settings, the temperature in the storage tank is increased by 5 °C to reach 60 °C when the storage tank temperature falls below 55 °C. The charging temperature is calculated from the DHW temperature (55 °C) plus the 'Charging temperature boost' (10 °C), which equals 65 °C. When the storage tank has been charged, the heating valve is closed and the charging pump continues to run for the time $t = P06 \times \text{Valve transit time}$. Outside the times-of-use, the storage tank is only charged when the temperature falls below 40 °C ('Night set point for DHW temperature'). In this case, the tank is charged with a charging temperature of 50 °C until 45 °C is reached in the tank.

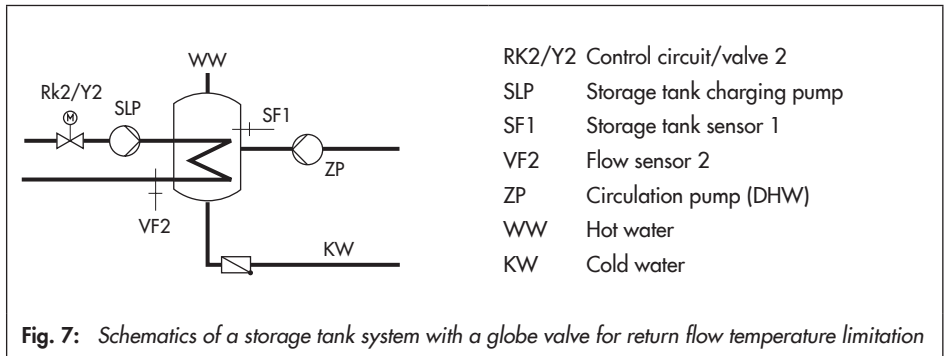
Functions	WE	Configuration
Storage tank sensor 1		CO4 > F01 - 1
Storage tank sensor 2		CO4 > F02 (-1 with CO4 > F19 - 1)
SLP depending on return flow temperature 0		CO4 > F15
Switchover	0	CO4 > F19 (-1 only when CO4 > F02 - 1)
Parameters	WE	Switch position: value range
Day set point for 'DHW temperature' or charging temperature when CO4 > F01 - 0	55.0 °C	☺☼: Min. to max. adjustable DHW set point
Night set point for 'DHW temperature'	40.0 °C	☺☾: Min. to max. adjustable DHW set point
Parameters	WE	Parameters: value range
Min. adjustable DHW set point*	40.0 °C	PA4 > P01: 5.0 to 90.0 °C
Max. adjustable DHW set point*	60.0 °C	PA4 > P02: 5.0 to 90.0 °C
Hysteresis**	5.0 °C	PA4 > P03: 0.0 to 30.0 °C

Parameters	WE	Parameters: value range
Charging temperature boost***	10.0 °C	PA4 > P04: 1.0 to 50.0 °C
Lag time for storage tank charging pump	1.0	PA4 > P06 x Valve transit time: 0.0 to 10.0

- * Parameters serve as limitation of the adjustment range for the DHW temperature to be set at the rotary switch
- ** Deactivation value T = DHW temperature + 'Hysteresis'
- *** Charging temperature T = DHW temperature + 'Charging temperature boost'

7.1.1 DHW circuit additionally controlled by a globe valve

In system An1 11.1, the following version with globe valve can be configured instead of the three-way valve control in the DHW circuit:



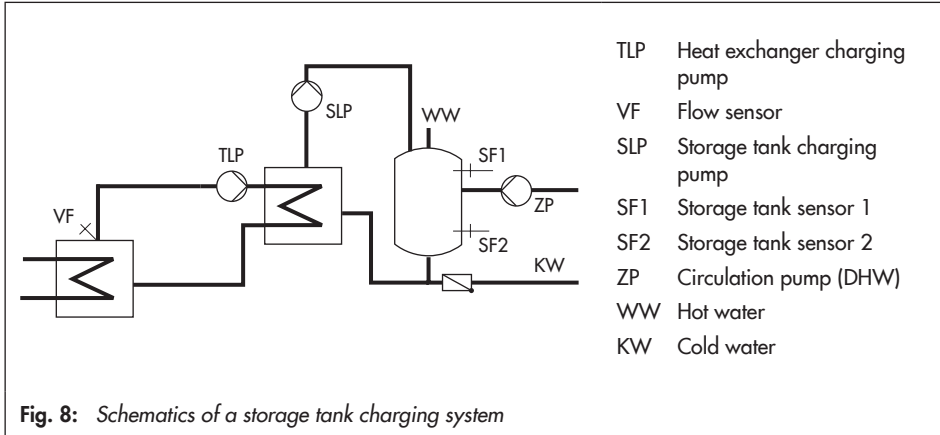
Globe valve and temperature sensor VF2 are used exclusively for return flow temperature limitation in the schematics shown above. The pre-control circuit provides at least the same flow temperature as in the standard schematic version which is calculated from 'DHW temperature set point' + 'Charging temperature boost' + 'Boost set point (pre-control circuit)'. The functions and parameters of the DHW heating in the storage tank system are upgraded by the following settings:

Functions	WE	Configuration
Return flow control	0	CO4 > F20 - 1

Parameters	WE	Parameters: value range
Max. return flow temperature	65.0 °C	PA4 > P07: 20.0 to 90.0 °C

7.2 DHW heating in the storage tank charging system

Start storage tank charging



The controller begins charging the storage tank when the water temperature measured at storage tank sensor 1 falls below the 'DHW temperature set point' by 0.1 °C. If the flow temperature in the system exceeds the desired charging temperature, the controller tries to reduce the flow temperature in the heating circuit for up to three minutes before the exchanger charging pump is activated together with the storage tank charging pump. When there is no heating operation or when the flow temperature in the system is lower, the exchanger charging pump is switched on immediately. If the temperature currently measured at storage tank sensor 1 is reached at the flow sensor VF or after three minutes at the latest, the storage tank charging pump is switched on. If a storage tank thermostat is used, the storage tank charging pump is switched on when the temperature $T = \text{Charging temperature} - 5\text{ °C}$ is reached at the flow sensor VF.



Note:

The 'DHW temperature set point' is to be regarded in relation to the charging temperature if a storage tank thermostat is used.

When the flow sensor VF4 is activated, the set point in the heat exchanger circuit is influenced by the system deviation in the storage tank charging circuit upon activation of the storage tank charging pump: if the temperature measured at flow sensor VF4 is lower than the desired 'Charging temperature', the set point in the heat exchanger circuit is increased in

steps of 1 °C. When the set point in the heat exchanger charging circuit reaches the 'Max. charging temperature', the set point is no longer increased. An "Err 4" error message is generated.



Note:

The set point in the heat exchanger circuit which is valid at the end of the charging cycle will be used again at the beginning of the next cycle.

If times-of-use have been programmed for DHW heating, the 'DHW temperature set point' adjusted at the rotary switch is applied during these times-of-use. Outside the times-of-use, the night set point for DHW temperature is used. This does not apply when a storage tank thermostat is used.

Time-controlled switchover of storage tank sensors

By configuring a second storage tank sensor 2, it is possible to determine by setting the function block CO4 > F19 - 1 that the storage tank sensor 1 is used for day mode in the DHW circuit and storage tank sensor 2 for night mode. As a result, different storage tank volumes can be kept at a constant temperature according to a time schedule, and also at different temperatures if the 'DHW temperature set points' for day and night differ from one another.

Stop storage tank charging

The controller stops charging the storage tank when the water temperature measured at storage tank sensor 2 has reached the temperature $T = \text{'DHW temperature'} + \text{'Hysteresis'}$. To do so, the heat exchanger charging pump is immediately switched off. When there is no heating operation or when the flow temperature demand in the system is lower, the corresponding valve is closed. The storage tank charging pump is switched off after the time has elapsed $t = PO6 \times \text{valve transit time}$.

Functions	WE	Configuration
Storage tank sensor 1		CO4 > F01 - 1
Storage tank sensor 2		CO4 > F02 - 1
Flow sensor	0	CO4 > F05
Switchover	0	CO4 > F19
Parameters	WE	Switch position: value range
Day set point for DHW temperature or charging temperature when CO4 > F01 - 0	55.0 °C	⬇️⚙️: Min. to max. adjustable DHW set point

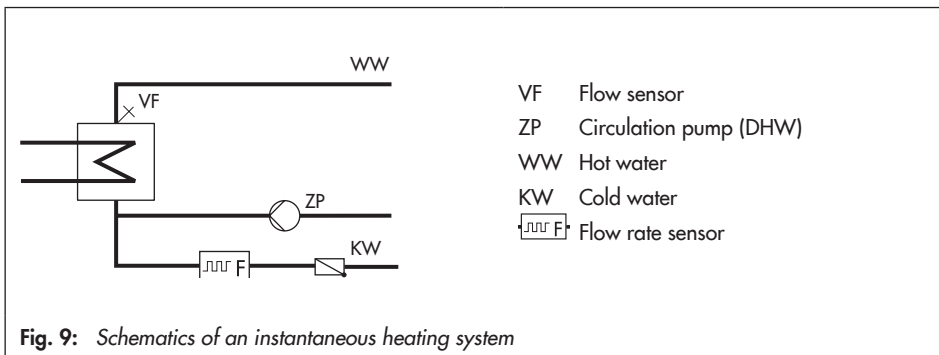
Parameters	WE	Switch position: value range
Night set point for DHW temperature	40.0 °C	☺: Min. to max. adjustable DHW set point
Min. adjustable DHW set point*	40.0 °C	PA4 > P01: 5.0 to 90.0 °C
Max. adjustable DHW set point*	60.0 °C	PA4 > P02: 5.0 to 90.0 °C
Hysteresis**	5.0 °C	PA4 > P03: 1.0 to 30.0 °C
Charging temperature boost***	10.0 °C	PA4 > P04: 0.0 to 50.0 °C
Max. charging temperature	80.0 °C	PA4 > P05: 20.0 to 150.0 °C (only with VF4)
Lag time for storage tank charging pump	1.0	PA4 > P06: 0.0 to 10.0

* Parameters serve as limitation of the adjustment range for the DHW temperature to be set at the rotary switch

** Deactivation value $T = \text{'DHW temperature'} + \text{'Hysteresis'}$

*** Charging temperature $T = \text{'DHW temperature'} + \text{'Charging temperature boost'}$

7.3 DHW heating in instantaneous heating system



Without flow rate sensor or flow switch, the control of the required DHW temperature at the flow sensor VF is only active during times-of-use of the circulation pump ZP. The flow rate sensor or flow switch allows the controller to recognize when DHW tapping starts and stops. Control of the required DHW temperature can be made to be active only during DHW tapping by deleting all times-of-use of the circulation pump.

The control of the required DHW temperature at the flow sensor VF is only active during times-of-use of the circulation pump ZP.

Functions	WE	Configuration
Flow rate sensor	0 Analog	CO4 > F04 - 1 Selection: Analog (flow rate sensor), binary (flow switch)

Parameters	WE	Switch position: value range
Day set point for DHW temperature	55.0 °C	☀: Min. to max. adjustable DHW set point
Night set point for DHW temperature	40.0 °C	🌙: Min. to max. adjustable DHW set point

Parameters	WE	Parameters: value range
Min. adjustable DHW set point	40.0 °C	PA4 > P01: 5.0 to 90.0 °C
Max. adjustable DHW set point	60.0 °C	PA4 > P02: 5.0 to 90.0 °C

7.4 Domestic hot water heating with solar system

The systems An1 1.3 and 2.3 are fitted with a solar system for DHW heating. In these systems, the difference between the temperatures measured at storage sensor SF2 and the sensor at the solar collector VF3 is determined. The 'Solar circuit pump ON' parameter determines the minimum temperature difference between sensors VF3 and SF2 required to activate the solar circuit pump. If the temperature difference falls below the value of 'Solar circuit pump OFF', the solar circuit pump is switched off. Basically, the solar circuit pump is also switched off when the water temperature measured at sensor SF2 has reached the 'Max. storage tank temperature'.



Note:

The times-of-use of the DHW circuit do not affect the operation of the solar system.

After the key number 1999 has been entered, the operating hours of the solar circuit pump are displayed in the extended operating level. See page 9.

Parameters	WE	Parameters: value range
Solar circuit pump ON	10.0 °C	PA4 > P10: 1.0 to 30.0 °C
Solar circuit pump OFF	3.0 °C	PA4 > P11: 0.0 to 30.0 °C
Max. storage tank temperature	80.0 °C	PA4 > P12: 20.0 to 90.0 °C

7.5 Intermediate heating

This function can only be activated in systems AnI 2.x, 4.1 and 4.5.

With the setting $CO4 > F07 - 1$, heating operation of the UP1 heating circuit is reactivated for a period of 10 minutes after 20 minutes of priority operation (heating deactivated during DHW heating). By setting $CO4 > F07 - 0$, storage tank charging is given unlimited priority over the heating operation in the UP1 heating circuit.

Functions	WE	Configuration
Intermediate heating	1	$CO4 > F07 - 1$

7.6 Parallel pump operation

This function can only be activated in systems AnI 2.1 to 2.1, 4.1 and 4.5.

When $CO4 > F06 - 1$, the circulation pump UP1 remains activated during DHW heating.

This does not include operating situations during which the current flow temperature demand of the pump circuit is lower than the adjusted 'Temperature limit'. In this case, the controller applies priority operation, if necessary with intermediate heating. Once a parallel pump operation cycle has been activated and the time period set in 'Stop' has elapsed, system deviations greater than 5 °C cause the controller to suspend parallel operation for 10 minutes and to apply priority operation.

Setting 'Stop' to 0 min leads to a parallel operation once initiated remaining regardless of a deviation.

Functions	WE	Configuration
Parallel pump operation	0	$CO4 > F06 - 1$
	10 min	Stop: 0 to 10 min
	40.0 °C	Temperature limit: 20.0 to 90.0 °C

7.7 Speed control of charging pump

An active speed control of the charging pump ($CO4 > F21 - 1$) causes the storage tank sensor 2 to be activated, however, in combination with $CO4 > F02 - 0$ only to measure the speed control.

When the storage tank charging pump SLP is switched on, the speed control of the pump is activated: if the temperature at the storage tank sensor 2 is low at the beginning, a 10 V signal is issued at Y1. If the temperature at SF2 reaches the value entered in 'Start speed reduction', the signal level at Y1 is reduced within the range between the limits entered in 'Start

speed reduction' and 'Stop speed reduction' (10 V to 'Min. speed signal' corresponds with 'Start speed reduction' to 'Stop speed reduction'). Y1 is set to 0 V when the storage tank charging pump is switched off.

Functions	WE	Configuration
Speed reduction of charging pump based on charging progress	0	CO4 > F21 - 1
	40.0 °C	Start speed reduction: 5.0 to 90.0 °C
	50.0 °C	Stop speed reduction: 5.0 to 90.0 °C)
	2 V	Min. speed signal: 0 to 10 V

7.8 Circulation pump during storage tank charging

With the setting CO4 > F11 - 1, the circulation pump (DHW) continues operation according to the programmed time schedule even during storage tank charging. With the setting CO4 > F11 - 0, the circulation pump is switched off as soon as the storage tank charging pump is activated. The circulation pump starts to operate again according to the time schedule when the storage tank charging pump has been switched off again.

Functions	WE	Configuration
Operation of circulation pump (DHW) during storage tank charging	0	CO4 > F11

7.9 Priority position

In many district heating systems with primary DHW heating, the allotted amount of water cannot meet DHW heating and heating operation demands when they are required at the same time. As a result, the capacity required for DHW heating needs to be taken from the heating system when great heating loads occur; and this, until DHW demand has been concluded. Nevertheless, heating operation is not to be interrupted simply. Only the amount of energy required for DHW heating is to be deducted. This can be achieved by using the priority functions: reverse control and set-back operation.

7.9.1 Reverse control

In all systems with DHW heating and at least one heating circuit with a control valve, DHW heating can be given priority by applying reverse control. With the setting CO4 > F08 - 1, the temperature is monitored at sensor VFx.

In systems without sensor VFx in the DHW circuit (e.g. Anl 4.5, 11.0), the temperature is monitored directly at storage tank sensor 1. If system deviations still occur after the time set in 'Start' has elapsed, the set point of the heating circuit with the control valve is gradually re-

duced each minute until the flow temperature set point has reached 5 °C at the minimum. How strongly the controller responds is determined by the 'KP' (influence factor).

When 'Start' is set to 0, the priority operation is started regardless of the time and temperature in the system. The control valve of the corresponding heating circuit is closed.

The reverse control can be activated for each heating circuit separately in system Anl 4.5.

Functions	WE	Configuration
Priority (reverse)	0	CO4 > F08 - 1
	2 min	Start: 0 to 10 min
	1.0	KP (influence factor): 0.1 to 10.0
	HC2	Control circuit: HC1, HC2, HC1+HC2 (only system Anl 4.5)
Priority (set-back)	0	CO4 > F09 - 0

7.9.2 Set-back operation

In all systems with DHW heating and at least one heating circuit with a control valve, DHW heating can be given priority by applying set-back operation. With the setting CO4 > F09 - 1, the temperature is monitored at sensor VFx in the DHW circuit.

In systems without sensor VFx in the DHW circuit (e.g. Anl 4.5, 11.0), the temperature is monitored directly at storage tank sensor 1. If system deviations still occur after the time set in 'Start' has elapsed, the selected heating circuit with the control valve is set to reduced operation.

When 'Start' is set to 0, the priority operation is started in all heating circuits regardless of the time and temperature in the system.

The reverse control can be activated for each heating circuit separately in system Anl 4.5.

Functions	WE	Configuration
Priority (reverse)	0	CO4 > F08 - 0
Priority (set-back)	0	CO4 > F09 - 1
	2 min	Start: 0 to 10 min
	HC2	Control circuit: HC1, HC2, HC1+HC2 (only system Anl 4.5)

7.10 Forced charging of DHW storage tank

To provide the full network performance for room heating when the time-of-use of the heating circuits begins, any storage tanks are charged one hour before the time-of-use of the heating circuits starts. For the individual controller, this means that storage tank charging is activated when the water temperature in the storage tank falls below the adjusted deactivation value of $T = \text{'DHW temperature'} + \text{'Hysteresis'}$.

The forced charging of the storage tank does not take place when the DHW circuit is not used at the beginning of the time-of-use set for the heating circuit(s).



Note:

This function is not available when a storage tank thermostat is used.

7.11 Thermal disinfection of DHW storage tank

In all systems with DHW heating, a thermal disinfection is performed on a selected day of the week or daily.

- In systems with DHW storage tank, it is heated up, taking into account the 'Charging temperature boost' parameter (or 'Set point boost', depending on the system) to the adjusted 'Disinfection temperature'. Disinfection takes place within the adjusted time period ('Time').
- In systems with DHW heating in instantaneous heating system, the function remains active taking into account the 'Boost' parameter until the circulation pipe, measured at storage tank sensor 1, has reached the adjusted 'Disinfection temperature', provided disinfection has not been terminated prematurely at the end of the adjusted time period ('Time').

The 'Duration' determines how long the disinfection temperature must be maintained within the adjusted time period to rate the process successful. If the 'Duration' is set to a value other than 0, no intermediate heating operation takes place during thermal disinfection.

If the time period ('Time') is set to OFF, disinfection is controlled depending on the switching state of the binary input (terminals 03/12) to be performed daily or on the programmed day of the week: disinfection starts optionally with a break contact ('Active when BI' = OFF) or a make contact ('Active when BI' = ON). It stops at the latest when the switching state of the binary input next changes.

When the 'Disinfection temperature' has not been reached before the end of the thermal disinfection cycle, an "Err 3" error message is generated. This error message can also be gener-

ated prematurely if the remaining time until the disinfection temperature is reached is shorter than the adjusted 'Duration'. The error message is automatically reset when the disinfection temperature is properly reached during the following thermal disinfection cycle.

Thermal disinfection for preventing legionella infection causes:

- Excessively high return flow temperatures during the disinfection cycle (return flow temperature limitation suspended)
- Excessively high DHW temperatures after thermal disinfection has been concluded
- Possibly lime scale, which can have a negative effect on heat exchanger performance.



Note:

This function is not available when a storage tank thermostat is used.

Functions	WE	Configuration
Storage tank sensor 1	1	CO4 > F01 - 1
Thermal disinfection	0 Wednesday 00:00 - 04:00 70.0 °C 10.0 °C 0 min ON	CO4 > F14 - 1 Monday, Tuesday, ..., daily Time: Adjustable as required in steps of 15 minutes Disinfection temperature: 60.0 to 90.0 °C Boost: 0 to 50 °C Duration: 0 to 255 min Active when BI =: ON, OFF (start of disinfection with terminal 03/12 = ON, OFF; only applies when Start time = Stop time)

8 System-wide functions

8.1 Automatic summer/standard time switchover

The time is automatically changed on the last Sunday in March at 2.00 h and on the last Sunday in October at 3.00 h.

Functions	WE	Configuration
Summer time	1	CO5 > F08 - 1



Note:

The automatic summer/standard time switchover can also be programmed in the Time/date menu. Refer to section 2.4.

8.2 Frost protection

Frost protection measures are taken when the outdoor temperature falls below 'Limit'. The switching differential to cancel the frost protection measures is always 1 °C.

Restricted frost protection: frost protection measures are taken only when all heating circuits in the system are in stand-by mode. The circulation pumps are automatically switched on and their flow temperature set points are adjusted to 10 °C. The circulation pump in the DHW circuit is automatically switched on only when the stand-by mode has been adjusted at the rotary switch in all heating circuits. Nevertheless, the storage tank is always recharged to 10 °C if the storage tank temperature falls below 5 °C.

Frost protection with highest priority: the heating circuit circulation pumps are always switched on automatically. The flow temperature set points of all heating circuits currently in stand-by mode are set to +10 °C. In the DHW circuit, the circulation pump is always activated. If the storage tank temperature falls below +5 °C, the storage tank is recharged to +10 °C.

Functions	WE	Configuration
Frost protection	3.0 °C	CO5 > F09 - 0: Restricted frost protection CO5 > F09 - 1: Frost protection with highest priority Limit: -15.0 to 3.0 °C

! NOTICE

Frost protection operation of a pump, a heating circuit or the DHW circuit is only active when the ❄️ frost protection icon is displayed. In the stand-by mode (⊖) fixed set point control without outdoor temperature sensor does not include frost protection.

8.3 Forced pump operation

When the heating circuit pumps have not been activated for 24 hours, forced operation of the pumps is started between 12.02 h and 12.03 h. This is done to avoid that the pumps get stuck when they are not operated for long periods of time. In the DHW circuit, the circulation pump is operated between 12.04 h and 12.05 h, the other pumps between 12.05 h and 12.06 h.

8.4 Return flow temperature limitation

The temperature difference between the flow and return flow in a network indicates how well the energy is used: the greater the difference, the higher the efficiency. A return flow sensor is sufficient to evaluate the temperature difference when the flow temperatures are pre-defined. The return flow temperature can be limited either to a value depending on the outdoor temperature (variable) or to a fixed set point. When the return flow temperature measured at return flow sensor exceeds the limit, the flow temperature set point is reduced. When the temperature measured at return flow sensor $R\ddot{u}F$ exceeds the return flow temperature limit, the set point of the flow temperature (flow temperature of the heating system, charging temperature) is reduced. This causes the primary flow rate to be reduced and the return flow temperature to drop. In systems Anl 2.x and 4.1, the 'Max. return flow temperature' parameter (PA4 level) is used for limitation in the primary circuit during DHW heating if it is greater than the parameter valid for the primary circuit. The 'KP' (limiting factor) determines how strongly the controller responds when the limits are exceeded in either direction (PI algorithm).

If just the proportional component is to be implemented, set $CO5 > F16 - 1$. This allows the integral-action component in the return flow temperature limitation algorithm of all control circuits of the controller to be deactivated. The set point reading (flow temperature of the heating, charging temperature) blinks to indicate that a return flow limitation is active in the control circuit concerned.

**Note:**

When weather-compensated control with gradient characteristic is used, the return flow temperature is limited to a fixed value by equating the 'Base point for return flow temperature' and 'Max. return flow temperature' (PA1, 2 > P07 and P13) parameters.

Functions	WE	Configuration
Return flow sensor RüF1/2	1.0	CO1, 2, 4 > F03 - 1 KP (limiting factor): 0.1 to 10.0
Return flow temperature limitation with P algorithm*	0	CO5 > F16

* If the controller indicates CO5 > F00 - 1, any access to the return flow, flow rate and capacity settings is locked.

Parameters	WE	Parameters: value range
Return flow gradient	1.2	PA1, 2 > P11: 0.2 to 3.2
Return flow level	0.0 °C	PA1, 2 > P12: -30.0 to 30.0 °C
Base point for return flow temperature	65.0 °C	PA1, 2 > P13: 5.0 to 90.0 °C
Max. return flow temperature	65.0 °C	PA1, 2, 4 > P14: 5.0 to 90.0 °C

or

Parameters	WE	Parameters: value range
Return flow temperature, points 1 to 4	65.0 °C	PA1, 2 > P05: 5.0 to 90.0 °C

**NOTICE**

To ensure that the preset return flow temperature limit can be met, make sure that the heating characteristic is not adjusted to ascend too steeply, the speed of the circulation pumps is not set too high and the heating systems have been balanced.

8.5 Condensate accumulation control

Activate the **damping** function to start up condensate accumulation plants, in particular to avoid problematic excess temperatures. The controller response to set point deviations which cause the primary valve to open is attenuated. The controller response to set point deviations which cause the control valve to close remains unaffected.



Note:

The condensate accumulation control function can only be activated when the control circuit concerned is controlled using a PI algorithm (three-step control).

Functions	WE	Configuration
Control mode	1	CO1, 2, 4 > F12 - 1
Damping	0 2.0 °C	CO1, 2, 4 > F13 - 1 Max. system deviation: 2.0 to 10.0 °C

8.6 Three-step control

The flow temperature can be controlled using a PI algorithm. The valve reacts to pulses that the controller sends when a system deviation occurs. The length of the first pulse, in particular, depends on the extent of the system deviation and the selected 'KP (gain)' (the pulse length increases as KP increases). The pulse and pause lengths change continuously until the system deviation has been eliminated. The pause length between the single pulses is greatly influenced by the 'Tn (reset time)' (the pause length increases as TN increases). The 'TY (valve transit time)' specifies the time required by the valve to travel through the range of 0 to 100 %.

Functions	WE	Configuration
Control mode	1	CO1, 2, 4 > F12 - 1
	2.0	KP (gain): 0.1 to 50.0
	120 s	Tn (reset time): 1 to 999 s
	0 s	TV (derivative-action time): Do not change this value!
	45 s	TY (valve transit time): 5, 10, 15, ... , 240 s

8.7 On/off control

The flow temperature can be controlled, for example, by activating and deactivating a boiler. The controller switches on the boiler when the flow temperature falls below the set point by $T = 0.5 \times \text{'Hysteresis'}$. When the set point is exceeded by $T = 0.5 \times \text{'Hysteresis'}$, the boiler is switched off again. The greater the value you choose for 'Hysteresis', the less frequent switching on and off will be. By setting the 'Minimum ON time', an activated boiler remains switched on during this period regardless of the flow temperature fluctuations. Similarly, a deactivated boiler will remain switched off regardless of the flow temperature fluctuations if the 'Min. OFF time' has been specified.

Functions	WE	Configuration
Control mode	1	CO1, 2, 4 > F12 - 0
	5.0 °C	Hysteresis: 1.0 to 30.0 °C
	2 min	Min. ON time: 0 to 10 min
	2 min	Min. OFF time: 0 to 10 min

8.8 Continuous control in control circuit RK1

The flow temperature in the control circuit RK1 can be controlled using a PID algorithm. The valve in RK1 control circuit receives an analog 0 to 10 V signal from the controller. When a system deviation occurs, 'KP (gain)' immediately causes the 0 to 10 V signal to change (the greater the KP, the greater the change). The integral component becomes effective with time: 'Tn (reset time)' represents the time which elapses until the integral component has changed the output signal to the same extent as the immediate change performed by the proportional component (the greater Tn is, the slower the rate of change will be). Due to the derivative component, any change of the system deviation is incorporated into the output signal with a certain gain (the greater TV is, the stronger the change will be).

Functions	WE	Configuration
Control mode	1	CO1 > F12 - 1
	2.0	KP (gain): 0.1 to 50.0
	120 s	Tn (reset time): 1 to 999 s
	0 s	TV (derivative-action time): 0 to 999 s
	45 s	TY (valve transit time): 5, 10, 15, ... , 240 s

8.9 Releasing a control circuit/controller with binary input

The release of an individual control circuit or the controller with the binary input only becomes effective when the respective control circuit is in automatic mode (☺ icon). The released control circuit always works in automatic mode; the deactivated control circuit behaves as if it were transferred to stand-by mode. It remains active, however, in any case for processing an external demand. The control circuit can be released by the binary input when the binary input is either a make contact ('Active when BI' = OFF) or a break contact ('Active when BI' = ON).



Note:

- In systems with downstream heating circuit without a valve (Anl 2.x, 4.x), BI1 only influences the operation of this heating circuit.
- In system Anl 3.0, BI1 influences the operation of the entire controller (except for processing an external demand).

Functions	WE	Configuration
Release	0	CO1, 2 > F14 - 1
	ON	Active when BI = ON, OFF
Release controller	0	CO5 > F15 - 1
	ON	Active when BI = ON, OFF

8.10 Processing an external demand in control circuit RK1

The controller can process binary or analog requests for an externally required signal by a more complex secondary system. A binary request can only be processed when the inputs SF2 or RF2 are not assigned to a sensor.

- !** **NOTICE**
Overheating may occur in the heating circuits of the primary controller without control valve.

Excessive charging temperatures in DHW circuits without control valve controlled by the primary controller are excluded when the default settings of the controller are used: while storage tank charging is active, no flow temperature higher than the charging temperature is used by the primary controller. Nevertheless, if the **Priority for external demand** function is activated, the external demand is also processed during storage tank charging.

Functions	WE	Configuration
Priority for external demand	0	CO4 > F16 - 1

Binary demand processing

Regardless of the operating mode set for control circuit RK1, except for manual mode, the controller regulates the flow temperature when either the binary input (terminals 03/12) is a make contact ('Active when BI' = OFF) or a break contact ('Active when BI' = ON) in control circuit RK1 to at least the adjusted flow temperature adjusted in PA1 > P10 ('Minimum flow temperature set point HC for binary demand processing').

Functions	WE	Configuration
Demand processing	0	CO1 > F15 - 1
Demand processing, 0 to 10 V	0	CO1 > F16 - 0
Binary demand processing	0	CO1 > F17 - 1
	ON	Active when BI = ON, OFF

Parameters	WE	Parameters: value range
Minimum flow temperature set point HC for binary demand processing	40.0 °C	PA1 > P10: 5.0 to 150.0 °C

Demand processing, 0 to 10 V

Regardless of the operating mode set for RK1 control circuit (except for manual mode), the controller regulates the flow temperature at least to the temperature corresponding with the 0 to 10 V signal connected to terminals 11/12.

Functions	WE	Configuration
Demand processing	0	CO1 > F15 - 1
Demand processing, 0 to 10 V	0	CO1 > F16 - 1
	0 °C	Lower transmission range: 0 to 150 °C
	120 °C	Upper transmission range: 0 to 150 °C
Binary demand processing	0	CO1 > F17 - 0

Parameters	WE	Parameters: value range
Set point boost (pre-control circuit)	5.0 °C	PA1 > P15: 0.0 to 50.0 °C

8.11 Creep feed rate limitation with a binary input

It is possible to report to the controller when the creep feed rate has fallen below a certain level by using a limit switch of the primary valve connected to the terminals 04/12 or to input RüF1. Either the open ('Active when BI =' OFF) or closed binary input ('Active when BI =' ON) can be configured at terminals 04/12 to indicate that the creep feed rate has fallen below a certain level. Only the closed binary input at RüF1 can be processed. Shortly after the alert, the controller closes the valve RK1. As soon as the flow temperature falls below the set point by more than 5 °C after the valve has been closed, control operation is started again.

Functions	WE	Configuration
Creep feed rate limitation	0	CO5 > F12 - 1
	Binary ON	Switching mode: Binary (terminals 04/12), analog (RüF1)
		Active when BI =: ON, OFF

8.12 Locking manual level

To protect the heating system, this function can be used to lock the manual level. When this function has been activated, automatic mode is started when the rotary switch is set to in-automatic mode.

Functions	WE	Configuration
Lock manual level	0	CO5 > F21 - 1

8.13 Locking the rotary switch

When this function has been activated, the controller remains in automatic mode regardless of the rotary switch position. The rotary switch can no longer be used to adjust the controller settings. It is still possible to enter the key number.

Functions	WE	Configuration
Lock rotary switch	0	CO5 > F22 - 1

8.14 Feeder pump operation

In system An1 3.0, the feeder pump UP1 only starts to operate in the default setting when a flow temperature demand of a secondary controller exists. If CO5 > F14 - 1 is configured, this is also the case when the control circuit RK2 requires heat.

Functions	WE	Configuration
Operation UP1	0	CO5 > F14 - 1

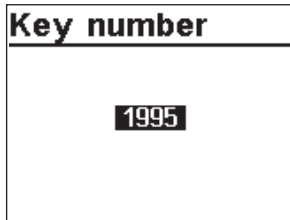
8.15 External demand for heat due to insufficient heat supply

An external heat source can be demanded using the 0 to 10 V output. The function block for a request for external demand CO1 > F18 - 1 is automatically set. The function block parameters allow the transmission range to be determined. When a system deviation in RK1 greater than 10 °C lasts longer than 30 minutes, a voltage signal corresponding to the actual demand is issued. At the same time, the RK1 valve is forced to close. After 30 minutes, the external demand for heat is canceled (0 V issued) and the control signal output in RK1 is enabled again.

Functions	WE	Configuration
Demand for external heat	0	CO1 > F20 - 1

8.16 Entering customized key number

To prevent the function and parameter settings being changed by unauthorized users, a customized key number can be added to the fixed service key number. You can set the customized key number to be between 0100 and 1900.




Turn the rotary switch to  (settings).

- ⌂ Enter key number 1995.
 - * Confirm key number.
 - ⌂ Enter valid key number.
 - * Confirm key number.
 - ⌂ Enter customized key number.
 - * Confirm customized key number.
- This number is the new key number.

Turn the rotary switch back to  (operating level).

9 Operational faults

A malfunction is indicated by the blinking  icon on the display. Press the rotary pushbutton to open the error level. As long as an error message is present, the error level is displayed, also when it has not been opened by pressing the rotary pushbutton.

In the error level, the error message is displayed as specified in the following list (section 9.1).

**Note:**

After the system code number has been changed or after restarting the controller, any error messages are suppressed for approx. three minutes.

9.1 Error list

Err 1 = Sensor failure (refer to section 9.2)

Err 2 = Reserved

Err 3 = Disinfection temperature not reached (refer to section 7.11)

Err 4 = Max. charging temperature reached (refer to section 7.2)

Err 5 = Reserved

Err 6 = Temperature monitor alarm (refer to section 9.3)

Err 7 = Unauthorized access occurred (refer to section 9.4)

All error messages, except for "Err 1" can be confirmed in the error level.

**Note:**

If the error messages that can be confirmed are included in the list shown, you can decide whether you want to confirm these error messages on exiting the error list.

9.2 Sensor failure

As described in the error list, sensor failures are indicated by displaying "Err 1" error message in the error level. For detailed information, exit the error level and view the different temperature values in the information level: each sensor icon displayed together with three dashes instead of the measured value indicates a defective sensor. The following list explains how the controller responds to the failure of the different sensors.

- **Outdoor sensor AF1:** When the outdoor sensor fails, the controller uses a flow temperature set point of 50 °C or the 'Max. flow temperature' when the max. flow temperature (PA1, 2 > P07) is lower than 50 °C.
- **Flow sensor(s) in heating circuit(s):** When the flow sensors in the heating circuits are defective, the associated valve moves to 30 % travel. DHW heating using such a sensor to measure the charging temperature is suspended.
- **Flow sensors in the DHW circuit with control valve:** When the flow sensor VF4 fails, the controller behaves as if VF4 has not been configured. As soon as the control of the charging temperature becomes impossible (VF2 defective), the associated valve is closed.
- **Return flow sensors RÜF1/2:** When the return flow sensor fails, the controller continues operation without return flow temperature limitation.
- **Room sensors RF1/2:** When the room sensor fails, the controller uses the settings for operation without room sensor. The controller, for example, switches from optimizing mode to reduced operation. The adaptation mode is canceled. The last determined heating characteristic remains unchanged.
- **Storage tank sensors SF1/2:** When one of the two sensors fails, the storage tank is no longer charged (exception: solar system).
- **Solar circuit sensors SF3, VF3:** When one of the two sensors fails, the storage tank in the solar circuit is no longer charged.

9.3 Temperature monitoring

When a system deviation greater than 10 °C persists in a control circuit for 30 minutes, an "Err 6" message (temperature monitoring alarm) is generated.

Functions	WE	Configuration
Monitoring	0	CO5 > F19 - 1

9.4 Error status register

The error status register is used to indicate controller or system errors. In modem operation when the controller dials the building control system (GLT) both when an error is detected and when it has been corrected (CO6 > F06 - 1), each change in the status of the error status register causes the controller to dial the control system. The error messages causing a change in state of the error status register highlighted in the following table (bold).

Error message	Meaning	Decimal value	
Err 1	Sensor failure	1	1
Err 2	–	2	
Err 3	Disinfection temperature not reached	4	
Err 4	Max. charging temperature reached	8	
Err 5	–	16	
Err 6	Temperature monitor alarm	32	32
Err 7	Unauthorized access occurred	64	
Err 8	–	128	
Err 9	–	256	
			Total
Example: Value of error status register when a sensor fails and a temperature monitoring alarm =			33

9.5 Alarm notification by text message

If a dial-up modem is connected to RS-232/modem communication module (refer to section 10.1), the controller can send a text message to a mobile phone when an error occurs. As soon as a fault has been registered in the error status register, the text message indicating a controller fault is sent. On the mobile phone, the following error message is displayed:

[Date]	[Time]
[Phone number of the controller]	
Controller malfunction	
TROVIS 5573 # [Controller ID of defective controller]	

The time stamp [Date], [Time] is added by the text messaging center, not by the controller. If an error message is transmitted to a controller equipped with a dial-up modem, the controller ID of the defective controller is sent, instead the controller ID of the “modem controller”. A detailed error message is not available.



Note:

The controller ID is indicated in the extended operating level under Info 2 as the serial number (see page 9).

When Modbus is activated and, at the same time, the dial-up in case of error is released, the connection with the building control station is established first, and then the text message is sent. If the first attempt to connect to the building control station fails, the controller tries again until the programmed number of redialing attempts has been exhausted.

In Germany, the access numbers (PA6 > P08) of the SMS service center are currently:

- **D1:** 0171 252 1002
- **Cellnet (UK):** 0044 786 098 0480 – routes to mobile networks D1, D2 and E-Plus

Add "0" to the number when dialing from a telephone extension. The mobile phone number (PA6 > P09) must be entered as follows: 49 xxx yyyyyy, where xxx stands for 160, 171 or any other valid dialing code and yyyyyy represents the specific mobile phone number.

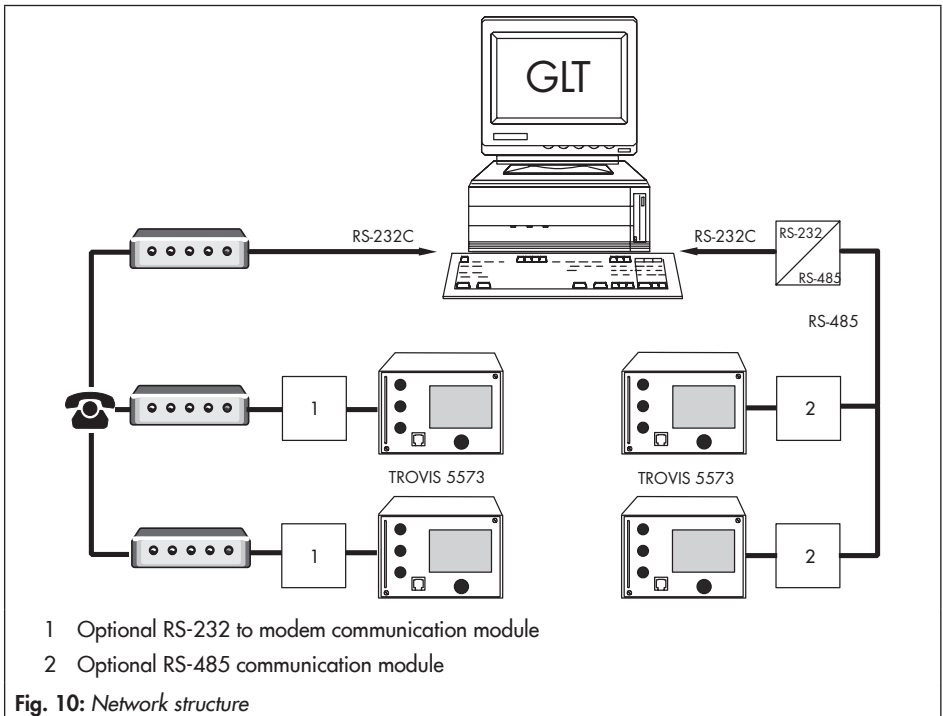
Functions	WE	Configuration
Text message	0	CO6 > F08 - 1
Modem	0	CO6 > F03 - 1
Automatic configuration	0	CO6 > F04 - 1
Parameters*	WE	Parameters: value range
Modem dialing pause (P)	5 min	PA6 > P04: 0 to 255 min
Modem timeout (T)	5 min	PA6 > P05: 1 to 255 min
Number of redialing attempts (C)	15	PA6 > P06: 1 to 255
Access number	–	PA6 > P08: Max. 22 characters; 1, 2, 3, ..., 9, 0; - for end of a string; P for pause
Mobile phone number	–	PA6 > P09: Max. 22 characters; 1, 2, 3, ..., 9, 0; - for end of a string; P for pause

* See section 10.3

10 Communication

Using the optional communication module, the TROVIS 5573 Heating Controller can communicate with a control system. In combination with a suitable software for process visualization and communication, a complete control system can be implemented. The following communication versions are possible:

- **Operation with a dial-up or GSM modem using the RS-232 to modem communication module:** basically, communication is only established automatically when errors occur in the system. The controller works autonomously. Nevertheless, the modem can dial up to the controller at any time to read data from it or otherwise influence it, if necessary. The controller works autonomously. Nevertheless, the controller can be dialed up over the modem at any time to read data from it or influence it, if necessary.
- **Operation at a two-wire bus using the RS-485 communication module**





Note:

The operating software can be updated over modem or data cable, provided Modbus has been activated (CO6 > F01 - 1).

10.1 RS-232 to modem communication module

When looking onto the controller front, the connection for the optional communication module is located on the left side of the controller housing (RJ-45 connector socket). A dial-up or GSM modem can be connected to the controller over the RS-232 to modem communication module (8812-2004). A dial-up modem is required if the controller is to be connected to the telecommunications network. In this case, the controller works autonomously and can initiate a call to the building control station when errors occur. Additionally, the building control station can dial up to the controller, read data from it, and send new data once the valid key number has been written to holding register no. 40145.



Note:

If a wrong key number has been written to holding register no. 40145 for the third consecutive time, the controller immediately interrupts the modem connection and generates an "Err 7" error message (Unauthorized access occurred). As a result, the call to the configured control system is triggered and a text message is sent. Bit D6 is deleted as soon as the error status register has been read by the control system and the connection has been terminated.

In special cases, the **lock dial-up function** can be selected to stop dial-up in case an error occurs. Using the **dial-up upon corrected error** function, the controller additionally informs the building control station when a previously signaled error no longer persists.

The **automatic modem configuration** function causes the dial-up modem connected to the controller to be configured automatically by the controller.

Functions	WE	Configuration
Modbus	1	CO6 > F01 - 1
16-bit address	0	CO6 > F02
Modem	0	CO6 > F03 - 1
Automatic configuration	0	CO6 > F04 - 1
Lock dial-up to building automation system	0	CO6 > F05

Functions	WE	Configuration
Dial-up also upon corrected error	0	CO6 > F06
Monitoring	0	CO6 > F07 - 0
Parameters*	WE	Parameters: value range
Modbus station address (8 bit)	255	PA6 > P01: 1 to 247 With CO6 > F02 - 1: 1 to 32000
Modem dialing pause (P)	5 min	PA6 > P04: 0 to 255 min
Modem timeout (T)	5 min	PA6 > P05: 1 to 255 min
Number of redialing attempts (C)	15	PA6 > P06: 1 to 255
Phone number of control station (TEL-nr)	–	PA6 > P08: Max. 22 characters; 1, 2, 3, ..., 9, 0; - for end of a string; P for pause

* See section 10.3

10.2 RS-485 communication module

When looking onto the controller front, the connection for the optional communication module is located on the left side of the controller housing (RJ-45 connector socket). A permanent bus connection (data cable) is required to operate the controller in combination with the RS-485 communication module (8812-2002). The bus line links the control units/devices in an open ring. At the end of the bus line, the data cable is connected to the control station using an RS-485/RS-232 converter (e.g. CoRe01, refer to Data Sheet T 5409).

The maximum range of the bus connection (cable length) is 1,200 meters. A maximum of 126 devices can be connected to such a segment. For greater distances or when more than 126 devices are to be connected to a line, repeaters (e.g. CoRe01) must be used to regenerate the signal level. A maximum of 246 devices with 8-bit addressing can be connected to a bus. If no communication is established between the control system and controller, the time of access by the control system can be restricted to dynamic process by the **monitoring** function. The controller resets the monitoring function, provided the valid Modbus requests are registered. However, in case of an error, all level bits are initialized back to "autonomous" after 30 minutes have elapsed.



NOTICE

Upon installation, observe the relevant standards and regulations governing lightning and overvoltage protection.

Functions	WE	Configuration
Modbus	1	CO6 > F01 - 1
16-bit address	0	CO6 > F02
Modem	0	CO6 > F03 - 0
Monitoring	0	CO6 > F07
Parameters*	WE	Parameters: value range
Modbus station address (8 bit)	255	PA6 > P01: 1 to 247 With CO6 > F02 - 1: 1 to 32000

* See section 10.3

10.3 Description of communication parameter settings

Modbus station address (8 bit)

This address is used to identify the controller in bus or modem mode. In a system, each controller needs to be assigned a unique address.

Modem dialing pause (P)

We recommend to keep dialing pause for approx. 3 to 5 minutes between dialing up to the control system/the text messaging center to avoid a permanent overloading of the telecommunications network. The Modem dialing pause defines the interval between two dialing attempts.

Modem timeout (T)

When the controller connects to the control station (GLT) but without addressing a Modbus data point, the connection is terminated after the time specified for 'Modem timeout' has elapsed. If the error status register has not been read during the GLT connection, the controller dials up the GLT again after the Modem dialing pause (P) has elapsed.

When sending a text message, the specified time is without meaning.

Number of redialing attempts (C)

The controller tries to dial up to the control system again, observing the Modem dialing pause, in case the GLT/text messaging center is busy or the function that triggered the call has not been reset by the controller. After the specified number of redialing attempts have failed, OFF is indicated in the controller's extended operating level. The dialing attempt counter is automatically reset at 12:00 h and the controller tries to connect again.

Resetting of triggered call = Reading the error status register (HR40150)

Phone number of control station

Enter the phone number of the control system modem including the dialing code, if necessary. Short pauses between the numbers can be entered using P (= 1 second); the end of the string is to be marked by '-'. The phone number may include a maximum of 22 characters.

Example: 069, 2 sec. pause, 4009, 1 sec. pause, 0:

0 6 9 P P 4 0 0 9 P 0 - (= 11 characters)



Note:

The connected modem is automatically configured when the function block CO6 > F04 - 1 is activated.

10.4 Meter bus

TROVIS 5573-100x version

The controller can be connected to an optional meter bus/Modbus gateway (1400-9867) (RJ-45 connector socket). The gateway can communicate with up to six M-Bus units according to EN 1434-3. Flow rate and/or capacity limitations in RK1 or RK2 control circuit is possible on the basis of the values measured at heat meter WMZ1 and WMZ2.

TROVIS 5573-110x version

The controller has an interface for three M-bus units according to EN 1434-3. Flow rate and/or capacity limitations in RK1 or RK2 control circuit is possible on the basis of the values measured at heat meter WMZ1 and WMZ2.



Note:

Details on the use of the different heat or water meters can be found in the technical documentation TV-SK 6311.

10.4.1 Activating the meter bus

To successfully transfer data from the heat meter, the heat meter must use a standardized protocol in accordance with EN 1434-3. It is not possible to make a general statement about which specific data can be accessed in each meter. For details on the different meter makes, refer to the technical documentation TV-SK 6311. All necessary function block parameters to set up the communication with heat meters are available in CO6 > F10. The meter bus address, model code and reading mode must be specified for the heat meters WMZ1 to WMZ6 (TROVIS 5573-100x) or WMZ1 to WMZ3 (TROVIS 5573-110x). A meter bus address must

be unique and correspond with the address set in the WMZ. If the preset meter bus address is unknown, a single heat meter connected to the controller can be assigned the meter bus address 254. The address 255 deactivates the communication with the respective WMZ. The model code to be set for the heat meter can be found in TV-SK 6311. In general, the default setting of 1434 can be used for most devices. The meters can be read either automatically every 24 hours (approx.), continuously or when the coils (= Modbus data points) assigned to the heat meters WMZ1 to WMZ6 are overwritten with the value 1 over the system bus interface. In extended operating level (see note on page 9), the respective measuring and limit values are displayed after confirming the plant scheme when the flow rate and/or capacity limitation is configured.



Note:

After restarting components (controller or gateway) by connecting them to the power supply, it may take up to two minutes before the controller allows access to CO6 > F10.

Functions	WE	Configuration
Meter bus	0	CO6 > F10 - 1
	255	WMZ1...x address*: 0 to 255
	1434	WMZ1...x model code*: 1434, CAL3, APAfO, SLS
	24h	WMZ1...x reading mode*: 24h, CONT, CoIL
* TROVIS 5573-100x: WMZ1...6; TROVIS 5573-110x: WMZ1...3		

10.4.2 Flow rate and/or capacity limitation with meter bus

The refreshing rate of the measured variable (flow rate and/or capacity) must be less than five seconds to ensure that the limitation can be performed properly. The technical documentation TV-SK 6311 lists the heat meters which comply with this criterion and, therefore can be used for limitation. Note that some makes, particularly battery-operated heat meters, respond with communication pauses when they are read too frequently. Others might run out of energy early. For details, refer to the above mentioned TV-SK document.

- A system with simultaneous room and DHW heating requires maximum energy.
- A system with a fully charged storage tank that is only used for room heating requires less energy.
- A system that suspends room heating during DHW heating requires less energy.

As a result, three different maximum limit values for RK1 can be adjusted in all systems with only one control valve and DHW heating on the secondary side:

- Max. limit value to determine the absolute upper limit
- Max. limit value for heating to operate room heating only
- Max. limit value for DHW to operate DHW heating only

If the 'Max. limit value for heating' parameter is set to 0.00 or 0.0, a four-point characteristic configured in CO1 > F11 - 1 allows the input of four flow rate or capacity limits in addition to the outdoor, flow and return flow temperature values.

In all systems without DHW heating or without heating circuit, only the max. limit value for the flow rate or capacity can be specified. In all systems with two control valves, separate maximum limits can be adjusted for the flow rate and capacity.



Note:

Since only the 'Max. limit value for heating' can be set to 0.00 or 0.0, a system with DHW heating must be configured even if a DHW heating is not used to allow the parameterization of a weather-compensated flow rate or capacity limitation. For example, system An1 2.0 with a deselected storage tank sensor would need to be configured in place of system An1 1.0.

Flow limitation

All settings required to set up flow rate limitation are available in CO6 > F11 or CO6 > F13 for systems with two control valves. One after the other, the system's max. limit value and – for systems with only one control valve and DHW heating on the secondary side – the max. limit value for heating and the max. limit value for DHW have to be set. The 'Limiting factor' determines how strongly the controller responds when the limit values are exceeded in either direction.



NOTICE

If the controller indicates CO5 > F00 - 1, any access to the return flow, flow rate and capacity settings is locked.

Functions	WE	Configuration
Meter bus	0	CO6 > F10 - 1
	255	WMZ1...x address*: 0 to 255
	1434	WMZ1...x model code*: 1434, CAL3, APAtO, SLS
	24h	WMZ1...x reading mode*: 24h, CONT, CoIL

Functions	WE	Configuration
Flow rate limitation in RK1	0	CO6 > F11 - 1
	1.5 m ³ /h	Max. limit: At, 0.01 to 650 m ³ /h
	1.5 m ³ /h	Max. limit for heating: At, 0.00 to 650 m ³ /h
	1.5 m ³ /h	Max. limit for DHW: 0.01 to 650 m ³ /h
Flow rate limitation in RK2	1.0	Limiting factor: 0.1 to 10.0
	0	CO6 > F13 - 1
	1.5	Max. limit: 0.01 to 650
	1.0	Limiting factor: 0.1 to 10.0
* TROVIS 5573-100x: WMZ1...6; TROVIS 5573-110x: WMZ1...3		

Capacity limitation

All necessary function block parameters to set up the capacity limitation are available in CO6 > F12 or CO6 > F14 for systems with two control valves. One after the other, the system's max. limit or max. limit for heating and the max. limit for DHW for systems with only one control valve and secondary DHW heating have to be set. The 'Limiting factor' determines how strongly the controller responds when the limit values are exceeded in either direction.

! **NOTICE**
If the controller indicates CO5 > F00 - 1, any access to the return flow, flow rate and capacity settings is locked.

Functions	WE	Configuration
Meter bus	0	CO6 > F10 - 1
	255	WMZ1...x address*: 0 to 255
	1434	WMZ1...x model code*: 1434, CAL3, APAtO, SLS
	24h	WMZ1...x reading mode*: 24h, CONT, Coil
Capacity limitation in RK1	0	CO6 > F12 - 1
	1.5 kW	Max. limit: At, 0.1 to 6500 kW
	1.5 kW	Max. limit for heating: At, 0.0 to 6500 kW
	1.5 kW	Max. limit for DHW: 0.1 to 6500 kW
Capacity limitation in RK2	1.0	Limiting factor: 0.1 to 10.0
	0	CO6 > F14 - 1
	1.5 kW	Max. limit: 0.01 to 6500 kW
	1.0	Limiting factor: 0.1 to 10.0
* TROVIS 5573-100x: WMZ1...6; TROVIS 5573-110x: WMZ1...3		

10.5 Memory module

The use of a memory module (order no. 1400-9379) is particularly useful to transfer all data from one TROVIS 5573 Controller to several other TROVIS 5573 Controllers.

Speichermodul

Einstellungen sichern

Einstellungen laden

The memory module is plugged into the RJ-45 connector socket located at the side of the controller. Once the module has been connected, 'Save settings' appears on the controller display. If the memory module already contains data from a different TROVIS 5573 Controller, turn the rotary pushbutton until 'Load settings' is displayed.

- Pressing the rotary pushbutton to confirm 'Save settings' causes the controller settings to be transferred to the memory module.
- Pressing the rotary pushbutton to confirm 'Load settings' causes the controller settings to be transferred from the memory module.

Speichermodul



During data transfer, the zeros and ones run across the display. When the transfer was successful, 'OK' is displayed. After that, the connection between controller and memory module can be terminated.

Speichermodul



Using TROVIS-VIEW (order no. 6661-1014), it is possible to configure all controller settings on a convenient user interface at the computer and to document these settings.

10.6 Data logging

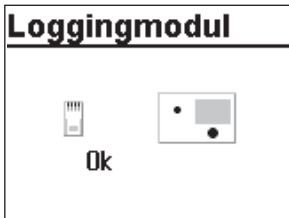
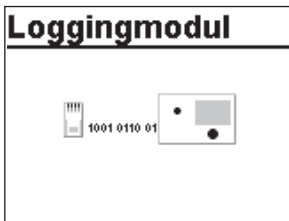
A data logging module (order no. 1400-9378) saves the following controller data every two minutes:

- Temperatures measured by the sensors
- Control signals [%]
- Switching states of the pump outputs
- Error status register and its archive
- Access to the controller settings



The data logging module is plugged into the RJ-45 connector socket located at the side of the controller. Once the module has been connected, 'Start data logging' and 'Copy logging data' appear on the controller display.

- Pressing the rotary pushbutton to confirm 'Start data logging' causes the controller settings to be transferred to the data logging module. The controller display returns to the reading indicated when the data logging module was connected.
- Pressing the rotary pushbutton to confirm 'Copy logging data' causes already logged data to be transferred from the memory controller to the data logging module. During data transfer, the zeros and ones run across the display. When the transfer was successful, 'OK' is displayed. After that, the connection between controller and data logging module can be terminated.



**Note:**

- The controller starts to write over the oldest data as soon the memory of the data logging module is full after approximately eight days. The current memory capacity of the data logging module can be read in the extended operating level under 'Logging memory' as the second value in the sequence (range of values: 0 to 6035). Directly after inserting the data logging module, data can be first read after the first scanning cycle has been performed.
- The internal memory of the controller is full after approx. 14 days. After that, the controller starts to write over the oldest data.

The data log viewer software allows the data to be viewed in graph format. The USB converter 3 (order no. 1400-9377) is required to connect the data logging module to a computer. The data log viewer software is supplied together with the USB converter 3.

11 Installation

The controller can be fitted with a standard base or with a high housing base.

Dimensions in mm (W x H x D)

- Controller with standard base: 144 x 98 x 54
- Controller with high base: 144 x 98 x 75

The controller consists of the housing with the electronics and the back panel with the terminals. It is suitable for panel, wall and top hat rail mounting (see Fig. 11).

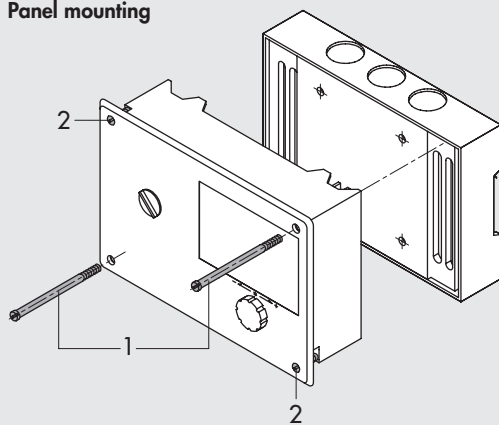
Panel mounting

1. Undo the two screws (1).
2. Pull apart the controller housing and the base.
3. Make panel cut-out with the dimensions 138 x 92 mm (W x H).
4. Push the controller housing through the panel cut-out.
5. Tighten the two screws (2) to clamp the controller housing against the control panel.
6. Perform electric wiring on the base as described in section 12.
7. Remount the controller housing.
8. Fasten the two screws (1).

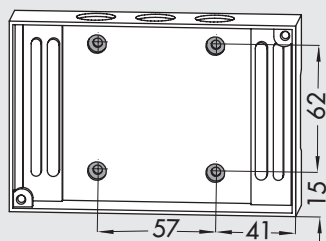
Wall mounting

1. Undo the two screws (1).
2. Pull apart the controller housing and the base.
3. If necessary, drill holes with the specified dimensions in the appropriate places. Fasten the back panel with four screws.
4. Perform electric wiring on the base as described in section 12.
5. Remount the controller housing.
6. Fasten the two screws (1).

Panel mounting



Wall mounting



Rail mounting

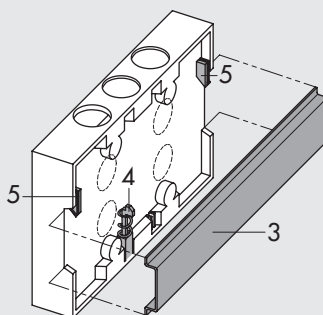


Fig. 11: Installation

Rail mounting

1. Fasten the spring-loaded hook (5) at the bottom of the top hat rail (3).
2. Slightly push the controller upwards and pull the upper hook (5) over the top hat rail. Undo the two screws (1).
3. Pull apart the controller housing and the base.
4. Perform electric wiring on the base as described in section 12.
5. Remount the controller housing.
6. Fasten the two screws (1).

12 Electrical connection



DANGER!

Risk of electric shock!

- For electrical installation, you are required to observe the relevant electrotechnical regulations of the country of use as well as the regulations of the local power suppliers. Make sure all electrical connections are installed by trained and experienced personnel.
- Before performing any work on the controller, disconnect it from the power supply.

Notes on electric wiring

- Install the 230 V power supply lines and the signal lines separately! To increase immunity, keep a minimum distance of 10 cm between the lines. Make sure the minimum distance is also kept when the lines are installed in a cabinet.
- The lines for digital signals (bus lines) and analog signals (sensor lines, analog outputs) must also be installed separately!
- In plants with a high electromagnetic noise level, we recommend using shielded cables for the analog signal lines. Ground the shield at one side, either at the control cabinet inlet or outlet, using the largest possible cross-section. Connect the central grounding point and the PE grounding conductor with a 10 mm² cable using the shortest route.
- Inductances in the control cabinet, e.g. contactor coils, are to be equipped with suitable interference suppressors (RC elements).
- Control cabinet elements with high field strength, e.g. transformers or frequency converters, must be shielded with separators providing a good ground connection.

Overvoltage protection

- If signal lines are installed outside buildings or over large distances, make sure appropriate surge or overvoltage protection measures are taken. Such measures are indispensable for bus lines.
- The shield of signal lines installed outside buildings must have current conducting capacity and must be grounded on both sides.
- Surge diverters must be installed at the control cabinet inlet.

Connecting the controller

Wall mounting

To connect the wiring, pull the controller out of its base. To connect the feeding cables, break through the holes in the marked locations at the top or bottom at the base housing and fit supplied grommets or suitable cable glands. Ensure that the cables are not subject to torsion or bending by taking suitable precautions before inserting the cable.

The controller is connected as illustrated in the following wiring diagrams.

Open the housing to connect the cables. To connect the feeding cables, make holes in the marked locations at the top, bottom or back of the base of the housing and fit suitable grommets or cable glands.

Connecting sensors

Cables with a minimum cross-section of $2 \times 0.5 \text{ mm}^2$ can be connected to the terminals at the base of the housing.

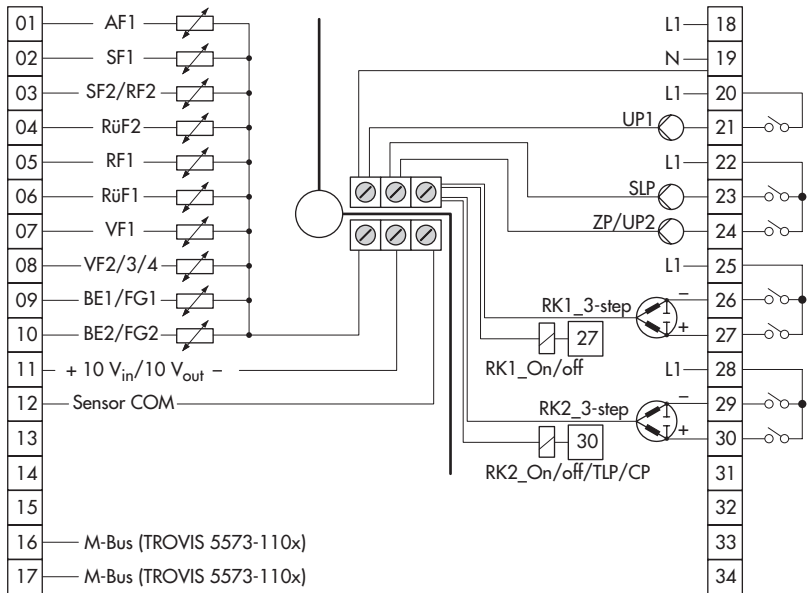
Connecting actuators

- 0 to 10 V control output: Use cables with a minimum cross-section of $2 \times 0.5 \text{ mm}^2$.
- Three-step or on/off outputs: Connect cables with at least 1.5 mm^2 suitable for damp locations to the terminals of the controller output. The direction of travel needs to be checked at start-up.

Connecting pumps

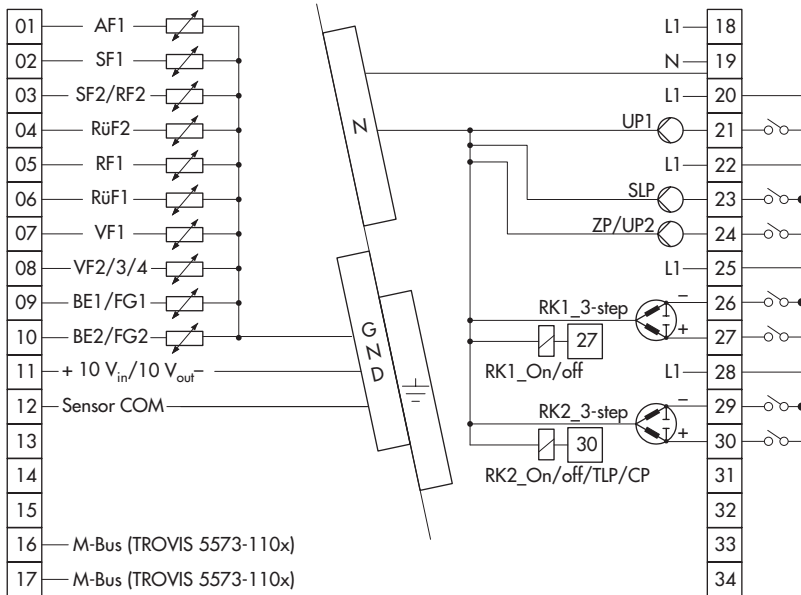
Connect all cables with at least 1.5 mm^2 to the terminals of the controller as illustrated in the wiring diagram.

! **NOTICE**
The electric actuators are not automatically supplied with a voltage by the controller. They can be connected over terminals 25 and 28 to an external voltage source. If this is not the case, connect a jumper from terminal 18 to terminals 25 and 28.



- | | | | |
|-----|---------------------|-----|------------------------------|
| AF | Outdoor sensor | CP | Solar circuit pump |
| BE | Binary input | RK | Control circuit |
| FG | Potentiometer | UP | Circulation pump (heating) |
| RF | Room sensor | SLP | Storage tank charging pump |
| RüF | Return flow sensor | TLP | Heat exchanger charging pump |
| SF | Storage tank sensor | ZP | Circulation pump (DHW) |
| VF | Flow sensor | | |

Fig. 12: Connection of TROVIS 5573 Controller with standard base

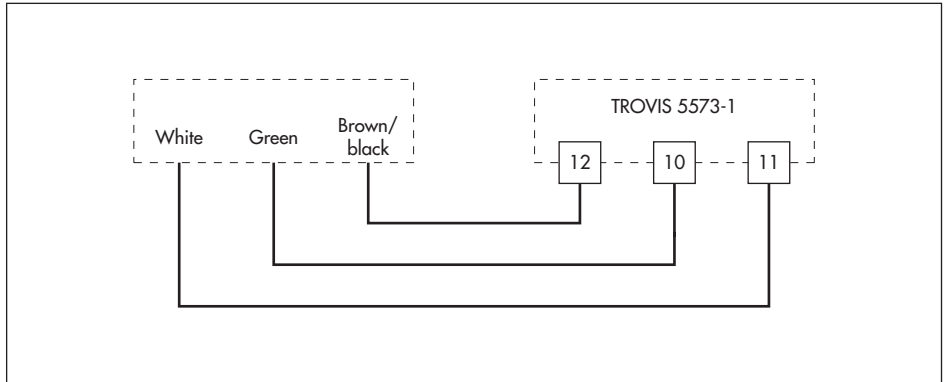


AF Outdoor sensor
 BE Binary input
 FG Potentiometer
 RF Room sensor
 RüF Return flow sensor
 SF Storage tank sensor
 VF Flow sensor

CP Solar circuit pump
 RK Control circuit
 UP Circulation pump (heating)
 SLP Storage tank charging pump
 TLP Heat exchanger charging pump
 ZP Circulation pump (DHW)

Fig. 13: Connection of TROVIS 5573 Controller with high base

Connection of flow rate sensor (order no. 1400-9246)



13 Appendix

13.1 Function block lists

CO1: RK1 · Heating circuit 1 (not system Anl 1.9)*

F	Function	WE	System	Comments Function block parameters: value range (default setting)
01	Room sensor	0	Not Anl 1.5, 1.6, 3.x	CO1 > F01 - 1: Room sensor RF1, temperature reading and FG1 input for Type 5257-5 Room Panel active
02	Outdoor sensor	0	1.5, 1.6	CO1 > F02 - 1: Outdoor sensor AF1, weather-compensated control active
		1	Not Anl 1.5, 1.6	
03	Return flow sensor	0	1.2	CO1 > F03 - 1: Return flow sensor RÜF1, limitation function active Function block parameters: KP (limiting factor): 0.1 to 10.0 (1.0)
		1	Not Anl 1.2	
04	Cooling control	0	All*	CO1 > F04 - 1: Cooling control, only with CO1 > F11 - 1 The cooling control function causes a reversal of the operating direction and a minimum limitation of the return flow temperature in RK1.
05	Underfloor heating	0	Not Anl 1.5, 1.6, 3.x	CO1 > F05 - 1: Underfloor heating/drying of jointless floors Function block parameters: Start temperature: 20.0 to 60.0 °C (25 °C) Temp. rise/day: 0.0 to 10.0 °C (5.0 °C) Maximum temperature: 25.0 to 60.0 °C (45.0 °C) Duration: 0 to 10 days (4 days) Temp. reduction/day: 0.0 to 10.0 °C (0.0 °C) Start condition: Stop, Start, Hold, Reduction
07	Optimization	0	Not Anl 1.5, 1.6, 3.x	CO1 > F07 - 1: Optimization of heating times (only with CO1 > F01 - 1 and CO1 > F02 - 1)
08	Adaptation	0	Not Anl 1.5, 1.6, 3.x	CO1 > F08 - 1: Heating characteristic adaptation (only with CO1 > F01 - 1, CO1 > F02 - 1 and CO1 > F11 - 0)
09	Flash adaptation	0	Not Anl 1.5, 1.6, 3.x	CO1 > F09 - 1: Flash adaptation of flow temperature (only with CO1 > F01 - 1) Function block parameters: Cycle time: 0 or 1 to 100 min (20 min) KP (gain): 0.0 to 25.0 (0.0)

F	Function	WE	System	Comments Function block parameters: value range (default setting)
11	Four-point characteristic	0	Not Anl 1.5, 1.6	CO1 > F11 - 1: Four-point characteristic (only with CO1 > F08 - 0) CO1 > F11 - 0: Gradient characteristic
12	Control mode (three-step)	1	All*	CO1 > F12 - 1: Three-step control Function block parameters: KP (gain): 0.1 to 50.0 (2.0) Tn (reset time): 1 to 999 s (120 s) TV (derivative-action time): 0 to 999 s (0 s) TY (valve transit time): 5, 10, 15, ..., 240 s (45 s) CO1 > F12 - 0: On/off control Function block parameters: Hysteresis: 1.0 to 30.0 °C (5.0 °C) Min. ON time: 0 to 10 min (2 min) Min. OFF time: 0 to 10 min (2 min)
13	Damping	0	All*	CO1 > F13 - 1: OPEN signal damping (only with CO1 > F12 - 1) Function block parameters: Max. system deviation: 2.0 to 10.0 °C (2.0 °C)
14	Release	0	All*	CO1 > F14 - 1: Release RK1 at BI1; FG1 has no function Function block parameters: Active when BI = ON, OFF (ON)
15	Demand processing	0	All*	CO1 > F15 - 1: Demand processing in RK1 Note: How the demand is processed depends on the configuration of CO1 > F16 and CO1 > F17.
16	Demand processing, 0 to 10 V	0	All*	CO1 > F16 - 1: Demand processing with 0 to 10 V signal at input terminals 11/12 (only with CO1 > F15 - 1 and CO1 > F17 - 1) Function block parameters: Lower transmission range: 0 to 150 °C (0 °C) Upper transmission range: 0 to 150 °C (120 °C)
17	Binary demand processing	0	3.x, 4.x, 10.0	CO1 > F17 - 1: Binary demand processing at input terminals 03/12 (only with CO1 > F15 - 1, CO1 > F16 - 1 and CO2 > F01 - 0 and CO4 > F02 - 0) Function block parameters: Active when BI = ON, OFF (ON)

F	Function	WE	System	Comments Function block parameters: value range (default setting)
18	External demand	0	All*	CO1 > F18 - 1: External demand 0 to 10 V The standardized signal output (terminals 11/12) is not available anymore as a control output. The maximum flow set point (with boost, if applicable) is demanded as a 0 to 10 V signal at the standardized signal output. Function block parameters: Lower transmission range: 0.0 to 130.0 °C (0.0 °C) Upper transmission range: 0.0 to 130.0 °C (120.0 °C) Boost: 0.0 to 30.0 °C (0.0 °C)
20	Demand for external heat	0	All	CO1 > F20 - 1: External demand for heat due to insufficient heat supply
21	Speed reduction of charging pump based on charging progress	0	16.x	CO1 > F21 - 1: Activation of speed reduction Function block parameters: Start speed reduction: 5 to 90 °C (40 °C) Stop speed reduction 5 to 90 °C (50 °C) Min. speed signal: 0 to 10 V (2 V)

F Function block number, WE Default setting, AnI System code number

CO2: RK2 · Heating circuit 2 (systems AnI 3.x, 4.x and 10.0, 16x)*

F	Function	WE	System	Comments Function block parameters: value range (default setting)
01	Room sensor	0	All*	CO2 > F01 - 1: Room sensor RF2, temperature reading and FG1 input for Type 5257-5 Room Panel active
03	Return flow sensor	0	10.x, 16.x	CO2 > F03 - 1: Return flow sensor RüF2; limitation function active Function block parameters: KP (limiting factor): 0.1 to 10.0 (1.0)
		1	3.0, 4.x	
04	Cooling control	0	All*	CO2 > F04 - 1: Cooling control, only with CO2 > F11 - 1 The cooling control function causes a reversal of the operating direction and a minimum limitation of the return flow temperature in RK1.

F	Function	WE	System	Comments Function block parameters: value range (default setting)
05	Underfloor heating	0	All*	CO2 > F05 - 1: Underfloor heating/drying of jointless floors Function block parameters: Start temperature: 20 to 60 °C (25 °C) Temp. rise/day: 0.0 to 10.0 °C (5.0 °C) Maximum temperature: 25.0 to 60.0 °C (45.0 °C) Duration: 0 to 10 days (4 days) Temp. reduction/day: 0.0 to 10.0 °C (0.0 °C) Start condition: Stop, Start, Hold, Reduction
07	Optimization	0	All*	CO2 > F07 - 1: Optimization of heating times (only with CO1 > F01 - 1 and CO1 > F02 - 1)
08	Adaptation	0	All*	CO2 > F08 - 1: Heating characteristic adaptation (only with CO1 > F01 - 1, CO1 > F02 - 1 and CO1 > F11 - 0)
09	Flash adaptation	0	All*	CO2 > F09 - 1: Flash adaptation of flow temperature (only with CO1 > F01 - 1) Function block parameters: Cycle time: 0 or 1 to 100 min (20 min) KP (gain): 0.0 to 25.0 (0.0)
11	Four-point characteristic	0	All*	CO2 > F11 - 1: Four-point characteristic (only with CO1 > F08 - 0) CO2 > F11 - 0: Gradient characteristic
12	Control mode (three-step)	1	All*	CO2 > F12 - 1: Three-step control Function block parameters: KP (gain): 0.1 to 50.0 (2.0) Tn (reset time): 1 to 999 s (120 s) TV (derivative-action time): 0 to 999 s (0 s) TY (valve transit time): 5, 10, 15, ..., 240 s (45 s)
				CO2 > F12 - 0: On/off control Function block parameters: Hysteresis: 1.0 to 30.0 °C (5.0 °C) Min. ON time: 0 to 10 min (2 min) Min. OFF time: 0 to 10 min (2 min)
13	Damping	0	All*	CO2 > F13 - 1: OPEN signal damping (only with CO1 > F12 - 1) Function block parameters: Max. system deviation: 2.0 to 10.0 °C (2.0 °C)

F	Function	WE	System	Comments Function block parameters: value range (default setting)
14	Release	0	All*	CO2 > F14 - 1: Release RK2 at BI2; FG2 has no function Function block parameters: Active when BI = ON, OFF (ON)

F Function block number, WE Default setting, An1 System code number

CO4: DHW circuit (systems Anl 1.1–1.3, 1.5, 1.6, 1.9, 2.x, 4.1, 4.5, 11.x)*

F	Function	WE	System	Comments Function block parameters: value range (default setting)
01	Storage tank sensor 1	1	1.1–1.3, 1.5, 1.6, 2.x, 4.1, 4.5, 11.0, 11.2	CO4 > F01 - 1: Storage tank sensor SF1 CO4 > F01 - 0: Storage tank thermostat (only with CO4 > F02 - 0; not system Anl 11.0)
		0	1.9, 11.9	
02	Storage tank sensor 2	0	1.1, 1.3, 1.5, 2.0, 2.1, 2.3, 4.1, 4.5, 11.0, 11.1	CO4 > F02 - 1: Storage tank sensor SF2 (only with CO4 > F01 - 1; not systems Anl 1.3, 1.9, 2.3, 11.0 and 11.9)
		1	1.2, 1.6, 2.2, 11.2	
03	Return flow sensor RüF2	0	1.9, 11.x	CO4 > F03 - 1: Return flow sensor RüF4, limitation function active Function block parameter: KP (limiting factor): 0.1 to 10.0 (1.0)
04	Flow rate sensor	0	1.9, 11.9	CO4 > F04 - 1: Flow rate sensor at BI2 Function block parameter: Select: Analog/binary (analog)* * Analog = Flow rate sensor (1400-9246) Binary = Flow switch at terminals 10/12
05	Flow sensor	0	1.1, 1.2, 1.6, 2.2	CO4 > F05 - 1: Flow sensor VF4 (to measure storage tank charging temperature)
06	Parallel pump operation	0	2.1–2.3, 4.1, 4.5	CO4 > F06 - 1: Parallel pump operation Function block parameters: Stop: 0 to 10 min (10 min) Temperature limit: 20.0 to 90.0 °C (40.0 °C) CO4: F06 - 0 > UP1 switched off during DHW heating
07	Intermediate heating	1	2.x, 4.1, 4.5	CO4 > F07 - 1: after 20 minutes of DHW heating, heating operation in UP1 circuit reactivated for 10 minutes CO4 > F07 - 0: storage tank charging is given unlimited priority concerning UP1 circuit

F	Function	WE	System	Comments Function block parameters: value range (default setting)
08	Priority (reverse)	0	1.1–1.3, 4.1, 4.5, 11.x	CO4 > F08 - 1: Priority by reverse control (only with CO4 > F09 - 0) Function block parameters: Start: 0 to 10 min (2 min) KP (influence factor): 0.1 to 10.0 (1.0) only system Anl 4.5: Control circuit: HC1, HC2, HC1+HC2 (HC2)
09	Priority (set-back)	0	1.1–1.3, 4.1, 4.5, 11.x	CO4 > F09 - 1: Priority through set-back operation (only when CO4 > F08 - 0) Function block parameters: Start: 0 to 10 min (2 min) Control circuit: HC1, HC2, HC1+HC2 (only system Anl 4.5)
10	Circulation pump (DHW) integrated into heat exchanger	0	1.1–1.3, 1.5, 1.6, 2.x, 11.1, 11.2	CO4 > F10 - 1: Control of DHW circuit active while circulation pump (ZP) is running
		1	11.6	
11	Operation of circulation pump (DHW) during storage tank charging	0	1.1–1.3, 1.5, 1.6, 2.x, 11.1, 11.2	CO4 > F11 - 1: Circulation pump (ZP) runs according to time schedule during storage tank charging CO4 > F11 - 0: Circulation pump (ZP) switched off during storage tank charging
12	Control mode	1	1.9, 11.x	CO4 > F12 - 1: Three-step control Function block parameters: KP (gain): 0.1 to 50.0 (2.0) Tn (reset time): 1 to 999 s (120 s) TV (derivative-action time): 0 to 999 s (0 s) TY (valve transit time): 5, 10, 15, ..., 240 s (45 s)
				CO4 > F12 - 0: On/off control Function block parameters: Hysteresis: 1.0 to 30.0 °C (5.0 °C) Min. ON time: 0 to 10 min (2 min) Min. OFF time: 0 to 10 min (2 min)
13	Damping	0	All*	CO2 > F13 - 1: OPEN signal damping (only with CO1 > F12 - 1) Function block parameters: Max. system deviation: 2.0 to 10.0 °C (2.0 °C)


F	Function	WE	System	Comments Function block parameters: value range (default setting)
14	Thermal disinfection	0	All*	CO4 > F14 - 1: Thermal disinfection (only with CO4 > F01 - 1) Function block parameters > Day of week: Monday, Tuesday, ..., daily (Wednesday) Time: Adjustable as required (00:00 – 04:00) Disinfection temperature: 60.0 to 90.0 °C (70.0 °C) Duration: 0 to 255 min (0 min) Active when BI = ON, OFF (ON)
15	SLP depending on return flow temperature	0	1.5, 1.6, 2.0, 2.1, 2.3, 4.1, 11.1, 11.2	CO4 > F15 - 1: storage tank charging pump not ON unless return flow hot (only with CO1 > F03 - 1 for systems Anl 1.5, 1.6, 2.0, 2.1, 2.3, 4.1; only with CO4 > F03 - 1 for systems Anl 11.1 and 11.2)
16	Priority for external demand	0	1.5, 1.6, 2.x, 4.1	CO4 > F16 - 1: Priority for external demand Note: a high external demand causes excessive charging temperatures in DHW circuits without control valve
19	Switchover	0	1.1–1.3, 1.5, 1.6, 2.x, 4.1, 4.5, 11.1, 11.2	CO4 > F19 - 1: Switchover SF1, SF2 according to a time schedule. SF1 applies for day mode and SF2 for night mode (only with CO4 > F02 - 1)
20	Return flow control	0	11.1	CO4 > F20 - 1: DHW circuit additionally controlled by a globe valve
21	Speed reduction of charging pump based on charging progress	0	1.1–1.3, 1.5, 1.6, 2.x, 4.1, 11.1, 11.2	CO4 > F21 - 1: Activation of speed reduction and storage tank sensor SF2 Function block parameters: Start speed reduction: 5.0 to 90.0 °C (40.0 °C) Stop speed reduction: 5.0 to 90.0 °C (50.0 °C) Min. speed signal: 0 to 10 V (2 V)

F Function block number, WE Default setting, Anl System code number

CO5: System-wide functions (all systems)

If the controller indicates CO5 > F00 - 1, any access to the return flow, flow rate and capacity settings is locked.

F	Function	WE	System	Comments Function block parameters: value range (default setting)
01	Sensor type	1	All*	Independent of the function block setting Pt 1000
02				
03				
04	Summer mode	0	Not Anl 1.5, 1.6, 1.9, 3.5	CO5 > F04 - 1: Summer mode Function block parameters: Time: Adjustable as required (01.06. - 30.09.) No. days until activation: 1 to 3 (2) No. days until deactivation: 1 to 3 (1) Limit: 0.0 to 30.0 °C (18.0 °C)
05	Delayed outdoor temperature adaptation (decreasing)	0	Not Anl 1.9	CO5 > F05 - 1: Delayed outdoor temperature adaptation as the temperature falls Function block parameters: Delay/h: 1.0 to 6.0 °C (3.0 °C)
06	Delayed outdoor temperature adaptation (increasing)	0	Not system Anl 1.9	CO5 > F06 - 1: Delayed outdoor temperature adaptation as the temperature rises Function block parameters: Delay/h: 1.0 to 6.0 °C (3.0 °C)
07	Error indication	0	Not Anl 4.1, 4.5, 11.1, 11.2, 11.3, 11.6, 16.1, 16.6	CO5 > F07 - 1: Terminal for error indication (see table in system schematics) Function block parameters: Relay contact: NO contact, NC contact (NO contact)
08	Summer time	0	All	CO5 > F08 - 1: Summer/standard time switchover
09	Frost protection	1	Not systems Anl 1.5, 1.6, 1.9, 3.5	CO5 > F09 - 1: Highest priority for frost protection Function block parameters: Limit: -15.0 to 3.0 °C (3.0 °C)
		0	1.5, 1.6, 1.9, 3.5	CO5 > F09 - 0: Restricted frost protection Function block parameters: Limit: -15.0 to 3.0 °C (3.0 °C)

F	Function	WE	System	Comments Function block parameters: value range (default setting)
12	Creep feed rate limitation	0	Not Anl 1.9	CO5 > F12 - 1: Creep feed rate limitation Function block parameters: Switching mode: Binary, analog (binary) Active when BI = ON, OFF (ON)
14	Operation UP1	0	All	CO5 > F14 - 1: Feeder pump UP1 operation to cover own demand Note: the feeder pump UP1 also starts to operate to cover the demand of RK2.
15	Release	0	All	CO5 > F15 - 1: Release controller at BI1 Function block parameters: Active when BI = ON, OFF (ON)
16	Return flow temperature limitation (proportional controller)	0	All	CO5 > F16 - 1: Return flow temperature limitation with P algorithm
19	Monitoring	0	All	CO5 > F19 - 1: Temperature monitoring
20	Sensor calibration	1	All	CO5 > F20 - 1: Set all sensor calibration values CO5 > F20 - 0: Delete all sensor calibration values
21	Lock manual level	0	All	CO5 > F21 - 1: Lock rotary switch In  switch position, the controller runs in automatic mode
22	Lock rotary switch	0	All	CO5 > F22 - 1: Lock rotary switch Key number input is still possible.
23	0 to 10 V signal for outdoor temperature	0	All	CO5 > F23 - 1: Outdoor temperature received or sent as 0 to 10 V signal (terminals 11/12) Function block parameters: Direction: Input, Output (Input) Lower transmission range: -30.0 to 100.0 °C (-20.0 °C) Upper transmission range: -30.0 to 100.0 °C (50.0 °C)

F Function block number, WE Default setting, Anl System code number

CO6 > Modbus (all systems)

F	Function	WE	System	Comments Function block parameters: value range (default setting)
01	Modbus	1	All	CO6 > F01 - 1: Modbus active
02	16-bit address	0	All	CO6 > F02 - 1: Modbus 16-bit addressing (only with CO6 > F01 - 1) CO6 > F02 - 0: Modbus 8-bit addressing
03	Modem	0	All	CO6 > F03 - 1: Modem function (only with CO6 > F01 - 1 and CO6 > F08 - 1)
04	Automatic configuration	0	All	CO6 > F04 - 1: Automatic modem configuration (only with CO6 > F03 - 1 and CO6 > F08 - 1)
05	Lock dial-up to building automation system	0	All	CO6 > F05 - 1: Lock dial-up to building automation system (only with CO6 > F03 - 1)
06	Dial-up also upon corrected error	0	All	CO6 > F06 - 1: Dial-up to building automation system also to indicate that an error has been corrected (only when CO6 > F03 - 1)
07	Monitoring	0	All	CO6 > F07 - 1: Control system monitoring > Resets all level bits to "autonomous" when there is no communication(only with CO6 > F01 - 1)
08	Text message	0	All	CO6 > F08 - 1: Text message function active
10	Meter bus (TROVIS 5573-100x only with optional Modbus/meter bus gateway)	0	All	CO6 > F10 - 1: Meter bus active Function block parameters: WMZ1...x address*/0 to 255 (255) WMZ1...x model code*/1434, CAL3, APAIO, SLS (1434) WMZ1...x reading mode*/24h, CONT, Coil (24 h) * TROVIS 5573-100x: WMZ1...6; TROVIS 5573-110x: WMZ1...3
11	Flow rate limitation in RK1	0	Not Anl 1.9	CO6 > F11 - 1: Flow rate limitation (only with CO6 > F10 - 1 and when WMZ1 is activated) Function block parameters: Max. limit/At, 0.01 to 650 m ³ /h (1.5 m ³ /h) Max. limit for heating*/At, 0.00 to 650 m ³ /h (1.5 m ³ /h) Max. limit for DHW*/0.01 to 650 m ³ /h (1.5 m ³ /h) Limiting factor/0.1 to 10 (1)
12	Capacity limitation in RK1	0	Not Anl 1.9	CO6 > F12 - 1: Capacity limitation (only with CO6 > F10 - 1 and when WMZ1 is activated) Function block parameters: Max. limit/At, 0.1 to 6500 kW (1.5 kW) Max. limit for heating*/At, 0.0 to 6500 kW (1.5 kW) Max. limit for DHW*/0.1 to 6500 kW (1.5 kW) Limiting factor/0.1 to 10 (1)

F	Function	WE	System	Comments Function block parameters: value range (default setting)
13	Flow rate limitation in RK2	0	Anl 3.0, 4.x, 10.0, 11.x	CO6 > F13 - 1: Flow rate limitation (only with CO6 > F10 - 1 and when WMZ2 is activated) Function block parameters: Max. limit/0.01 to 650 m ³ /h (1.5 m ³ /h) Limiting factor/0.1 to 10 (1)
14	Capacity limitation in RK2	0	Anl 3.0, 4.x, 10.0, 11.x	CO6 > F14 - 1: Capacity limitation (only with CO6 > F10 - 1 and when WMZ2 is activated) Function block parameters: Max. limit/0.1 to 6500 kW (1.5 kW) Limiting factor/0.1 to 10 (1)
				* Not systems Anl 1.0, 1.5–1.9, 3.0, 3.5, 4.0, 10.0, 11.x

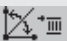
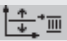

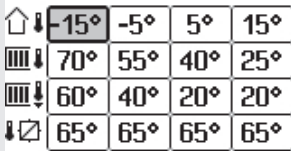
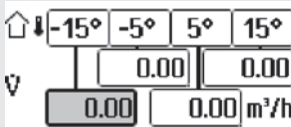

F Function block number, WE Default setting, Anl System code number








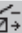





CO8 > Initialization of BI1 and BI2 (all systems)

F	Function	WE	System	Comments Function block parameters: value range (default setting)
01	Analysis of BI1	0	All	CO8 > F01 - 1: Analysis active Function block parameters: Error message when BI = 0, BI = 1, none (1)
02	Analysis of BI2	0	All	CO8 > F02 - 1: Analysis active Function block parameters: Error message when BI = 0, BI = 1, none (1)


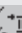

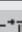
13.2 Parameter lists

















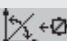
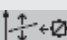


PA1: Heating circuit HC1

P	Display reading	Parameter: Value range (default setting)
01	P01  1.0	Flow gradient: 0.2 to 3.2 (1.8) 0.2 to 1.0 (1.0) with CO1, 2 > F05 - 1
02	P02  0.0°C	Level (parallel shift): -30.0 to 30.0 °C (0.0 °C)
03	P03 50.0°C	Flow set point (day) (only with CO1 > F02 - 0 and CO1 > F09 - 1): -5.0 to 150.0 °C (50.0 °C)
04	P04 30.0°C	Flow set point (night) (only with CO1 > F02 - 0 and CO1 > F09 - 1): -5.0 to 150.0 °C (30.0 °C)
05	P05  	Four-point characteristic Outdoor temperature: -50.0 to 50.0 °C (-15.0 °C, -5.0 °C, 5.0 °C, 15.0 °C) with CO1 > F04 -1: (5 °C, 15 °C, 25 °C, 30 °C) Flow temperature: 5.0 to 130.0 °C (70.0 °C, 55.0 °C, 40.0 °C, 25.0 °C) with CO1 > F04 -1: (20 °C, 15 °C, 10 °C, 5 °C) Reduced flow temperature: -5.0 to 150.0 °C (60.0 °C, 40.0 °C, 20.0 °C, 20.0 °C) with CO1 > F04 -1: (30 °C, 25 °C, 20 °C, 15 °C) Return flow temperature: 5.0 to 90.0 °C (65.0 °C, 65.0 °C, 65.0 °C, 65.0 °C)
		Flow rate: 0.00 to 650 m³/h (0.00 m³/h, 0.00 m³/h, 0.00 m³/h, 0.00 m³/h)
		Capacity: 0.0 to 6500 kW (0.0 kW, 0.0 kW, 0.0 kW, 0.0 kW)







P	Display reading	Parameter: Value range (default setting)
06	P06   20.0°C	Min. flow temperature: -5.0 to 150.0 °C (20.0 °C)
07	P07   50.0°C	Max. flow temperature: -5.0 to 150.0 °C (90.0 °C) -5.0 to 50.0 °C (50.0 °C) with CO1 > F05 - 1
09	P09   -15.0°C	Outdoor temperature for continuous day mode: -50.0 to 5.0 °C (-15 °C)
10	P10   40.0°C	Minimum flow temperature set point HC for binary demand processing: 5.0 to 150.0 °C (40.0 °C)
11	P11  1.2	Return flow gradient: 0.2 to 3.2 (1.2)
12	P12  0.0°C	Return flow level: -30.0 to 30.0 °C (0.0 °C)
13	P13  65.0°C	Base point for return flow temperature: 5.0 to 90.0 °C (65.0 °C)
14	P14  65.0°C	Max. return flow temperature: 5.0 to 90.0 °C (65.0 °C)
15	P15  5.0°C	Set point boost (pre-control circuit): 0.0 to 50.0 °C (5.0 °C)

PA2: Heating circuit HC2



P	Display reading	Parameter: Value range (default setting)
01	P01   1.0	Flow gradient: 0.2 to 3.2 (1.8) 0.2 to 1.0 (1.0) with CO1, 2 > F05 - 1
02	P02   0.0°C	Level (parallel shift): -30.0 to 30.0 °C (0.0 °C)
03	P03 50.0°C	Flow set point (day) (only with CO1 > F02 - 0 and CO1 > F09 - 1): -5.0 to 150.0 °C (50.0 °C)

P	Display reading	Parameter: Value range (default setting)																				
04	P04 30.0°C	Flow set point (night) (only with CO1 > F02 - 0 and CO1 > F09 - 1): -5.0 to 150.0 °C (30.0 °C)																				
05	P05  <table border="1" data-bbox="106 391 397 542"> <tr> <td></td> <td>15°</td> <td>-5°</td> <td>5°</td> <td>15°</td> </tr> <tr> <td></td> <td>70°</td> <td>55°</td> <td>40°</td> <td>25°</td> </tr> <tr> <td></td> <td>60°</td> <td>40°</td> <td>20°</td> <td>20°</td> </tr> <tr> <td></td> <td>65°</td> <td>65°</td> <td>65°</td> <td>65°</td> </tr> </table>		15°	-5°	5°	15°		70°	55°	40°	25°		60°	40°	20°	20°		65°	65°	65°	65°	Four-point characteristic Outdoor temperature: -50.0 to 50.0 °C (-15.0 °C, -5.0 °C, 5.0 °C, 15.0 °C) with CO2 > F04 -1: (5 °C, 15 °C, 25 °C, 30 °C) Flow temperature: -5.0 to 150.0 °C (70.0 °C, 55.0 °C, 40.0 °C, 25.0 °C) with CO2 > F04 -1: (20 °C, 15 °C, 10 °C, 5 °C) Reduced flow temperature: -5.0 to 150.0 °C (60.0 °C, 40.0 °C, 20.0 °C, 20.0 °C) with CO2 > F04 -1: (30 °C, 25 °C, 20 °C, 15 °C) Return flow temperature: 5.0 to 90.0 °C (65.0 °C, 65.0 °C, 65.0 °C, 65.0 °C)
	15°	-5°	5°	15°																		
	70°	55°	40°	25°																		
	60°	40°	20°	20°																		
	65°	65°	65°	65°																		
06	P06  20.0°C	Min. flow temperature: -5.0 to 150.0 °C (20.0 °C)																				
07	P07  50.0°C	Max. flow temperature: -5.0 to 150.0 °C (90.0 °C) -5.0 to 50.0 °C (50.0 °C) with CO1 > F05 - 1																				
09	P09  -15.0°C	Outdoor temperature for continuous day mode: -50.0 to 5.0 °C (-15 °C)																				
11	P11  1.2	Return flow gradient: 0.2 to 3.2 (1.2)																				
12	P12  0.0°C	Return flow level: -30.0 to 30.0 °C (0.0 °C)																				
13	P13  65.0°C	Base point for return flow temperature: 5.0 to 90.0 °C (65.0 °C)																				
14	P14  65.0°C	Max. return flow temperature: 5.0 to 90.0 °C (65.0 °C)																				








PA4: Domestic hot water heating (DHW)

P	Display reading	Parameter: Value range (default setting)
01	P01  40.0°C	Min. adjustable DHW set point: 5.0 to 90.0 °C (40.0 °C)
02	P02  60.0°C	Max. adjustable DHW set point: 5.0 to 90.0 °C (90.0 °C)
03	P03  5.0°C	Hysteresis: 1.0 to 30.0 °C (5.0 °C)
04	P04  0.0°C	Charging temperature boost: 0.0 to 50.0 °C (10.0 °C)
05	P05 80.0°C	Max. charging temperature (only with CO4 > F05 - 1): 20.0 to 150.0 °C (80.0 °C)
06	P06 1.0	Lag time for storage tank charging pump = Valve transit time x P06: 0.0 to 10.0 (1.0)
07	P07 65.0°C	Max. return flow temperature: 20.0 to 90.0 °C (65.0 °C)
10	P10  10.0°C	Solar circuit pump ON: 1.0 to 30.0 °C (10.0 °C)
11	P11  3.0°C	Solar circuit pump OFF: 0.0 to 30.0 °C (3.0 °C)
12	P12 88.0°C	Max. storage tank temperature: 20.0 to 90.0 °C (80.0 °C)

PA5: System-wide parameters

P	Display reading	Parameter: Value range (default setting)
01	P01  60.0°C	Start temperature for boiler pump (system An1 16.x only) 20.0 to 90.0 °C (60.0 °C)
02	P02  5.0°C	Boiler pump hysteresis (system An1 16.x only) 0.0 to 30.0 °C (5.0 °C)


PA6: Modbus

P	Display reading	Parameter: Value range (default setting)
01	 1	Modbus station address (8 bit): 1 to 246 (255) 1 to 3200 (255) with CO6 > F02 - 1
03	255	Modem init. time: 1 to 255 min (1 min)
04	 5	Modem dialing pause (P): 0 to 255 min (5 min)
05	 5	Modem timeout (T): 1 to 255 min (5 min)
06	 15	Number of redialing attempts: 1 to 255 (15)
07	 0	Phone number of control station: Max. 22 characters; 1, 2, 3, ..., 9, 0 - for end of a string; P for pause
08	 0	Access number: Max. 22 characters; 1, 2, 3, ..., 9, 0 - for end of a string; P for pause
09	 0	Mobile phone number: Max. 22 characters; 1, 2, 3, ..., 9, 0 - for end of a string; P for pause

13.3 Resistance values

Temp. °C	-35	-30	-25	-20	-15	-10	-5	0	5	10	15	20
Resistance Ω	862.5	882.2	901.9	921.6	941.2	960.9	980.4	1000.0	1019.5	1039.0	1058.5	1077.9
Temp. °C	25	30	35	40	45	50	55	60	65	70	75	80
Resistance Ω	1097.3	1116.7	1136.1	1155.4	1174.7	1194.0	1213.2	1232.4	1251.6	1270.8	1289.9	1309.0
Temp. °C	85	90	95	100	105	110	115	120	125	130	135	140
Resistance Ω	1328.1	1347.1	1366.1	1385.1	1404.0	1422.9	1441.8	1460.7	1479.5	1498.3	1517.1	1535.8
Temp. °C	145	150	155	160	165	170	175	180	185	190	195	200
Resistance Ω	1554.6	1573.3	1591.9	1610.5	1629.1	1647.7	1666.3	1684.8	1703.3	1721.7	1740.2	1758.6

13.4 Technical data

Inputs	8 inputs for Pt 1000 temperature sensors and 2 binary inputs, terminal 11 as 0 to 10 V input for external demand or outdoor temperature signal
Outputs* * Switch-on surge, max. 16 A	2 x three-step signal: load max. 250 V AC, 2 A*, alternatively 2 x on/off signal: load max. 250 V AC, 2 A* 3 x pump output: load max. 250 V AC, 2 A*, all outputs are relay outputs with varistor suppression Terminal 11 as 0 to 10 V output for continuous-action control for RK1 control circuit or signal for external demand, load > 5 k Ω
Interfaces (TROVIS 5573-110x only)	M-bus for max. 3 M-bus units, protocol according to EN 1434-3
Optional interfaces	1 x Modbus RS-232 interface for modem using RS-232 communication module/modem 1 x Modbus RS-485 interface for two-wire bus using RS-485 communication module (Modbus RTU protocol, data format 8-N-1, RJ-45 connector socket at the side)
Operating voltage	85 to 250 V, 48 to 62 Hz, max. 1.5 VA
Ambient temperature	0 to 40 °C (operation), -10 to 60 °C (storage and transport)
Degree of protection	IP 40 according to IEC 529
Class of protection	II according to VDE 0106
Degree of contamination	2 according to VDE 0110
Overvoltage category	II according to VDE 0110
Humidity rating	F according to VDE 40040
Noise immunity	According to EN 61000-6-1
Noise emission	According to EN 61000-6-3
Weight	Approx. 0.5 kg
Compliance	

* For systems with one control circuit, a maximum of four pumps are available.

13.5 Customer setting

Station	
Operator	
SAMSON office	
System code number	

Function block settings in configuration levels

	CO1	CO2	CO4	CO5	CO6	CO8
F01						
F02						
F03						
F04						
F05						
F06						
F07						
F08						
F09						
F10						
F11						
F12						
F13						
F14						
F15						
F16						
F17						
F18						
F19						
F20						
F21						
F22						
F23						

PA1 parameters (heating circuit HC1) and PA2 parameters (heating circuit HC2)

P	Parameters	PA1 (HC1)	PA2 (HC2)	Value range
01	Flow gradient			0.2 to 3.2
02	Level (parallel shift)			-30.0 to 30.0 °C
03	Flow set point (day)			-5.0 to 150.0 °C
04	Flow set point (night)			-5.0 to 150.0 °C
05	Four-point characteristic			
	Outdoor temperature, point 1			-30.0 to 50.0 °C
	Outdoor temperature, point 2			-30.0 to 50.0 °C
	Outdoor temperature, point 3			-30.0 to 50.0 °C
	Outdoor temperature, point 4			-30.0 to 50.0 °C
	Flow temperature, point 1			-5.0 to 150.0 °C
	Flow temperature, point 2			-5.0 to 150.0 °C
	Flow temperature, point 3			-5.0 to 150.0 °C
	Flow temperature, point 4			-5.0 to 150.0 °C
	Reduced flow temperature, point 1			-5.0 to 150.0 °C
	Reduced flow temperature, point 2			-5.0 to 150.0 °C
	Reduced flow temperature, point 3			-5.0 to 150.0 °C
	Reduced flow temperature, point 4			-5.0 to 150.0 °C
	Return flow temperature, point 1			5.0 to 90.0 °C
	Return flow temperature, point 2			5.0 to 90.0 °C
	Return flow temperature, point 3			5.0 to 90.0 °C
	Return flow temperature, point 4			5.0 to 90.0 °C
	Flow rate, point 1		-	0.00 to 650 m ³ /h
	Flow rate, point 2		-	0.00 to 650 m ³ /h
	Flow rate, point 3		-	0.00 to 650 m ³ /h
	Flow rate, point 4		-	0.00 to 650 m ³ /h
	Capacity, point 1		-	0.0 to 6500 kW
	Capacity, point 2		-	0.0 to 6500 kW
	Capacity, point 3		-	0.0 to 6500 kW
	Capacity, point 4		-	0.0 to 6500 kW
06	Min. flow temperature			-5.0 to 150.0 °C

P	Parameters	PA1 (HC1)	PA2 (HC2)	Value range
07	Max. flow temperature			-5.0 to 150.0 °C
09	Outdoor temperature for continuous day mode			-50.0 to 5.0 °C
10	Minimum flow temperature set point HC for binary demand processing			5.0 to 150.0 °C
11	Return flow gradient			0.2 to 3.2
12	Return flow level			-30.0 to 30.0 °C
13	Base point for return flow temperature:			5.0 to 90.0 °C
14	Max. return flow temperature			5.0 to 90.0 °C
15	Set point boost (pre-control circuit)			0.0 to 50.0 °C
21	Start speed reduction			5.0 to 90.0 °C
21	Stop speed reduction			5.0 to 90.0 °C
21	Min. speed signal			0 to 10 V

CO1 function block parameters (heating circuit HC1) and CO2 function block parameters (heating circuit HC2)

F	Function block parameters	CO1 (HC1)	CO2 (HC2)	Value range
03	KP (limiting factor)			0.1 to 10.0
05	Start temperature			20.0 to 60.0 °C
05	Temp. rise/day			0.0 to 10.0 °C
05	Maximum temperature			25.0 to 60.0 °C
05	Duration:			0 to 10 days
05	Temp. reduction/day			0.0 to 10.0 °C
09	Cycle time			0 to 100 min
09	KP (gain)			0.0 to 25.0
12	KP (gain)			0.1 to 50.0
12	Tn (reset time)			1 to 999 s
12	TV (derivative-action time)			0 to 999 s
12	TY (valve transit time)			5 to 240 s
12	Hysteresis			1.0 to 30.0 °C
12	Min. ON time			0 to 10 min
12	Min. OFF time			0 to 10 min

F	Function block parameters	CO1 (HC1)	CO2 (HC2)	Value range
13	Max. system deviation			2.0 to 10.0 °C
14	Active when BI =			ON, OFF
16	Lower transmission range			0.0 to 150.0 °C
16	Upper transmission range			0.0 to 150.0 °C
17	Active when BI =			ON, OFF
18	Lower transmission range			0.0 to 130.0 °C
18	Upper transmission range			0.0 to 130.0 °C
18	Boost			0.0 to 30.0 °C

PA4 parameters (domestic hot water heating)

P	Parameters	PA4 (DHW)	Value range
01	Min. adjustable DHW set point		5.0 to 90.0 °C
02	Max. adjustable DHW set point		5.0 to 90.0 °C
03	Hysteresis		1.0 to 30.0 °C
04	Charging temperature boost		0.0 to 50.0 °C
05	Max. charging temperature		20.0 to 150.0 °C
06	Lag time for storage tank charging pump		0.0 to 10.0 x valve transit time
07	Max. return flow temperature		20.0 to 90.0 °C
10	Solar circuit pump ON		0.0 to 30.0 °C
11	Solar circuit pump OFF		20.0 to 90.0 °C
12	Max. storage tank temperature		20.0 to 90.0 °C

PA5 parameters (system-wide parameters)

P	Parameters	PA5	Value range
01	Start temperature for boiler pump		20.0 to 90.0 °C
02	Boiler pump hysteresis		0.0 to 30.0 °C

CO4 function block parameters (domestic hot water heating)

F	Function block parameters	CO4 (DHW)	Value range
03	KP (limiting factor)		0.1 to 10.0
04	Select		Analog/binary

F	Function block parameters	CO4 (DHW)	Value range
05	Stop		0 to 10 min
05	Temperature limit		20.0 to 90.0 °C
08	Start		0 to 10 min
08	KP (influence factor)		0.1 to 10.0
08	Control circuit (only system Anl 4.5)		HC1, HC2, HC1+HC2
09	Start		0 to 10 min
09	Control circuit (only system Anl 4.5)		HC1, HC2, HC1+HC2
12	KP (gain)		0.1 to 50.0
12	Tn (reset time)		1 to 999 s
12	TV (derivative-action time)		0 to 999 s
12	TY (valve transit time)		5 to 240 s
12	Hysteresis		1.0 to 30.0 °C
12	Min. ON time		0 to 10 min
12	Min. OFF time		0 to 10 min
13	Max. system deviation		2.0 to 10.0 °C
14	Day of the week		1 to 7
14	Time		Adjustable as required
14	Boost		60.0 to 90.0 °C
14	Duration		0 to 255 min
14	Active when BI =		ON, OFF
21	Start speed reduction		5.0 to 90.0 °C
21	Stop speed reduction		5.0 to 90.0 °C
21	Min. speed signal		0 to 10 V

CO5 function block parameters (system-wide functions)

F	Function block parameters	CO5	Value range
04	Time		Adjustable as required
04	No. days until activation		1 to 3
04	No. days until deactivation		1 to 3
04	Limit		0.0 to 30.0 °C
05	Delay/h		1.0 to 6.0 °C

F	Function block parameters	CO5	Value range
06	Delay/h		1.0 to 6.0 °C
07	Relay contact		NO contact, NC contact
09	Limit		-15.0 to 3.0 °C
12	Switching mode		Binary, analog
12	Active when BI =		ON, OFF
23	Direction		Input, output
23	Lower transmission range		-30.0 to 100.0 °C
23	Upper transmission range		-30.0 to 100.0 °C

PA6 parameters (Modbus)

P	Parameters	PA6	Value range
01	Modbus station address (8 bit)		1 to 246
03	Modem init. time		1 to 255 min
04	Modem dialing pause (P)		0 to 255 min
05	Modem timeout (T)		1 to 255 min
06	Number of redialing attempts		1 to 255
07	Phone number of control station		Adjustable as required
08	Access number		Adjustable as required
09	Mobile phone number		Adjustable as required

CO6 function block parameters (Modbus)

F	Function block parameters	CO6	Value range
10	WMZ1 address		0 to 255
10	WMZ1 model code		1434, CAL3, APAtO, SLS
10	WMZ1 reading mode		24h, CONT, CoIL
10	WMZ2 address		0 to 255
10	WMZ2 model code		1434, CAL3, APAtO, SLS
10	WMZ3 reading mode		24h, CONT, CoIL
10	WMZ3 address		0 to 255
10	WMZ3 model code		1434, CAL3, APAtO, SLS
10	WMZ3 reading mode		24h, CONT, CoIL

F	Function block parameters	CO6	Value range
10	WMZ4 address (TROVIS 5573-100x only)		0 to 255
10	WMZ4 model code (TROVIS 5573-100x only)		1434, CAL3, APAfO, SLS
10	WMZ4 reading mode (TROVIS 5573-100x only)		24h, CONT, CoiL
10	WMZ5 address (TROVIS 5573-100x only)		0 to 255
10	WMZ5 model code (TROVIS 5573-100x only)		1434, CAL3, APAfO, SLS
10	WMZ5 reading mode (TROVIS 5573-100x only)		24h, CONT, CoiL
10	WMZ6 address (TROVIS 5573-100x only)		0 to 255
10	WMZ6 model code (TROVIS 5573-100x only)		1434, CAL3, APAfO, SLS
10	WMZ6 reading mode (TROVIS 5573-100x only)		24h, CONT, CoiL
11	Max. limit		At, 0.01 to 650 m ³ /h
11	Max. limit for heating		At, 0.00 to 650 m ³ /h
11	Max. limit for DHW		0.01 to 650 m ³ /h
11	Limiting factor		0.1 to 10
12	Max. limit		At, 0.1 to 6500 kW
12	Max. limit for heating		At, 0.0 to 6500 kW
12	Max. limit for DHW		0.1 to 6500 kW
12	Limiting factor		0.1 to 10
13	Max. limit		0.01 to 650 m ³ /h
13	Limiting factor		0.1 to 10
14	Max. limit		0.1 to 6500 kW
14	Limiting factor		0.1 to 10

CO8 function block parameters (initialization of BI1 and BI2)

F	Function block parameters	CO8	Value range
1	Error message when		BI = 0, BI = 1, none (1)
2	Limiting factor		BI = 0, BI = 1, none (1)

Index	
A	
Adaptation	84
Flash.....	82
Automatic mode.....	11
C	
Capacity limitation	120
Charging pump	
Speed reduction.....	94
Circulation pump (DHW)	95
Communication.....	113
Communication module	
RS-232	114
RS-485	115
Communication parameters	116
Condensate accumulation control	101
Continuous control.....	103
Continuous day mode.....	77
Control	
Continuous-action	103
On/off.....	102
Three-step	102
Controller release	103
Control station	
Phone number	117
Cooling control	84
Creep feed rate limitation.....	105
Customer setting.....	152
D	
Damping	
Motorized valve.....	101
Outdoor temperature	80
Data logging	122
Day mode.....	11
Day set point	
Setting	21
Default setting	31
Delayed outdoor temperature adaptation	80
Demand processing, external	104
Display contrast	30
Disposal	6
Domestic hot water heating	
Additionally controlled by a globe valve .	
89	
In instantaneous heating system	92
In storage tank charging system	90
In storage tank system	87
Time-controlled changeover of storage	
tank sensors	88, 91
With solar system	93
Drying of jointless floors	76
E	
Electrical connection	127
Error during operation.....	109
Error list	109
Error status register.....	110
External demand processing	
0 to 10 V	105
Binary.....	104
F	
Feeder pump.....	106
Fixed set point control.....	75
Flash adaptation	82
Based on room temperature.....	83

- Flow limitation 119
- Forced charging of DHW storage tank... 97
- Forced operation of pumps..... 100
- Forced pump operation..... 100
- Four-point characteristic..... 74
- Frost protection 99
- Function block lists..... 132
- Functions
 - Activation..... 25
- G**
- Gradient characteristic..... 71, 72
- I**
- Installation 124
- Intermediate heating..... 94
- K**
- Key number
 - Customized 107
- L**
- Locking
 - Manual level 106
 - Rotary switch..... 106
- Logging module 122
- M**
- Manual level
 - Locking 106
- Manual mode 11
 - Setting 32
- Memory module..... 121
- Meter bus
 - Capacity limitation..... 118
 - Flow limitation 118
 - Gateway..... 117
- Modbus
 - Station address..... 116
- Modem
 - Dialing pause..... 116
 - Timeout..... 116
- N**
- Night mode 11
- Night set point
 - Setting 21
- Notification by text message (SMS) in the event of a fault 111
- O**
- On/off control 102
- Operating controls 7
- Operating level 8
- Operating modes
 - Setting 11
- Operation..... 7
- Optimization 81
- Outdoor temperature
 - Continuous day mode 77
 - Delayed adaptation 80
- P**
- Panel mounting 124
- Parallel pump operation..... 94
- Parameter lists..... 144
- Parameters
 - Setting 27
- Party timer 17
- Precautionary statements..... 6
- Priority circuit..... 95
- Public holidays..... 18

R		Three-step control	102
Rail mounting.....	126	Time/date	
Rated operation	11	Setting	13
Reading information	8	Trend-Viewer	10
Reduced operation	11	U	
Release control circuit	103	Underfloor heating.....	76
Remote operation	80	V	
Resistance values.....	150	Vacations.....	19
Return flow temperature limitation.....	100	W	
Reverse control.....	95	Wall mounting	124
Rotary switch	7	Weather-compensated control	71
Locking	106		
RS-485.....	115		
S			
Sensors			
Calibration	28		
Electrical connection.....	128		
Failure	109		
Set-back operation	96		
Special time-of-use	17		
Start-up.....	23		
Storage tank charging pump			
Speed reduction.....	94		
Summer mode.....	79		
Summer/standard time switchover.....	99		
System code number	33		
Setting	24		
Systems	33		
T			
Technical data.....	151		
Temperature monitoring	110		
Thermal disinfection.....	97		

Key number

1732



SAMSON AG · MESS- UND REGELTECHNIK
Weismüllerstraße 3 · 60314 Frankfurt am Main, Germany
Phone: +49 69 4009-0 · Fax: +49 69 4009-1507
samson@samson.de · www.samson.de

EB 5573-1 EN

2015-11-18 · English