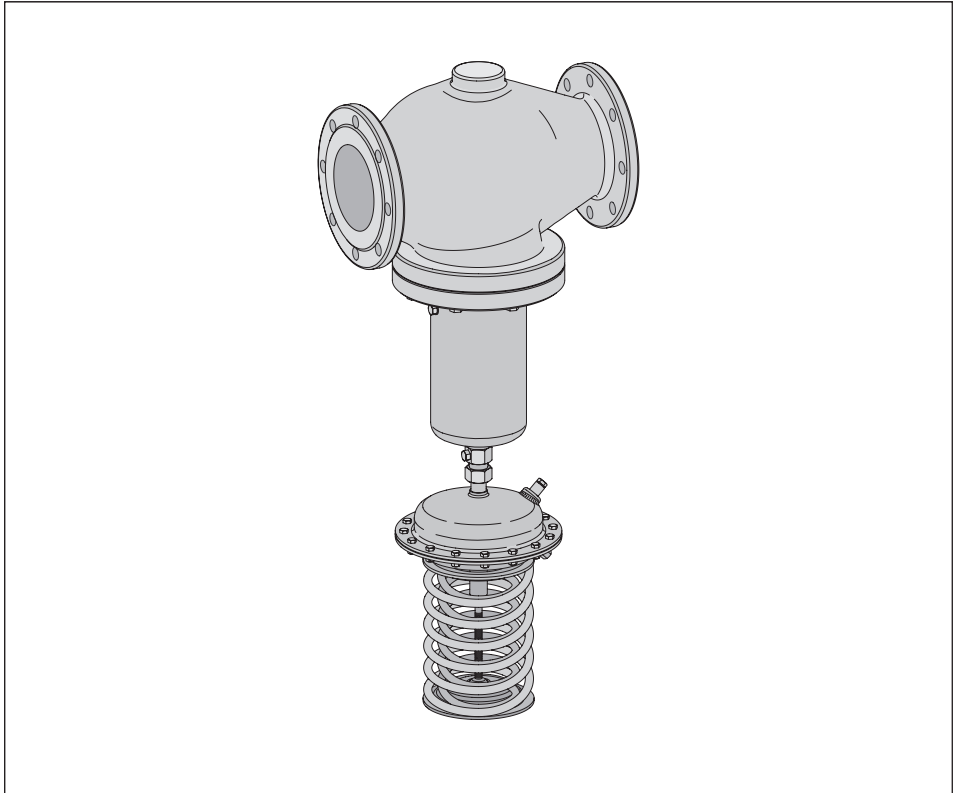


# MOUNTING AND OPERATING INSTRUCTIONS



## EB 2547 EN

Translation of original instructions



## Type 2422/2424 Pressure Reducing Valve Self-operated Pressure Regulators

Edition January 2024



## Note on these mounting and operating instructions

These mounting and operating instructions assist you in mounting and operating the device safely. The instructions are binding for handling SAMSON devices. The images shown in these instructions are for illustration purposes only. The actual product may vary.

- For the safe and proper use of these instructions, read them carefully and keep them for later reference.
- If you have any questions about these instructions, contact SAMSON's After-sales Service (aftersaleservice@samsongroup.com).



Documents relating to the device, such as the mounting and operating instructions, are available on our website at [www.samsongroup.com](http://www.samsongroup.com) > **Downloads > Documentation.**

## Definition of signal words

### **DANGER**

*Hazardous situations which, if not avoided, will result in death or serious injury*

### **WARNING**

*Hazardous situations which, if not avoided, could result in death or serious injury*

### **NOTICE**

*Property damage message or malfunction*

### **Note**

*Additional information*

### **Tip**

*Recommended action*

<b>1</b>	<b>General safety instructions</b> .....	<b>4</b>
<b>2</b>	<b>Process medium and scope of application</b> .....	<b>6</b>
2.1	Transportation and storage .....	6
<b>3</b>	<b>Design and principle of operation</b> .....	<b>7</b>
<b>4</b>	<b>Installation</b> .....	<b>9</b>
4.1	Assembly .....	10
4.2	Mounting orientation .....	10
4.3	Notes on installation .....	11
4.4	Control line, compensation chamber and needle valve .....	12
4.5	Strainers .....	12
4.6	Shut-off valve.....	13
4.7	Pressure gauge .....	13
<b>5</b>	<b>Operation</b> .....	<b>14</b>
5.1	Start-up.....	14
5.2	Adjusting the set point .....	14
5.3	Decommissioning .....	15
<b>6</b>	<b>Maintenance and troubleshooting</b> .....	<b>15</b>
6.1	Replacing the operating diaphragm .....	15
<b>7</b>	<b>Nameplate</b> .....	<b>16</b>
7.1	Nameplates .....	16
7.2	Location of the nameplates .....	17
7.3	Material identification number .....	17
<b>8</b>	<b>After-sales service</b> .....	<b>18</b>
<b>9</b>	<b>Disposal</b> .....	<b>18</b>
<b>10</b>	<b>Dimensions</b> .....	<b>19</b>
<b>11</b>	<b>Technical data</b> .....	<b>21</b>
<b>12</b>	<b>Certificates</b> .....	<b>22</b>
12.1	Information on the UK sales region.....	22



### 1 General safety instructions

- The device must be mounted, started up or serviced by fully trained and qualified personnel only; the accepted industry codes and practices are to be observed. Make sure employees or third parties are not exposed to any danger.
- All safety instructions and warnings given in these mounting and operating instructions, particularly those concerning installation, start-up, and maintenance, must be strictly observed.
- According to these mounting and operating instructions, trained personnel refers to individuals who are able to judge the work they are assigned to and recognize possible dangers due to their specialized training, their knowledge and experience as well as their knowledge of the applicable standards.
- The regulators comply with the requirements of the European Pressure Equipment Directive 2014/68/EU, Machinery Directive 2006/42/EC, Directive 2016 No. 1105 Pressure Equipment (Safety) Regulations 2016 and Directive 2008 No. 1597 Supply of Machinery (Safety) Regulations 2008. Regulators with a CE marking and/or UKCA marking have a declaration of conformity, which includes information about the applied conformity assessment procedure. The declaration of conformity is included in the 'Certificates' section.
- To ensure appropriate use, only use the device in applications where the operating pressure and temperatures do not exceed the specifications used for sizing the device at the ordering stage.
- The manufacturer does not assume any responsibility for damage caused by external forces or any other external factors.
- Any hazards that could be caused in the regulator by the process medium, operating pressure or by moving parts are to be prevented by taking appropriate precautions.
- Proper transport, storage, installation, operation, and maintenance are assumed.
- If solenoid valves are installed downstream of the regulator when the regulator is used to control liquids, pressure peaks may occur when the solenoid valves close quickly. The installation of solenoid valves downstream of the regulator is not permitted when the regulator is used to control liquids.

---

**i Note**

*According to the ignition risk assessment performed in accordance with Clause 5.2 of ISO 80079-36, the non-electrical actuators and valves do not have their own potential ignition source even in the rare incident of an operating fault. As a result, they do not fall within the scope of Directive 2014/34/EU (ATEX). For connection to the equipotential bonding system, observe the requirements specified in Clause 6.4 of EN 60079-14 (VDE 0165-1).*

---

## 2 Process medium and scope of application

Pressure regulator for liquids, gases and vapors up to 350 °C

For controlling the downstream pressure  $p_2$  to the adjusted set point. The valve closes when the downstream pressure rises. The downstream pressure is transmitted to the actuator over a control line that must be installed on site.

The pressure regulators are not shut-off devices guaranteeing tight shut-off. When closed, these regulators can have a leakage rate of  $\leq 0.05\%$  of the  $K_{VS}$  coefficient.

Overpressure protection must be installed in the plant.

---

### **⚠ WARNING**

***Uncontrolled excess pressure in the plant may damage the diaphragm and cause personal injury.***

*The maximum permissible pressure at the actuator must not exceed the pressure specified in Table 1 on page 11.*

---

## 2.1 Transportation and storage

The regulator must be carefully handled, transported and stored. Protect the regulator against adverse influences, such as dirt, moisture or frost, during storage and transportation before being installed.

When regulators are too heavy to be lifted by hand, fasten the lifting sling to a suitable place on the valve body.

---

### **⚠ WARNING**

***Risk of injury due to valve falling.***

*Fasten the lifting sling only to the valve body and secure against slipping.*

---

### 3 Design and principle of operation

See Fig. 1 on page 8 and Fig. 2 on page 9.

The Type 2422/2424 Pressure Reducing Valve consists of the Type 2422 Valve and the Type 2424 Actuator. The Type 2422 Valve is available either balanced by a bellows or a diaphragm.

The pressure reducing valve is used to maintain the pressure downstream of the valve to an adjusted set point. The valve closes when the downstream pressure rises.

The medium flows through the valve in the direction indicated by the arrow. The position of the plug (3) determines the flow rate across the area released between plug (3) and valve seat (2). The plug stem (4) with the plug is connected to the actuator stem (4.1) of the actuator (10).

The downstream pressure  $p_2$  is regulated by the positioning springs (11) and the set point adjuster (13). When relieved of pressure, the valve is opened by the force of the positioning springs.

The downstream pressure  $p_2$  to be controlled is tapped downstream of the valve and transmitted over the control line to the operating diaphragm (9) where it is converted into a positioning force. This force is used to move the valve plug according to the force of the positioning springs. When the force resulting from the downstream pressure  $p_2$  rises above the adjusted set point, the valve closes proportionally to the change in pressure.

The principle of operation of the Type 2422/2424 Pressure Reducing Valve balanced by a bellows or diaphragm only differs concerning the pressure balancing. The valves balanced by a diaphragm have a balancing diaphragm (5.2) instead of a bellows (5). In both cases, the forces created by the upstream and downstream pressures that act on the valve plug are balanced out.

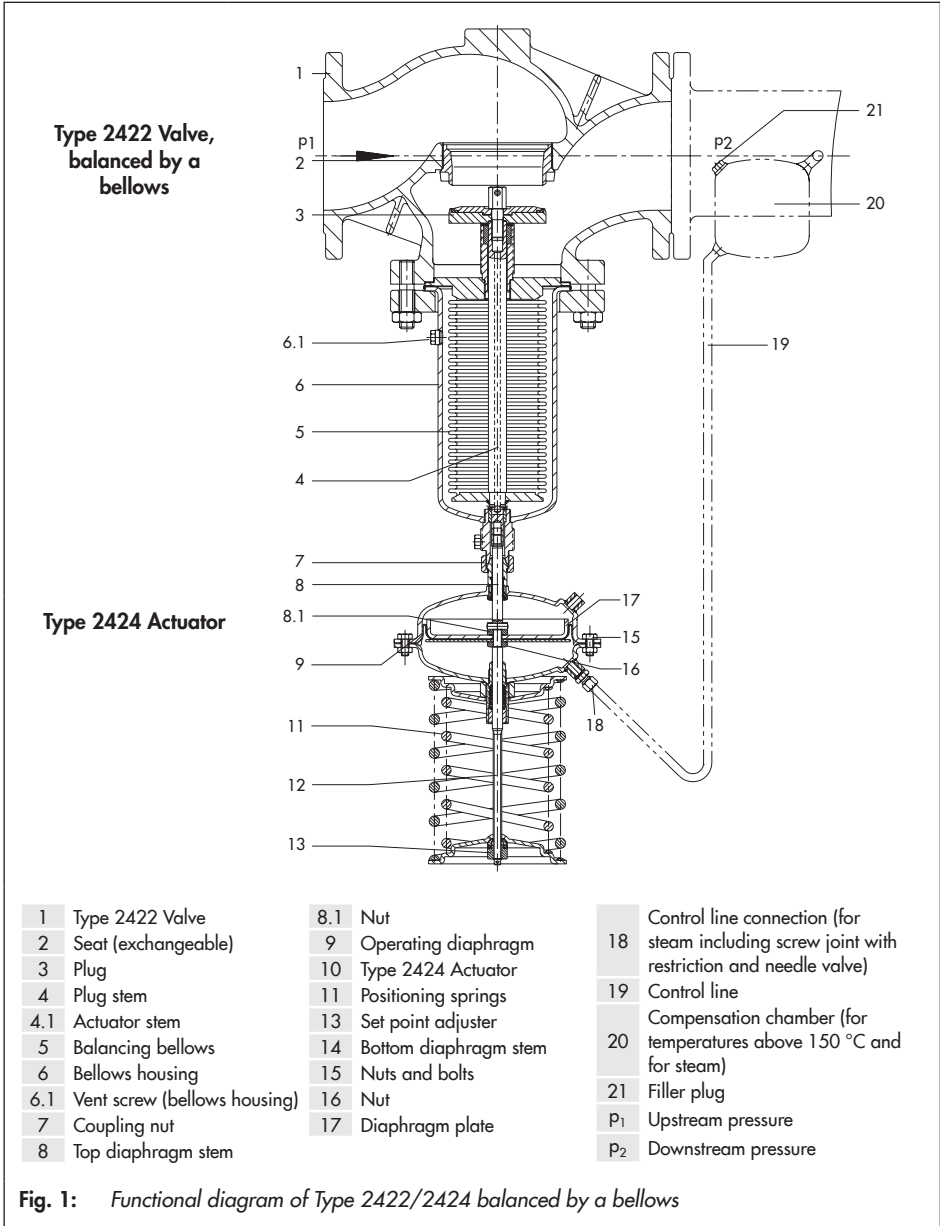
The valves can be supplied with flow divider ST 1 or ST 3. The valve seat must be replaced on retrofitting the flow divider.

The control of **vapors** and **liquids above 150 °C** is only possible with a Type 2422 Valve balanced by a bellows. In this case, compensation chamber (20) is already installed in the control line <sup>1)</sup>. The needle valve (18) is open and lead-sealed.

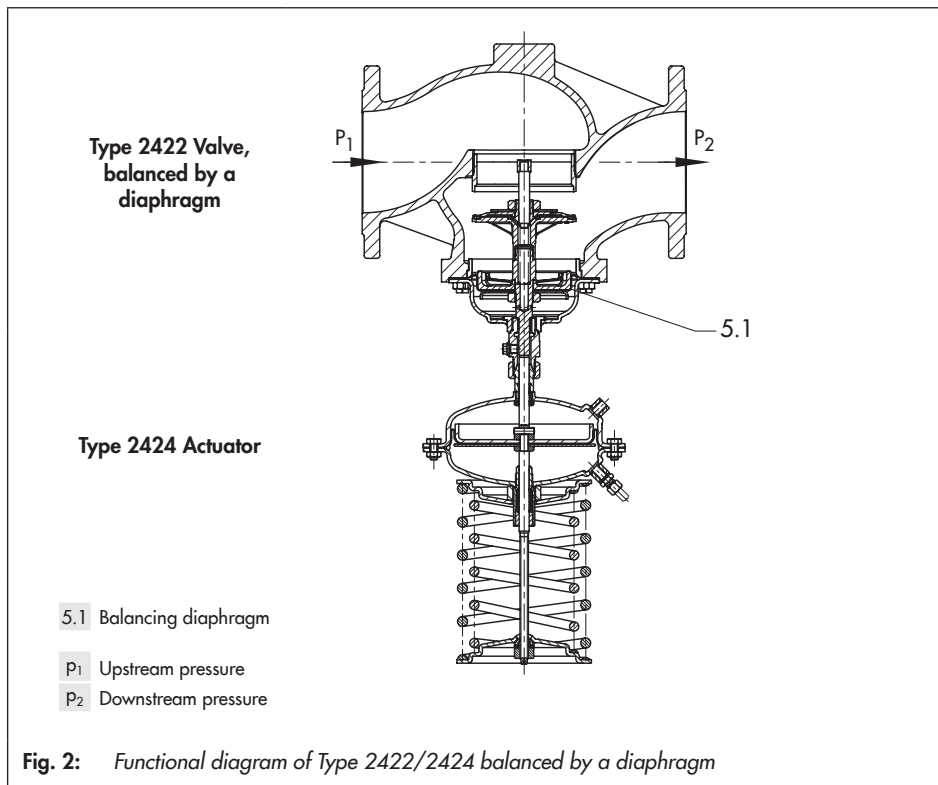
Before start-up, fill the compensation chamber with the process medium at the top filler opening (21).

<sup>1)</sup> Only in combination with a control line kit. Otherwise, the compensation chamber must be ordered separately (► T 2595).

## Design and principle of operation







## 4 Installation

See Fig. 1 on page 8 and Fig. 2 on page 9.

### NOTICE

#### **Damage due to pressure peaks.**

If solenoid valves are installed downstream of the regulator when the regulator is used to control liquids, pressure peaks may occur when the solenoid valves close quickly. The installation of solenoid valves is not permitted when the regulator is used to control liquids.

## 4.1 Assembly

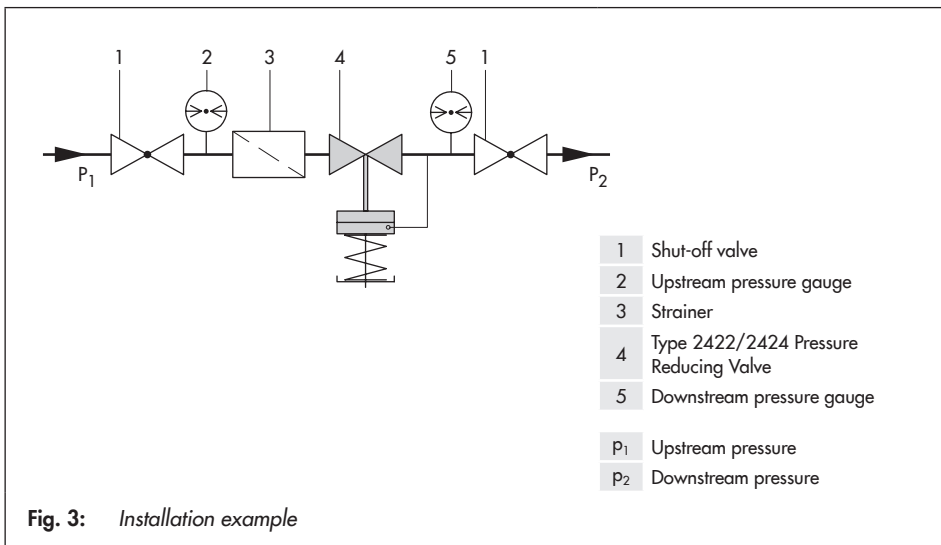
Valve and actuator can be assembled before or after the valve has been installed in the pipeline.

- ➔ Relieve the positioning springs of tension by turning the set point adjuster (13).
- ➔ Place the actuator on the bellows housing and carefully screw it in as far as it will go. Make sure the control line connection points toward the downstream pressure side.
- ➔ Hold the actuator and fasten it to the bellows housing using the coupling nut (7).

## 4.2 Mounting orientation

Select the installation location making sure that the regulator is installed at a distance of at least six times the nominal size (DN) away from pipe fittings or instruments that cause flow turbulence (e.g. pipe bends, manifolds, pressure measuring points or other valves). They can change the flow conditions which may lead to an instable control process especially in applications with gases, air or steam.

Contact SAMSON to obtain the TV-SK 17041 documentation which contains more details on installation requirements.



### 4.3 Notes on installation

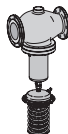
Install the pressure reducing valve in horizontal pipelines.

- Flush the pipeline thoroughly before installing the regulator to ensure that no impurities impair the proper functioning of the valve, above all the tight shut-off.
- The direction of flow must match the direction indicated by the arrow on the body.
- Install the regulator free of stress. If necessary, support the pipeline near to the connecting flanges. Do not attach supports directly to the valve or actuator.
- Install a strainer upstream of the regulator.
- Protect the regulator from icing up when controlling media that can freeze. If necessary, depressurize and drain the regulator and remove it from the pipeline while the plant is shut down.

#### Mounting orientation

##### Valve balanced by a bellows/diaphragm

- Actuator facing downward



**Pressure testing of the plant** · The pressure must not exceed the maximum permissible pressure of the regulator and plant on testing the pressure of the plant when the regulator is already installed. An excessive test pressure can damage the operating diaphragm in the actuator.

#### **⚠ WARNING**

***Uncontrolled excess pressure in the plant may damage the diaphragm and cause personal injury.***

*The maximum permissible pressure at the actuator must not exceed the pressure specified in Table 1.*

**Table 1:** Max. perm. pressure at actuator

Actuator area	Max. perm. pressure
640 cm <sup>2</sup>	1.5 bar
320 cm <sup>2</sup>	3 bar

To prevent damage to the diaphragm, take one of following precautions:

- Remove the regulator from the pipeline or isolate the regulator in the pipeline and install a bypass (see Fig. 3 on page 10) or
- Detach the control line and seal the openings with end plugs or  
Install a shut-off valve in the control line.

### 4.4 Control line, compensation chamber and needle valve

**Control line** · A control line must be provided at the site of installation, e.g. a 3/8" pipe for steam or an Ø8 x 1 or Ø6 x 1 mm copper pipe for air/water.

Connect the control line to the downstream line ( $p_2$ ) at least one meter away from the valve outlet. If a manifold is located downstream of the pressure reducing valve, connect the valve to the manifold, even if it is several meters away. If the downstream line behind the valve is extended by a conical expansion piece, connect the control line in the expanded section of the line. Weld the control line at the side in the middle of the pipe, inclining at a ratio of approximately 1:10 up to the compensation chamber.

Weld the line coming from the pressure tapping point to the 3/8" pipe socket on the chamber. Install the compensation chamber at the highest point of the pipeline.

Consequently, the control line between compensation chamber and actuator must also be installed with a downward slope. In this case, use a 3/8" pipe with screw fittings.

If the control line connection is located below the middle of the valve outlet flange, arrange the compensation chamber at the same level as the outlet flange. In this case, use a pipe which is at least 1/2" in size for the control line from the tapping point to the compensation chamber.

If the control line is connected above the middle of the valve outlet flange, install the compensation chamber at the same level as

the downstream pressure tapping point. The additional pressure of the condensate head must be compensated for by adjusting the set point to a higher value.

**Control line kit** · A control line kit for tapping pressure directly at the valve body is available as an accessories part from SAMSON (for set points  $\geq 0.8$  bar).

**Compensation chamber** · A compensation chamber is required for liquids **above 150 °C** as well as for **steam**. The mounting position of the compensation chamber is indicated by an adhesive label on the chamber itself as well as by an arrow and the word "top" stamped on the top of the chamber.

This mounting position must be adhered to; otherwise the safe functioning of the pressure reducing valve cannot be guaranteed.

**Needle valve** · If the regulator tends to hunt, install a needle valve at the control line connection (18) in addition to the standard SAMSON screw joint with restriction.

### 4.5 Strainers

Install the strainer upstream of the pressure reducing valve (see Fig. 3 on page 10).

- Do not use the strainer to permanently filter the process medium.
- The direction of flow must correspond to the arrow on the body.
- The filter element must be installed to hang downwards or sideways for applications with steam.

**Tip**

*Remember to leave enough space to remove the filter element.*

---

## 4.6 Shut-off valve

Install a hand-operated shut-off valve both upstream of the strainer and downstream of the regulator. This allows the plant to be shut down for cleaning and maintenance and when the plant is not used for longer periods of time (see Fig. 3 on page 10).

## 4.7 Pressure gauge

Install a pressure gauge both upstream and downstream of the regulator to monitor the pressures prevailing in the plant (see Fig. 3 on page 10).

Install the pressure gauge on the downstream side behind the downstream pressure tapping point.

# 5 Operation

See Fig. 1 on page 8 and Fig. 2 on page 9.

## 5.1 Start-up

Do not start up the regulator until all parts have been mounted. Make sure the control line is open and correctly connected.

Fill the plant slowly with the process medium. Avoid pressure surges. Open the shut-off valves first on the upstream pressure side. Afterwards, open all the valves on the consumer side (downstream of the regulator).

### Regulation of steam

Observe the following points for applications with steam:

- Before start-up, all pipes conveying the process medium must be completely drained and dry (to prevent steam hammering).
- Before start-up, fill the compensation chamber (20) with water at the filling opening (21) until it overflows. Screw the plug back in.
- **Slowly** start up the plant and allow time for the pipes and valves to heat up.

Air and condensate must be allowed to escape from the plant. Install steam trap (e.g. SAMSON Type 13 E) or air vent for steam-operated systems (e.g. SAMSON Type 3) at a suitable location.

### Regulation of liquids

To start up the pressure reducing valve, open shut-off valves slowly. To vent the bellows

space, unscrew the vent screw (6.1). After the air has escaped from the bellows space, retighten the vent screw (6.1).

For temperatures above 150 °C, first fill the compensation chamber with the process medium.

## 5.2 Adjusting the set point

Adjust the required downstream pressure by turning the set point adjuster (13).

### Turn clockwise ↻

- The downstream pressure is increased (higher pressure set point)

### Turn counterclockwise ↺

- The downstream pressure is reduced (lower pressure set point)

When the force resulting from the downstream pressure  $p_2$  rises above the adjusted set point, the valve closes proportionally to the change in pressure.



### Tip

*Monitor the adjusted set point pressure at the pressure gauge on the downstream pressure side.*

---

### Changing the set point range

The set point range is determined by the size of the actuator and its positioning springs. The set point range can only be changed by exchanging the entire actuator assembly. Therefore, we recommend contacting us if you want to change the set point range.

### 5.3 Decommissioning

Close first the shut-off valve on the upstream side of the valve and then on the downstream side of the valve.

## 6 Maintenance and troubleshooting

If the downstream pressure deviates considerably from the set point, check the control line for blockage and check the diaphragm for leakage.

In case of other causes, such as a damaged seat or plug, we recommend contacting SAMSON's After-sales Service (see section 8).

If the diaphragm is damaged, proceed as described in section 6.1.

### **⚠ WARNING**

**Hot process medium can escape uncontrolled on dismantling the regulator. Risk of scalding.**

*Allow the regulator to cool down before depressurizing and draining it and remove it from the pipeline.*

### 6.1 Replacing the operating diaphragm

See Fig. 1 on page 8 and Fig. 2 on page 9.

Shut down the plant by slowly closing the shut-off valves. Depressurize the relevant section of the pipeline and, if necessary, drain it as well.

The actuator can be removed from the valve without having to remove the valve from the pipeline. However, in this case, do not forget that the actuator cone seals off the bellows housing. Consequently, the process medium will drain out of the valve on removing the actuator.

1. Relieve the spring assembly of tension by turning the set point adjuster (13) counterclockwise.
2. Unscrew the control line and clean it.
3. Undo the coupling nut (7) and remove the actuator.
4. Unscrew the set point adjuster (13). Remove bearing, bushing, spring(s) and spring plate.
5. Remove nuts and bolts (15). Lift the top cover plate off the actuator stem.
6. Pull the diaphragm stems together with the diaphragm plates and the diaphragm out of the lower diaphragm case.
7. Hold the bottom nut (16) stationary using a socket wrench and unscrew the top diaphragm stem by loosening the nut (8.1) (the nut is sealed with paint!).
8. Take off the top diaphragm plate (17). Replace the operating diaphragm (9) with a new one.

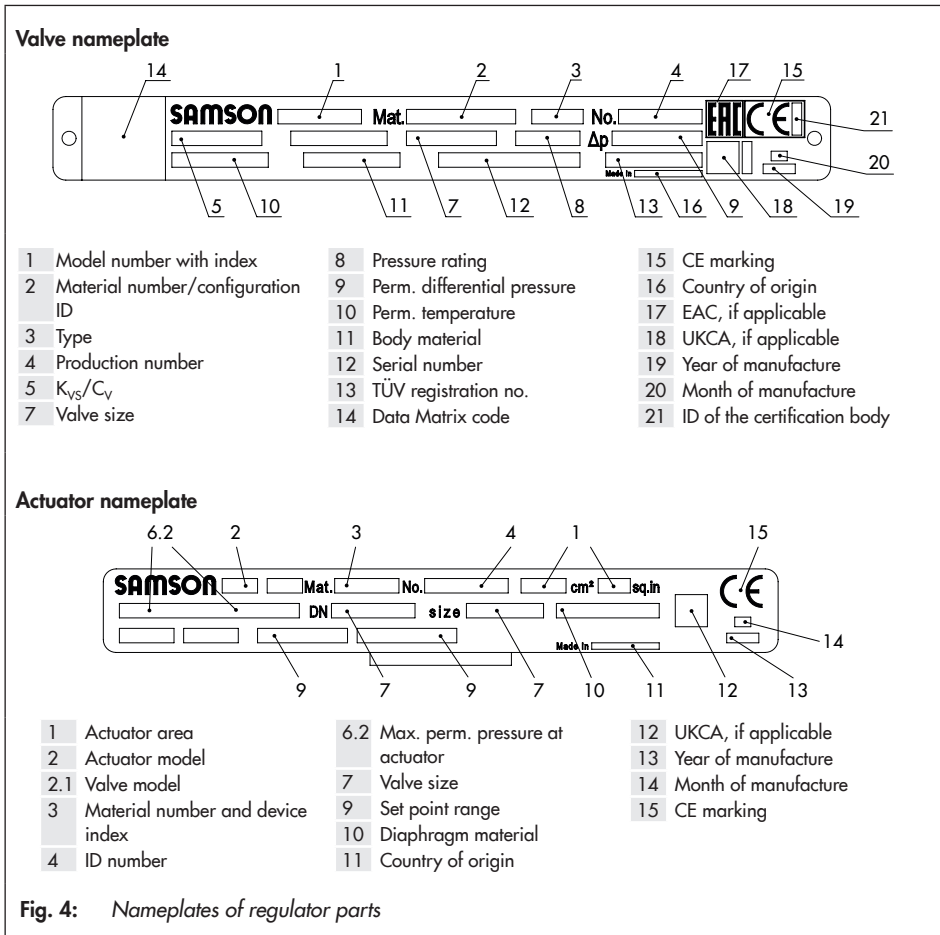
Proceed in the reverse order to reassemble the regulator. For start-up, proceed as described in section 5.1.

## 7 Nameplate

Several nameplates are affixed to the device. The nameplates shown were up to date at the time of publication of this document. The nameplates on the device may differ from

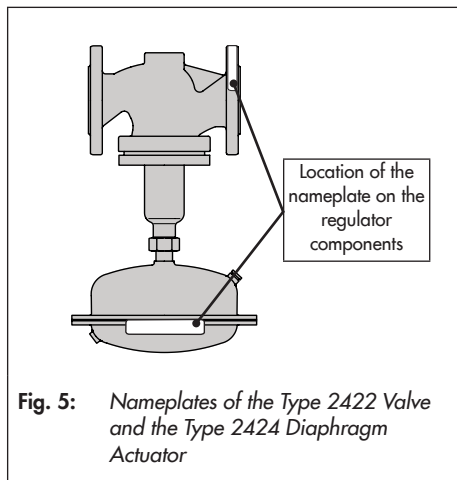
the ones shown. The nameplates are used to identify the separate regulator components (see Fig. 4).

### 7.1 Nameplates





## 7.2 Location of the nameplates



## 7.3 Material identification number

### 7.3.1 Type 2422 Valve

See the nameplate (11 for DIN/ANSI version, body material) for the material used. For more details on the nameplate, see section 7.1.

### 7.3.2 Type 2424 Actuator

Specifying the material number, you can contact us to find out which material is used. It is specified on the nameplate in the 'MNo.' field (3 for DIN/ANSI). For more details on the nameplate, see section 7.1.

### 8 After-sales service

If malfunctions or defects occur, contact the SAMSON's After-sales Service for support.

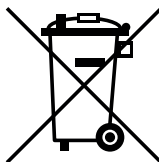
The addresses of SAMSON AG, its subsidiaries, representatives and service facilities worldwide can be found on our website ([www.samsongroup.net](http://www.samsongroup.net)), in all SAMSON product catalogs or on the back of these Mounting and Operating Instructions.

Please send your inquiries to: [service@samsongroup.com](mailto:service@samsongroup.com)

To assist diagnosis, specify the following details (see section 7):

- Valve type and valve size
- Model number and configuration ID
- Order number or date
- Upstream and downstream pressure
- Temperature and process medium
- Min. and max. flow rate in m<sup>3</sup>/h
- Is a strainer installed?
- Installation drawing showing the exact location of the regulator and all the additionally installed components (shut-off valves, pressure gauge etc.)

### 9 Disposal



SAMSON is a producer registered at the following European institution ► <https://www.ewrn.org/national-registers/national-registers>.  
WEEE reg. no.:  
DE 62194439/FR 025665

- Observe local, national and international refuse regulations.
- Do not dispose of components, lubricants and hazardous substances together with your other household waste.

---

#### **i Note**

*We can provide you with a recycling passport according to PAS 1049 on request. Simply e-mail us at [aftersaleservice@samsongroup.com](mailto:aftersaleservice@samsongroup.com) giving details of your company address.*

---

---

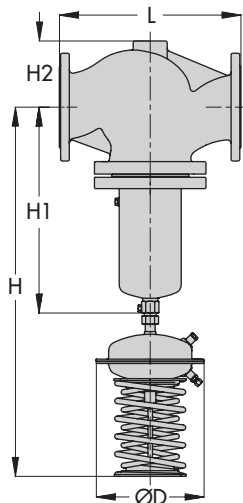
#### **💡 Tip**

*On request, we can appoint a service provider to dismantle and recycle the product as part of a distributor take-back scheme.*

---

## 10 Dimensions

Type 2422/2424 · Balanced by a bellows



Dimensions in mm and weights in kg · The values in parentheses apply to temperatures from 220 to 350 °C

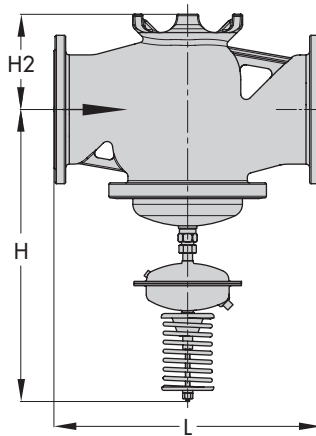
Valve size		DN 125	DN 150	DN 200	DN 250	
Length L		400	480	600	730	
Height H1		460 (600)	590 (730)	730 (870)		
Height H2		145	175	235	260	
Set point ranges in bar	0.05 to 0.25	Height H	990 (1130)	1120 (1260)	1260 (1400)	
		Actuator	ØD = 380, A = 640 cm <sup>2</sup>			
	0.1 to 0.6	Height H	990 (1130)	1120 (1260)	1260 (1400)	
		Actuator	ØD = 380, A = 640 cm <sup>2</sup>			
	0.2 to 1.0	Height H	990 (1130)	1120 (1260)	1260 (1400)	
		Actuator	ØD = 380, A = 640 cm <sup>2</sup>			
	0.5 to 1.5	Height H	910 (1050)	1040 (1180)	1180 (1320)	
		Actuator	ØD = 285, A = 320 cm <sup>2</sup>			
	1 to 2.5	Height H	910 (1080)	1070 (1210)	1180 (1350)	
		Actuator	ØD = 285, A = 320 cm <sup>2</sup>			
<b>Weight</b> <sup>1)</sup> based on cast iron, PN 16, approx. kg						
0.05 to 1.0		135	116	286	296	
0.5 to 1.5/1 to 2.5		125	110	280	290	

<sup>1)</sup> +10 % for cast steel, spheroidal graphite iron and forged steel

**Fig. 6:** Dimensions · Type 2422/2424 · Balanced by a bellows

## Dimensions

Type 2422/2424 · **Balanced by a diaphragm**





Dimensions in mm and weights in kg

Valve size	DN 125	DN 150	DN 200	DN 250
Length L	400	480	600	730
Height H	720	745	960	960
Height H2	145	175	260	260
<b>Weight (actuator with valve), approx. kg</b>				
0.05 to 1 bar	80	93	238	248
0.5 to 2.5 bar	75	87	232	242

**Fig. 7:** Dimensions · Type 2422/2424 · Balanced by a diaphragm

## 11 Technical data

Type 2422 Valve					
Valve size		DN 125	DN 150	DN 200	DN 250
Pressure rating		PN 16, 25 or 40			
Max. permissible temperature	Balanced by a bellows	Metal seal: max. 350 °C · PTFE soft seal: max. 220 °C · EPDM or FKM soft seal: max. 150 °C · NBR soft seal: max. 80 °C <sup>1)</sup>			
	Balanced by a diaphragm	EPDM soft seal, max. 150 °C			
Leakage class according to IEC 60534-4		≤0.05 % of K <sub>V5</sub> coefficient			
Conformity		 			
Type 2424 Actuator					
Set point ranges		0.05 to 0.25 bar · 0.1 to 0.6 bar · 0.2 to 1 bar 0.5 to 1.5 bar · 1 to 2.5 bar <sup>2)</sup>			
Max. permissible pressure at actuator	Effective diaphragm area	320 cm <sup>2</sup>		640 cm <sup>2</sup>	
	Pressure	3 bar		1.5 bar	
Max. permissible temperature		Gases 80 °C at the actuator <sup>1)</sup> · Liquids 150 °C, with compensation chamber max. 350 °C · Steam with compensation chamber max. 350 °C			

<sup>1)</sup> For oxygen max. 60 °C

<sup>2)</sup> Set point ranges above 2.5 bar ► T 2552 (Type 2333 Pressure Reducing Valve)

### 12 Certificates

The EU and UKCA declarations of conformity are included on the next pages:

- EU declaration of conformity in compliance with Pressure Equipment Directive 2014/68/EU on Page 23.
- EU declaration of conformity in compliance with Machinery Directive 2006/42/EC for Type 2422/2424 Regulator on Page 26.
- Declaration of incorporation in compliance with Machinery Directive 2006/42/EC for Type 2422 Valve and Type 2424 Actuator on Page 27.
- UKCA declaration of conformity in compliance with Directive 2016 No. 1105 on Page 29.
- UKCA declaration of conformity in compliance with Directive 2008 No. 1597 for Type 2422/2424 Regulator on Page 31.
- Declaration of incorporation in compliance with Directive 2008 No. 1597 for Type 2422 Valve and Type 2424 Actuator on Page 32.

### 12.1 Information on the UK sales region

The following information corresponds to the Pressure Equipment (Safety) Regulations 2016, STATUTORY INSTRUMENTS, 2016 No. 1105 (UKCA marking). It does not apply to Northern Ireland.

#### Importer

SAMSON Controls Ltd  
Perrywood Business Park  
Honeycrock Lane  
Redhill, Surrey RH1 5JQ  
Phone: +44 1737 766391  
E-mail: sales-uk@samsongroup.com  
Website: uk.samsongroup.com

EU DECLARATION OF CONFORMITY  
TRANSLATION



**Module H / N° CE-0062-PED-H-SAM 001-22-DEU**

For the following products, SAMSON hereby declares under its sole responsibility:

Devices	Series	Type	Version
Three-way valve	---	2119	DIN EN, body, EN-GJL-250 and 1.0619, DN 150, PN 16, fluids G2, L2, L1 <sup>1)</sup>
			DIN EN, body, 1.0619, DN 100-150, PN 25, fluids G2, L2, L1 <sup>1)</sup>
			DIN EN, body, 1.0619 and 1.4408, DN 65-150, PN 40, fluids G2, L2, L1 <sup>1)</sup>
			ANSI, body, A216 WCC and A351 CF8M, NPS 6, Class 150, fluids G2, L2, L1 <sup>1)</sup>
			ANSI, body, A216 WCC and A351 CF8M, NPS 2-6, Class 300, fluids G2, L2, L1 <sup>1)</sup>
Self-operated Regulators	---	3222	DIN EN, body, CC499K, DN 50, PN 25, all fluids
Three-way valve	---	3260	DIN EN, body, EN-GJL-250, DN 250-300, PN 16, fluids G2, L2 <sup>1)</sup>
Globe valve Three-way valve	V2001	3531	DIN EN, body, 1.0619 and 1.4408, DN 50-80, PN 25, all fluids
		3535	ANSI, body, A216 WCC and A351 CF8M, NPS 2½-3, Class 150, all fluids
Control valve	---	3214	DIN EN, body, EN-GJL-250, DN 150-400, PN 16, fluids G2, L2, L1 <sup>1)</sup>
			DIN EN, body, EN-GJS-400-18-LT, DN 100-150, PN 25, fluids G2, L2, L1 <sup>1)</sup>
			DIN EN, body, 1.0619, DN 32-400, PN 40, all fluids
			ANSI, body, A126 B, NPS 6-10, Class 125, fluids G2, L2, L1 <sup>1)</sup>
			ANSI, body, A216 WCC, NPS 2½-10, Class 150, all fluids
			ANSI, body, A216 WCC, NPS 1½-10, Class 300, all fluids
			ANSI, body, A216 WCC, NPS 1½-10, Class 300, all fluids
Self-operated Regulators	42	2423	DIN EN, body, EN-GJL-250, DN 150-250, PN 16, fluids G2, L2, L1 <sup>1)</sup>
			DIN EN, body, EN-GJS-400-18-LT, DN 150, PN 16, fluids G2, L2, L1 <sup>1)</sup>
			DIN EN, body, EN-GJS-400-18-LT, DN 100-150, PN 25, fluids G2, L2, L1 <sup>1)</sup>
			DIN EN, body, 1.0619 and 1.4408, DN 65-250, PN 16, all fluids
			DIN EN, body, 1.0619 and 1.4408, DN 50-250, PN 25, all fluids
			DIN EN, body, 1.0619 and 1.4408, DN 32-250, PN 40, all fluids
			ANSI, body, A126 B, NPS 6-10, Class 125, fluids G2, L2, L1 <sup>1)</sup>
			ANSI, body, A216 WCC and A351 CF8M, NPS 2½-10, Class 150, all fluids
			ANSI, body, A216 WCC and A351 CF8M, NPS 1½-10, Class 300, all fluids
			DIN EN, body, EN-GJL-250, DN 150-400, PN 16, fluids G2, L2, L1 <sup>1)</sup>
			DIN EN, body, EN-GJS-400-18-LT, DN 100-150, PN 25, fluids G2, L2, L1 <sup>1)</sup>
			DIN EN, body, 1.0619 and 1.4408, DN 65-400, PN 16, all fluids
			DIN EN, body, 1.0619 and 1.4408, DN 200-400, PN 25, all fluids
			DIN EN, body, 1.0619 and 1.4408, DN 32-400, PN 40, all fluids
			DIN EN, body, 1.0460, DN 40-50, PN 40, all Fluids
	DIN EN, body, 1.6220+QT, DN 65-250, PN 16, all fluids		
	DIN EN, body, 1.6220+QT, DN 200-250, PN 25, all fluids		
	DIN EN, body, 1.6220+QT, DN 32-250, PN 40, all fluids		
	ANSI, body, A126 B, NPS 6-16, Class 125, fluids G2, L2, L1 <sup>1)</sup>		
	ANSI, body, A216 WCC and A351CF8M, NPS 2½-16, Class 150, all fluids		
	ANSI, body, A216 WCC and A351CF8M, NPS 1½-16, Class 300, all fluids		
	ANSI, body, A105, NPS 1½-2, Class 300, all fluids		
	ANSI, body, A352 LCC, NPS 2½-10, Class 150, all fluids		
	ANSI, body, A352 LCC, NPS 1½-10, Class 300, all fluids		
	DIN EN, body, 1.0619 and 1.4408, DN 65-150, PN 16, all fluids		
	DIN EN, body, 1.0619 and 1.4408, DN 50-150, PN 25, all fluids		
	DIN EN, body, 1.0619 and 1.4408, DN 32-150, PN 40, all fluids		
	DIN EN, body, 1.4571 and 1.4401/1.4404, DN 50, PN 25, all fluids		
	DIN EN, body, 1.4571 and 1.4401/1.4404, DN 32-50, PN 40, all fluids		
	ANSI, body, A216 WCC and A351 CF8M, NPS 2½-6, Class 150, all fluids		
ANSI, body, A216 WCC and A351 CF8M, NPS 1½-6, Class 300, all fluids			
42	2421RS	DIN EN, body, 1.0619 and 1.4408, DN 65-150, PN 16, all fluids	
DIN EN, body, 1.0619 and 1.4408, DN 50-150, PN 25, all fluids			
DIN EN, body, 1.0619 and 1.4408, DN 32-150, PN 40, all fluids			
DIN EN, body, 1.4571 and 1.4401/1.4404, DN 50, PN 25, all fluids			
DIN EN, body, 1.4571 and 1.4401/1.4404, DN 32-50, PN 40, all fluids			
ANSI, body, A216 WCC and A351 CF8M, NPS 2½-6, Class 150, all fluids			
ANSI, body, A216 WCC and A351 CF8M, NPS 1½-6, Class 300, all fluids			

Revision 00

Classification: Public · SAMSON AKTIENGESELLSCHAFT · Weismuellerstrasse 3 · 60314 Frankfurt am Main, Germany

Page 1 of 3

EU DECLARATION OF CONFORMITY  
TRANSLATION



Devices	Series	Type	Version
Self-operated Regulators	40	2405	DIN EN, body, 1.0619, 1.4571, 1.4404, 1.4408, 1.0460, DN 32-50, PN40, all fluids
			ANSI, body, A105, A182 F316L, A351 CF8M, A216 WCC, NPS 1½-2, Class 300, all fluids
		2406	DIN EN, body, EN-GJL-250, DN 150, PN 16, fluids G2, L2, L1 <sup>1)</sup>
			DIN EN, body, 1.0619 and 1.4408, DN 32-150, PN 40, all fluids
			DIN EN, body, 1.0460 and 1.4404, DN 32-50, PN 40, all fluids
			ANSI, body, A126 B, NPS 6, Class 125, fluids G2, L2, L1 <sup>1)</sup>
			ANSI, body, A216 WCC and A351 CF8M, NPS 2½-6, Class 150, all fluids
			ANSI, body, A216 WCC and A351 CF8M, NPS 1½-6, Class 300, all fluids
			ANSI, body, A105 and A182 F316L, NPS 1½-2, Class 300, all fluids
			DIN EN, body, EN-GJS-400-18-LT, DN 100, PN25, fluids G2, L2, L1 <sup>1)</sup>
	41	2412 2417	DIN EN, body, 1.0619 and 1.4408, DN 32-100, PN 40, all fluids
			DIN EN, body, 1.0460, 1.4571 and 1.4404, DN 32-80, PN 40, all fluids
		2417	ANSI, body, A216 WCC and A351 CF8M, NPS 2½-4, Class 150, all fluids
			ANSI, body, A216 WCC and A351 CF8M, NPS 1½-4, Class 300, all fluids
			ANSI, body, A105 and A182 F316L, NPS 1½-3, Class 300, all fluids
			DIN EN, body, EN-GJL-250, DN 150, PN16, fluids G2, L2, L1 <sup>1)</sup>
			DIN EN, body, 1.0619 und 1.4408, DN 32-150, PN 40, all fluids
			ANSI, body, A126 B, NPS 6, Class 125, fluids G2, L2, L1 <sup>1)</sup>
			ANSI, body, A216 WCC und A351 CF8M, NPS 2½-6, Class 150, all fluids
			ANSI, body, A216 WCC und A351 CF8M, NPS 1½-6, Class 300, all fluids
	---	2404-1	DIN EN, body, EN-GJL-250, DN 150-400, PN 16, fluids G2, L2, L1 <sup>1)</sup>
			DIN EN, body, 1.0619 und 1.4408, DN 65-400, PN 16, all fluids
		2404-2	DIN EN, body, 1.0619 und 1.4408, DN 65-400, PN 40, all fluids
			ANSI, body, A126 B, NPS 6-16, Class 125, fluids G2, L2, L1 <sup>1)</sup>
			ANSI, body, A216 WCC und A351 CF8M, NPS 2½-16, Class 150, all fluids
			ANSI, body, A216 WCC und A351 CF8M, NPS 2½-10, Class 300, all fluids
			DIN EN, body, EN-GJL-250, DN 250, PN 16, fluids G2, L2 <sup>1)</sup>
			DIN EN, body, 1.0619, DN 250, PN 16, fluids G2, L2 <sup>1)</sup>
			DIN EN, body, 1.0619, DN 200-250, PN 25, fluids G2, L2 <sup>1)</sup>
			DIN EN, body, 1.0619, DN 125-250, PN 40, fluids G2, L2 <sup>1)</sup>
	---	2331 2337	DIN EN, body, EN-GJL-250, DN 150-400, PN 16, fluids G2, L2, L1 <sup>1)</sup>
			DIN EN, body, EN-GJS-400-18-LT, DN 100-150, PN 25, fluids G2, L2, L1 <sup>1)</sup>
		2333 2335	DIN EN, body, 1.0619 and 1.4408, DN 65-400, PN 16, all fluids
			DIN EN, body, 1.0619 and 1.4408, DN 200-400, PN 25, all fluids
			DIN EN, body, 1.0619 and 1.4408, DN 65-400, PN 40, all fluids
			ANSI, body, A126 B, NPS 6-16, Class 125, fluids G2, L2, L1 <sup>1)</sup>
			ANSI, body, A216 WCC and A351 CF8M, NPS 2½-16, Class 150, all fluids
			ANSI, body, A216 WCC and A351 CF8M, NPS 2½-16, Class 300, all fluids
			DIN EN, body, EN-GJL-250, DN 150-400, PN 16, fluids G2, L2, L1 <sup>1)</sup>
			DIN EN, body, EN-GJS-400-18-LT, DN 150, PN 16, fluids G2, L2, L1 <sup>1)</sup>
---	2334	DIN EN, body, EN-GJS-400-18-LT, DN 100-150, PN 25, fluids G2, L2, L1 <sup>1)</sup>	
		DIN EN, body, 1.0619 and 1.4408, DN 65-400, PN 16, all fluids	
	2373 2375	DIN EN, body, 1.0619 and 1.4408, DN 200-400, PN 25, all fluids	
		DIN EN, body, 1.0619 und 1.4408, DN 65-400, PN 40, all fluids	
		ANSI, body, A126 B, NPS 6-16, Class 125, fluids G2, L2, L1 <sup>1)</sup>	
		ANSI, body, A216 WCC and A351 CF8M, NPS 2½-16, Class 150, all fluids	
		ANSI, body, A216 WCC and A351 CF8M, NPS 2½-16, Class 300, all fluids	
		DIN EN, body, 1.4469 and 1.4470, DN 32-50, PN 40, all fluids	
		ANSI, body, A995 5A and A995 4A, NPS 1½-2, Class 300, all fluids	
		DIN EN, body, EN-GJL-250, DN 150-250, PN 16, fluids G2, L2, L1 <sup>1)</sup>	
Strainers	2N/2NI	2602	DIN EN, body, EN-GJS-400-18-LT, DN 150, PN 16, fluids G2, L2, L1 <sup>1)</sup>
			DIN EN, body, EN-GJS-400-18-LT, DN 100-150, PN 25, fluids G2, L2, L1 <sup>1)</sup>
			DIN EN, body, EN-GJS-400-18-LT, DN 100-150, PN 25, fluids G2, L2, L1 <sup>1)</sup>
			DIN EN, body, 1.0619, DN 100-250, PN 16, all fluids

Revision 00



EU DECLARATION OF CONFORMITY  
TRANSLATION



Devices	Series	Type	Version
Strainers	2N/2NI	2602	DIN EN, body, 1.0619, DN 200-250, PN 25, all fluids
			DIN EN, body, 1.0619, DN 32-250, PN 40, all fluids
			DIN EN, body, 1.4408, DN 65-100, PN 16, all fluids
			DIN EN, body, 1.4408, DN 32-100, PN 40, all fluids

<sup>1)</sup> Gases according to Article 4(1)(c.i), second indent  
Liquids according to Article 4(1)(c.ii)


That the products mentioned above comply with the requirements of the following standards:

Directive of the European Parliament and of the Council on the harmonization of the laws of the Member States relating to the making available on the market of pressure equipment	2014/68/EU	of 15. May 2014
Applied conformity assessment procedure for fluids according to Article 4(1)	Module H	by Bureau Veritas 0062

The manufacturer's quality management system is monitored by the following notified body:  
**Bureau Veritas Services SAS, 8 Cours du Triangle, 92800 PUTEAUX – LA DEFENSE, FRANCE**  
Technical standards applied: DIN EN 12516-2, DIN EN 12516-3, ASME B16.34

Manufacturer: SAMSON AG, Weismuellerstrasse 3, 60314 Frankfurt am Main, Germany

Frankfurt am Main, 14. October 2022

  
\_\_\_\_\_  
ppa. Norbert Tollas  
Senior Vice President  
Global Operations

  
\_\_\_\_\_  
i.v. Peter Scheermesser  
Director  
Product Maintenance & Engineered Products

Revision 00

Classification: Public · SAMSON AKTIENGESELLSCHAFT · Weismuellerstrasse 3 · 60314 Frankfurt am Main, Germany

Page 3 of 3

EU DECLARATION OF CONFORMITY  
TRANSLATION



**Declaration of Conformity of Final Machinery**

in accordance with Annex II, section 1.A. of the Directive 2006/42/EC

For the following product:

**Type 2422/2424 Pressure Reducing Valve consisting of Type 2422 Valve and Type 2424 Actuator**

We hereby declare that the machinery mentioned above complies with all applicable requirements stipulated in Machinery Directive 2006/42/EC.

For product descriptions refer to:

- Type 2422/2424 Pressure Reducing Valve: Mounting and Operating Instructions EB 2547

Referenced technical standards and/or specifications:

- VCI, VDMA, VGB: "Leitfaden Maschinenrichtlinie (2006/42/EG) – Bedeutung für Armaturen, Mai 2018" [German only]
- VCI, VDMA, VGB: "Zusatzdokument zum Leitfaden Maschinenrichtlinie (2006/42/EG) – Bedeutung für Armaturen vom Mai 2018" [German only], based on DIN EN ISO 12100:2011-03


Comment:

Information on residual risks of the machinery can be found in the mounting and operating instructions of the valve and actuator as well as in the referenced documents listed in the mounting and operating instructions.

Persons authorized to compile the technical file:

SAMSON AG, Weismüllerstraße 3, 60314 Frankfurt am Main, Germany  
Frankfurt am Main, 24 September 2021

  
\_\_\_\_\_  
Stephan Giesen  
Director  
Product Management

  
\_\_\_\_\_  
i. V. P. Scheermesser  
Peter Scheermesser  
Director  
Product Life Cycle Management and ETO  
Development for Valves and Actuators

Revision no. 00

DECLARATION OF INCORPORATION  
TRANSLATION



**Declaration of Incorporation in Compliance with Machinery Directive 2006/42/EC**

For the following product: **Type 2422 Valve**

We certify that the Type 2422 Valve is partly completed machinery as defined in the Machinery Directive 2006/42/EC and that the safety requirements stipulated in Annex I, 1.1.2, 1.1.3, 1.1.5, 1.3.2, 1.3.4 and 1.3.7 are observed. The relevant technical documentation described in Annex VII, part B has been compiled.

Products we supply must not be put into service until the final machinery into which it is to be incorporated has been declared in conformity with the provisions of the Machinery Directive 2006/42/EC.

Operators are obliged to install the products observing the accepted industry codes and practices (good engineering practice) as well as the mounting and operating instructions. Operators must take appropriate precautions to prevent hazards that could be caused by the process medium and operating pressure in the valve as well as by the signal pressure and moving parts.

The permissible limits of application and mounting instructions for the products are specified in the associated mounting and operating instructions; the documents are available in electronic form on the Internet at [www.samsongroup.com](http://www.samsongroup.com).

For product descriptions refer to:

- Types 1, 4 and 4u Temperature Regulators: Mounting and Operating Instructions EB 2111/2121/2123
- Type 2404-2 Excess Pressure Valve with pilot valve: Mounting and Operating Instructions EB 2540
- Type 2422/2424 Pressure Reducing Valve: Mounting and Operating Instructions EB 2547
- Type 2422/2425 Excess Pressure Valve: Mounting and Operating Instructions EB 2549
- Type 2333 Pressure Reducing Valve with pilot valve: Mounting and Operating Instructions EB 2552-1
- Type 2335 Excess Pressure Valve with pilot valve: Mounting and Operating Instructions EB 2552-2
- Type 2334 Universal Regulator with pilot valve: Mounting and Operating Instructions EB 3210
- Type 42-20, Type 42-25 Differential Pressure Regulators: Mounting and Operating Instructions EB 3007
- Type 42-24, Type 42-28 Differential Pressure Regulators: Mounting and Operating Instructions EB 3003
- Safety Temperature Limiters (STL) with Type 2212 Safety Thermostat: Mounting and Operating Instructions EB 2046
- Type 2213 Safety Temperature Monitor (STM): Mounting and Operating Instructions EB 2043

Referenced technical standards and/or specifications:

- VCI, VDMA, VGB: "Leitfaden Maschinenrichtlinie (2006/42/EG) – Bedeutung für Armaturen, Mai 2018" [German only]
- VCI, VDMA, VGB: "Zusatzdokument zum Leitfaden Maschinenrichtlinie (2006/42/EG) – Bedeutung für Armaturen vom Mai 2018" [German only], based on DIN EN ISO 12100:2011-03

Comments:

- See mounting and operating instructions for residual hazards.
- Also observe the referenced documents listed in the mounting and operating instructions.

Persons authorized to compile the technical file:

SAMSON AG, Weismüllerstraße 3, 60314 Frankfurt am Main, Germany  
Frankfurt am Main, 10 November 2021

Stephan Giesen  
Director  
Product Management

Peter Scheermesser  
Director  
Product Life Cycle Management and ETO  
Development for Valves and Actuators

Revision no. 00

Classification: Public · SAMSON AKTIENGESELLSCHAFT · Weismüllerstraße 3 · 60314 Frankfurt, Germany

Page 1 of 1

DECLARATION OF INCORPORATION  
TRANSLATION



**Declaration of Incorporation in Compliance with Machinery Directive 2006/42/EC**

For the following product:  
**Type 2424 Actuators**

We certify that the Type 2424 Actuator is partly completed machine as defined in the Machinery Directive 2006/42/EC and that the safety requirements stipulated in Annex I, 1.1.2, 1.1.3, 1.1.5, 1.3.2, 1.3.4 and 1.3.7 are observed. The relevant technical documentation described in Annex VII, part B has been compiled.

Products we supply must not be put into service until the final machinery into which it is to be incorporated has been declared in conformity with the provisions of the Machinery Directive 2006/42/EC.

Operators are obliged to install the products observing the accepted industry codes and practices (good engineering practice) as well as the mounting and operating instructions. Operators must take appropriate precautions to prevent hazards that could be caused by the process medium and operating pressure in the valve as well as by the signal pressure and moving parts.

The permissible limits of application and mounting instructions for the products are specified in the associated data sheets as well as the mounting and operating instructions; the documents are available in electronic form on the Internet at [www.samsongroup.com](http://www.samsongroup.com).

For product descriptions refer to:

- Type 42-24 Differential Pressure Regulator: Mounting and Operating Instructions EB 3003
- Type 2422/2424 Pressure Reducing Valve: Mounting and Operating Instructions EB 2549
- Type 42-34 Differential Pressure Limiter with Flow Limitation: Mounting and Operating Instructions EB 3013

Referenced technical standards and/or specifications:

- VCI, VDMA, VGB: "Leitfaden Maschinenrichtlinie (2006/42/EG) – Bedeutung für Armaturen, Mai 2018" [German only]
- VCI, VDMA, VGB: "Zusatzdokument zum Leitfaden Maschinenrichtlinie (2006/42/EG) – Bedeutung für Armaturen vom Mai 2018" [German only], based on DIN EN ISO 12100:2011-03

Comments:

- See mounting and operating instructions for residual hazards.
- Also observe the referenced documents listed in the mounting and operating instructions.

Persons authorized to compile the technical file:

SAMSON AG, Weismüllerstraße 3, 60314 Frankfurt am Main, Germany  
Frankfurt am Main, 20 September 2021

*iv. d. G.*  
Stephan Giesen  
Director  
Product Management

*i.v. P. Scheermesser*  
Peter Scheermesser  
Director  
Product Life Cycle Management and ETO Development for  
Valves and Actuators

Revision no. 00

**UK** UK DECLARATION OF CONFORMITY  
**CA** ORIGINAL



**The Pressure Equipment (Safety) Regulations 2016  
Module H / N° CE-0062-PED-H-SAM 001-22-DEU**

For the following products, SAMSON hereby declares under its sole responsibility:

Devices	Type	Version
Self-operated Regulators	2422	DIN EN, body, EN-GJL-250, DN 150-400, PN 16, fluids G2, L2, L1 <sup>1)</sup>
		DIN EN, body, EN-GJS-400-18-LT, DN 100-150, PN 25, fluids G2, L2, L1 <sup>1)</sup>
		DIN EN, body, 1.0619 and 1.4408, DN 65-400, PN 16, all fluids
		DIN EN, body, 1.0619 and 1.4408, DN 200-400, PN 25, all fluids
		DIN EN, body, 1.0619 and 1.4408, DN 32-400, PN 40, all fluids
		DIN EN, body, 1.0460, DN 40-50, PN 40, all Fluids
		DIN EN, body, 1.6220+QT, DN 65-250, PN 16, all fluids
		DIN EN, body, 1.6220+QT, DN 200-250, PN 25, all fluids
		DIN EN, body, 1.6220+QT, DN 32-250, PN 40, all fluids
		ANSI, body, A126 B, NPS 6-16, Class 125, fluids G2, L2, L1 <sup>1)</sup>
		ANSI, body, A216 WCC and A351CF8M, NPS 2½-16, Class 150, all fluids
		ANSI, body, A216 WCC and A351CF8M, NPS 1½-16, Class 300, all fluids
		ANSI, body, A105, NPS 1½-2, Class 300, all fluids
		ANSI, body, A352 LCC, NPS 2½-10, Class 150, all fluids
ANSI, body, A352 LCC, NPS 1½-10, Class 300, all fluids		

<sup>1)</sup> Gases according to Article 4(1)(c.i), second indent // Liquids according to Article 4(1)(c.ii) acc. to PE(S)R 2016

The object of the declaration described above is in conformity with the relevant Union harmonization legislation:

Legislation: STATUTORY INSTRUMENTS – 2016 No. 1105 – CONSUMER PROTECTION HEALTH AND SAFETY – The Pressure Equipment (Safety) Regulations 2016	PE(S)R 2016	2022
Applied conformity assessment procedure for fluids according to Article 4(1)	Module H	Certificate-No.: N°CE-0062-PED-H-SAM 001-22-DEU by Bureau Veritas 0062

The manufacturer's quality management system is monitored by the following approved body:  
**Bureau Veritas Services SAS, 8 Cours du Triangle, 92800 PUTEAUX – LA DEFENSE (No. 0062)**  
Designated Standards applied: EN 12516-2, EN 12516-3;  
Other technical standards applied: ASME B16.34

**Manufacturer:**  
**SAMSON AKTIENGESELLSCHAFT, Weismüllerstraße 3, 60314 Frankfurt am Main, Germany**  
Frankfurt am Main, 8<sup>th</sup> November 2022

*Norbert Tollas*  
\_\_\_\_\_  
Norbert Tollas

Senior Vice President  
Global Operations

*i. v. P. Peter Scheermesser*  
\_\_\_\_\_  
Peter Scheermesser

Director  
Product Maintenance & Engineered Products



**The Pressure Equipment (Safety) Regulations 2016  
Module A**

For the following products, SAMSON hereby declares under its sole responsibility:

Devices	Type	Version
Self-operated Regulators	2422	DIN EN, body, EN-GJL-250 and EN-GJS-400-18-LT, DN 65-125, PN 16, fluids G2, L2, L1 <sup>1)</sup>
		DIN EN, body, EN-GJS-400-18-LT, DN 50-80, PN 25, fluids G2, L2, L1 <sup>1)</sup>
		DIN EN, body, 1.0619, 1.4408 and 1.6220+QT, DN 32-50, PN 16, all fluids
		ANSI, body, A126 B, NPS 3-4, Class 125, fluids G2, L2, L1 <sup>1)</sup>
		ANSI, body, A216 WCC, A351 CF8M and A352 LCC, NPS 1½-2, Class 150, all fluids

<sup>1)</sup> Gases according to Article 4(1)(c.i), second indent // Liquids according to Article 4(1)(c.ii) acc. to PE(S)R 2016

The object of the declaration described above is in conformity with the relevant Union harmonization legislation:

Legislation: STATUTORY INSTRUMENTS – 2016 No. 1105 – CONSUMER PROTECTION HEALTH AND SAFETY – The Pressure Equipment (Safety) Regulations 2016	PE(S)R 2016
Applied conformity assessment procedure for fluids according to Article 4(1)	Module A

Technical standards applied: EN 12516-2, EN 12516-3;  
Other technical standards applied: ASME B16.34

Manufacturer:  
SAMSON AKTIENGESELLSCHAFT, Weismüllerstraße 3, 60314 Frankfurt am Main, Germany  
Frankfurt am Main, 8<sup>th</sup> November 2022

Norbert Tollas  
Senior Vice President  
Global Operations

Peter Scheermesser  
Director  
Product Maintenance & Engineered Products

**UK** UK DECLARATION OF CONFORMITY  
**CA** ORIGINAL



**Declaration of Conformity of Final Machinery**

in accordance with Schedule 2 Part 2 Annex II, section 1.A. of the Directive 2008 No. 1597 The Supply of Machinery (Safety) Regulations 2008

For the following product:

**Type 2422/2424 Pressure Reducing Valve consisting of Type 2422 Valve and Type 2424 Actuator**

We hereby declare that the machinery mentioned above complies with all applicable requirements stipulated in Directive 2008 No. 1597 The Supply of Machinery (Safety) Regulations 2008.

For product descriptions refer to:

- Type 2422/2424 Pressure Reducing Valve: Mounting and Operating Instructions EB 2547

Referenced technical standards and/or specifications:

- VCI, VDMA, VGB: "Leitfaden Maschinenrichtlinie (2006/42/EG) – Bedeutung für Armaturen, Mai 2018" [German only]
- VCI, VDMA, VGB: "Zusatzdokument zum „Leitfaden Maschinenrichtlinie (2006/42/EG) – Bedeutung für Armaturen vom Mai 2018" [German only], based on DIN EN ISO 12100:2011-03

Comment:

Information on residual risks of the machinery can be found in the mounting and operating instructions of the valve and actuator as well as in the referenced documents listed in the mounting and operating instructions.

Persons authorized to compile the technical file:  
SAMSON AG, Weismüllerstraße 3, 60314 Frankfurt am Main, Germany  
Frankfurt am Main, 27 April 2022

Norbert Tollas  
Senior Vice President  
Global Operations

Peter Scheermesser  
Director  
Product Maintenance & Engineered Products

Revision 00

Classification: Public · SAMSON AKTIENGESELLSCHAFT · Weismuellerstrasse 3 · 60314 Frankfurt am Main, Germany

Page 1 of 1



UK DECLARATION OF INCORPORATION  
ORIGINAL



**Declaration of Incorporation of Partly Completed Machinery**

in accordance with Schedule 2 Part 2 Annex II, section 1.B. of the Directive 2008 No. 1597 Supply of Machinery (Safety) Regulations 2008

For the following product:  
**Type 2422 Valve**

We certify that the Type 2422 Valve is partly completed machinery as defined in the in Directive 2008 No. 1597 Supply of Machinery (Safety) Regulations 2008 and that the safety requirements stipulated in Annex I, 1.1.2, 1.1.3, 1.1.5, 1.3.2, 1.3.4 and 1.3.7 are observed. The relevant technical documentation described in Annex VII, (Part 7 of Schedule 2) part B has been compiled.

Products we supply must not be put into service until the final machinery into which it is to be incorporated has been declared in conformity with the provisions of the Directive 2008 No. 1597 Supply of Machinery (Safety) Regulations 2008.

Operators are obliged to install the products observing the accepted industry codes and practices (good engineering practice) as well as the mounting and operating instructions. Operators must take appropriate precautions to prevent hazards that could be caused by the process medium and operating pressure in the valve as well as by the signal pressure and moving parts.

The permissible limits of application and mounting instructions for the products are specified in the associated mounting and operating instructions; the documents are available in electronic form on the Internet at [www.samsongroup.com](http://www.samsongroup.com).

For product descriptions refer to:

- Types 1, 4 and 4u Temperature Regulators: Mounting and Operating Instructions EB 2111/2121/2123
- Type 2404-2 Excess Pressure Valve with pilot valve: Mounting and Operating Instructions EB 2540
- Type 2422/2424 Pressure Reducing Valve: Mounting and Operating Instructions EB 2547
- Type 2422/2425 Excess Pressure Valve: Mounting and Operating Instructions EB 2549
- Type 2333 Pressure Reducing Valve with pilot valve: Mounting and Operating Instructions EB 2552-1
- Type 2335 Excess Pressure Valve with pilot valve: Mounting and Operating Instructions EB 2552-2
- Type 2334 Universal Regulator with pilot valve: Mounting and Operating Instructions EB 3210
- Type 42-20, Type 42-25 Differential Pressure Regulators: Mounting and Operating Instructions EB 3007
- Type 42-24, Type 42-28 Differential Pressure Regulators: Mounting and Operating Instructions EB 3003
- Safety Temperature Limiters (STL) with Type 2212 Safety Thermostat:  
Mounting and Operating Instructions EB 2046
- Type 2213 Safety Temperature Monitor (STM): Mounting and Operating Instructions EB 2043

Referenced technical standards and/or specifications:

- VCI, VDMA, VGB: "Leitfaden Maschinenrichtlinie (2006/42/EG) – Bedeutung für Armaturen, Mai 2018" [German only]
- VCI, VDMA, VGB: "Zusatzdokument zum Leitfaden Maschinenrichtlinie (2006/42/EG) – Bedeutung für Armaturen vom Mai 2018" [German only], based on DIN EN ISO 12100:2011-03

Comments:

- See mounting and operating instructions for residual hazards.
- Also observe the referenced documents listed in the mounting and operating instructions.

Persons authorized to compile the technical file:

SAMSON AG, Weismüllerstraße 3, 60314 Frankfurt am Main, Germany  
Frankfurt am Main, 27 April 2022

Stephan Giesen  
Director  
Product Management

Peter Scheermesser  
Director  
Product Maintenance & Engineered Products

Revision 00



**UK** UK DECLARATION OF INCORPORATION  
**CA** ORIGINAL



**Declaration of Incorporation of Partly Completed Machinery**

in accordance with Schedule 2 Part 2 Annex II, section 1.B. of the Directive 2008 No. 1597 Supply of Machinery (Safety) Regulations 2008

For the following product:  
**Type 2424 Actuator**

We certify that the Type 2424 Actuator is partly completed machinery as defined in the in Directive 2008 No. 1597 Supply of Machinery (Safety) Regulations 2008 and that the safety requirements stipulated in Annex I, 1.1.2, 1.1.3, 1.1.5, 1.3.2, 1.3.4 and 1.3.7 are observed. The relevant technical documentation described in Annex VII, (Part 7 of Schedule 2) part B has been compiled.

Products we supply must not be put into service until the final machinery into which it is to be incorporated has been declared in conformity with the provisions of the Directive 2008 No. 1597 Supply of Machinery (Safety) Regulations 2008.

Operators are obliged to install the products observing the accepted industry codes and practices (good engineering practice) as well as the mounting and operating instructions. Operators must take appropriate precautions to prevent hazards that could be caused by the process medium and operating pressure in the valve as well as by the signal pressure and moving parts.

The permissible limits of application and mounting instructions for the products are specified in the associated mounting and operating instructions; the documents are available in electronic form on the Internet at [www.samsongroup.com](http://www.samsongroup.com).

For product descriptions refer to:

- Type 42-24 Differential Pressure Regulator: Mounting and Operating Instructions EB 3003
- Type 2422/2424 Pressure Reducing Valve: Mounting and Operating Instructions EB 2547
- Type 42-34 Differential Pressure Limiter with Flow Limitation: Mounting and Operating Instructions EB 3013

Referenced technical standards and/or specifications:

- VCI, VDMA, VGB: "Leitfaden Maschinenrichtlinie (2006/42/EG) – Bedeutung für Armaturen, Mai 2018" [German only]
- VCI, VDMA, VGB: "Zusatzdokument zum Leitfaden Maschinenrichtlinie (2006/42/EG) – Bedeutung für Armaturen vom Mai 2018" [German only], based on DIN EN ISO 12100:2011-03

Comments:

- See mounting and operating instructions for residual hazards.
- Also observe the referenced documents listed in the mounting and operating instructions.

Persons authorized to compile the technical file:

SAMSON AG, Weismüllerstraße 3, 60314 Frankfurt am Main, Germany  
Frankfurt am Main, 22 December 2022

Stephan Giesen  
Director  
Product Management

Peter Scheermesser  
Director  
Product Maintenance & Engineered Products

Revision 00

Classification: Public · SAMSON AKTIENGESELLSCHAFT · Weismuellerstrasse 3 · 60314 Frankfurt am Main, Germany

Page 1 of 1

**EB 2547 EN**



SAMSON AKTIENGESELLSCHAFT  
Weismüllerstraße 3 · 60314 Frankfurt am Main, Germany  
Phone: +49 69 4009-0 · Fax: +49 69 4009-1507  
samson@samsongroup.com · www.samsongroup.com